

WA49B5205AW

SAMSUNG

Samsung 4.9 cu. ft. Capacity Top Load Washer with ActiveWave™ Agitator and Active WaterJet



Features

- Large 4.9 cu. ft. Capacity
- ActiveWave™ Agitator
- Active WaterJet
- EZ Access Tub
- Deep Fill
- Smart Care*
- Vibration Reduction Technology+
- Swirl+ Tub Interior
- Self Clean
- Soft-Close Lid
- ENERGY STAR® Certified
- 10 Preset Washing Cycles
- 7 Additional Washing Options
- 5 Temperature Levels
- Ice Blue LED Display
- 750 RPM Maximum Spin Speed
- Direct Drive Motor

Convenience

- Child Lock
- Dispenser Trays: Main Wash, Softener, Bleach
- EZ Drawer Dispenser

Ratings



ENERGY STAR® Rated:
IMEF = 2.06
IWF = 4.3
93 kWh/yr

Electrical Requirements

120 V / 60 Hz
15 Amps

Specifications

10 Preset Washing Cycles:

Normal, Bedding/Waterproof, Heavy Duty, Permanent Press, Brilliant Whites, Delicates, Quick Wash, Self Clean, Rinse + Spin, Spin Only

7 Additional Washing Options:

Delay End, Presoak, Sound, Child Lock, Fabric Softener, Deep Fill, Smart Care

5 Temperature Settings:

Extra Hot, Hot, Warm, Cool, Cold

5 Spin Settings:

High, Medium High, Medium, Low, No Spin

5 Soil Settings:

Heavy, Medium Heavy, Normal, Medium Low, Light

Warranty

One (1) Year Parts and Labor
Three (3) Years Stainless Steel Tub (Part Only)
Ten (10) Years DD Motor (Part Only)

Product Dimensions & Weight (WxHxD)

Dimensions: 27⁹/₁₆" x 44⁹/₁₆" x 29⁷/₁₆"
Weight: 132.3 lbs

Shipping Dimensions & Weight (WxHxD)

Dimensions: 30¹/₈" x 46⁷/₈" x 31¹/₄"
Weight: 141.1 lbs

Available Color



White

Washer	Model #	UPC Code
White	WA49B5205AW	887276XXXXXX
Matching Impeller Washer		
White	WA50R5200AW	887276300528
Matching Electric Dryer		
White	DVE50R5200W	887276300733
Matching Gas Dryer		
White	DVG50R5200W	887276300764

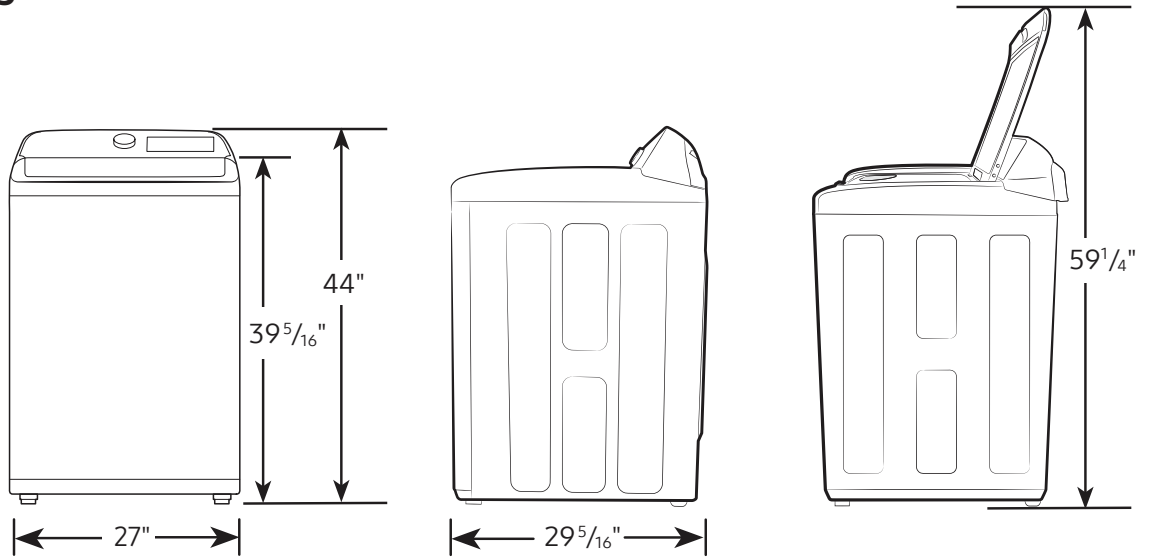
WA49B5205AW

SAMSUNG

Samsung 4.9 cu. ft. Capacity Top Load Washer with ActiveWave™ Agitator and Active WaterJet

Dimensions

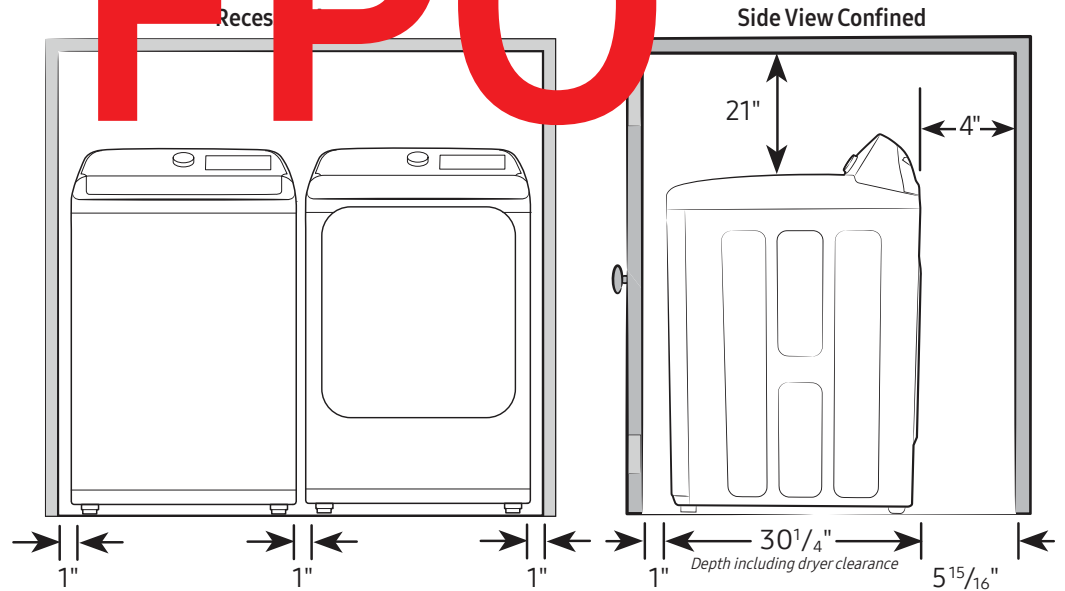
Required dimensions for installation:



Installation Specifications – Side-by-Side or Stand-alone

If the washer and dryer are installed together or the dryer alone, the closet front must have two unobstructed air openings for a combined minimum total area of 72-inch². Your washer alone does not require specific air opening.

Alcove or closet installation
Minimum clearance for
closet and alcove installations:

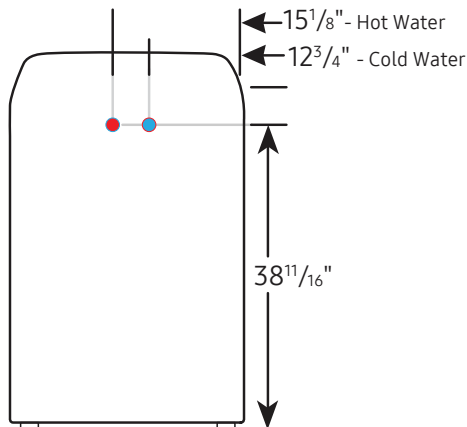


Connection Dimensions

Back view of washer

LEGEND:

- Hot Water Connection
- Cold Water Connection



Actual color may vary. Design, specifications, and color availability are subject to change without notice. Non-metric weights and measurements are approximate.

©2021 Samsung Electronics America, Inc.,
85 Challenger Road, Ridgefield Park, NJ 07660.
Tel: 800-SAMSUNG.samsung.com. Samsung is a
registered trademark of Samsung Electronics Co., Ltd.