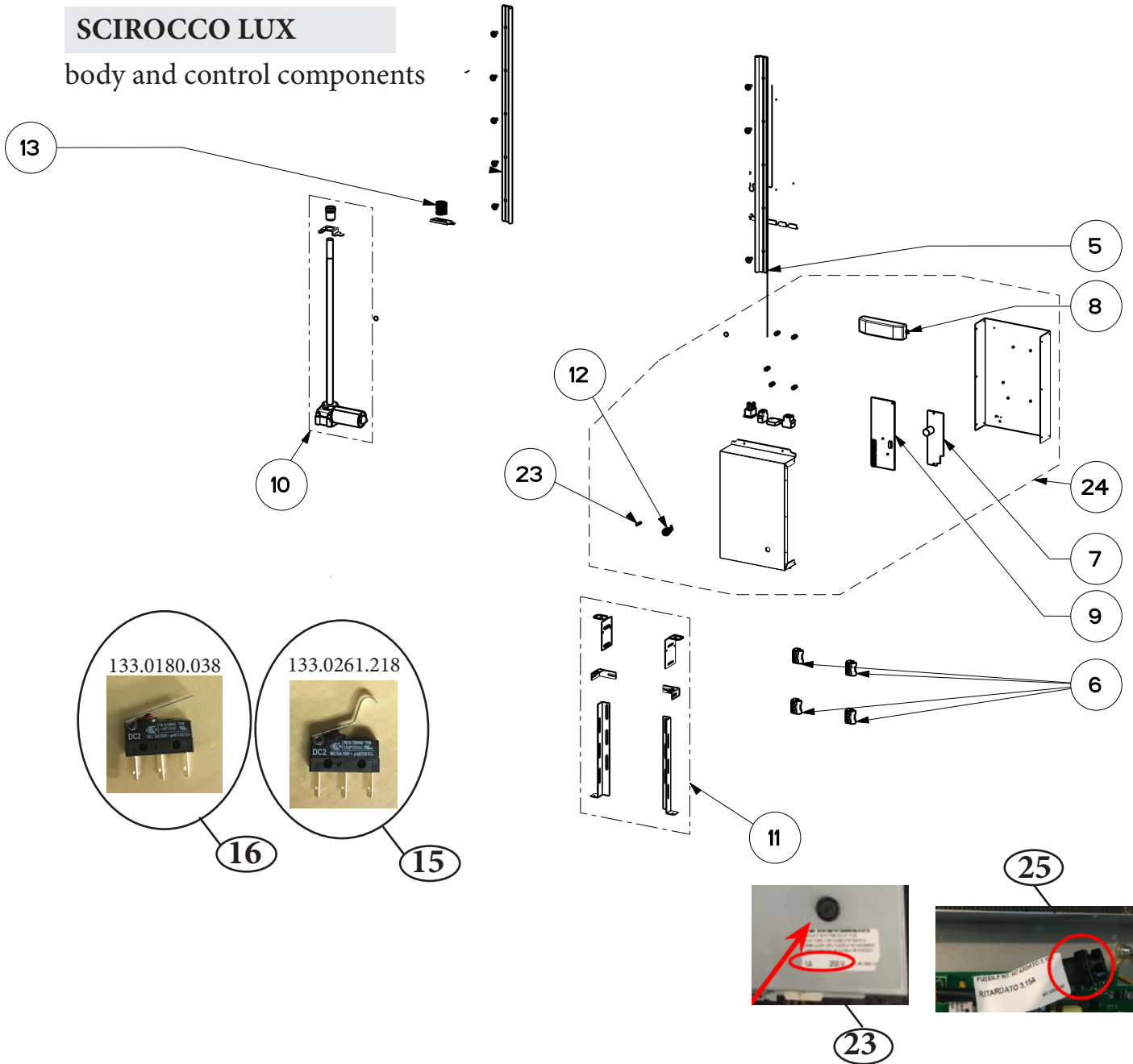


# SCIROCCO LUX

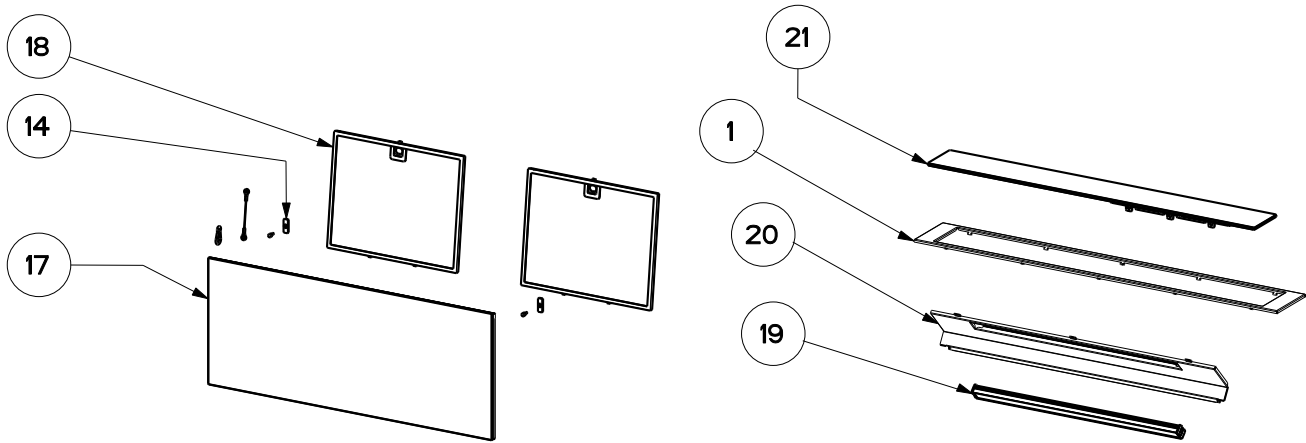
body and control components



| Key | Description                   | SCLX3015BKNB-B | SCLX3615BKNB-B | SCLX3015SSNB-B | SCLX3615SSNB-B | Qty Req. |
|-----|-------------------------------|----------------|----------------|----------------|----------------|----------|
|     |                               | 30 Black       | 36 Black       | 30 SS / GR     | 36 SS / GR     |          |
| 5   | Sliding Guide Support Kit     | 133.0261.212   | 133.0261.212   | 133.0261.212   | 133.0261.212   | 2        |
| 6   | Body Fixing Support           | 133.0261.213   | 133.0261.213   | 133.0261.213   | 133.0261.213   | 2        |
| 7   | Gear Motor Board              | 133.0359.745   | 133.0359.745   | 133.0359.745   | 133.0359.745   | 1        |
| 8   | Transformer                   | 133.0171.826   | 133.0171.826   | 133.0171.826   | 133.0171.826   | 1        |
| 9   | Control Board                 | 133.0477.150   | 133.0477.150   | 133.0477.150   | 133.0477.150   | 1        |
| 10  | Plenum Rise Drive Motor       | 133.0261.216   | 133.0261.216   | 133.0261.216   | 133.0261.216   | 1        |
| 11  | Installation Hardware         | 133.0497.298   | 133.0497.298   | 133.0497.298   | 133.0497.298   | 1        |
| 12  | Fuse holder                   | 133.0315.854   | 133.0315.854   | 133.0315.854   | 133.0315.854   | 2        |
| 13  | Spring                        | 133.0261.217   | 133.0261.217   | 133.0261.217   | 133.0261.217   | 1        |
| 15  | Curved Plenum Arm Microswitch | 133.0261.218   | 133.0261.218   | 133.0261.218   | 133.0261.218   | 2        |
| 16  | Flat Plenum Arm Microswitch   | 133.0180.038   | 133.0180.038   | 133.0180.038   | 133.0180.038   | 1        |
| 23  | Fuse Kit Plenum Drive Motor   | 133.0315.855   | 133.0315.855   | 133.0315.855   | 133.0315.855   | 1        |
| 24  | Control Box Kit               | 133.0477.262   | 133.0477.262   | 133.0477.262   | 133.0477.262   | 1        |
| 25  | Fuse Kit Gear Motor Board     | 133.0458.668   | 133.0458.668   | 133.0458.668   | 133.0458.668   | 1        |
| 199 | Control Board                 | 133.0314.629   | 133.0314.629   | 133.0314.629   | 133.0314.629   | 1        |

# SCIROCCO LUX

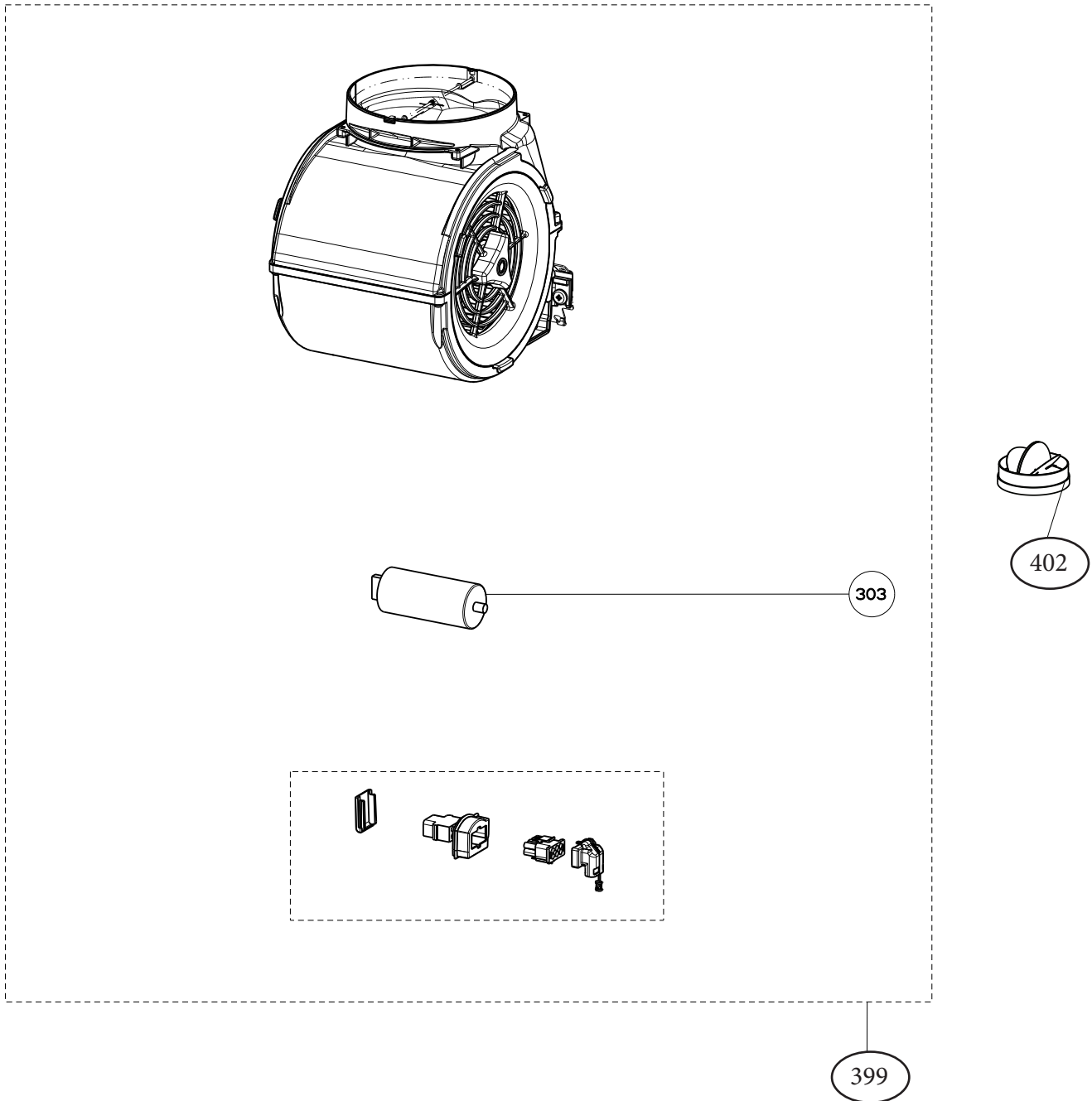
trim and filter components



|     |                    | SCLX3015BKNB-B | SCLX3615BKNB-B | SCLX3015SSNB-B | SCLX3615SSNB-B |          |
|-----|--------------------|----------------|----------------|----------------|----------------|----------|
| Key | Description        | 30 Black       | 36 Black       | 30 SS / GR     | 36 SS / GR     | Qty Req. |
| 1   | Top strip frame    | 133.0481.976   | 133.0261.170   | 133.0481.976   | 133.0261.170   | 1        |
| 14  | Front panel magnet | 133.0203.760   | 133.0203.760   | 133.0203.760   | 133.0203.760   | 2        |
| 17  | Front Panel Glass  | 133.0482.011   | 133.0261.219   | 133.0482.015   | 133.0482.013   | 1        |
| 18  | Grease Filter      | 133.0481.979   | 133.0261.220   | 133.0481.979   | 133.0261.220   | 2        |
| 19  | LED light          | 133.0303.548   | 133.0303.548   | 133.0303.548   | 133.0303.548   | 1        |
| 20  | LED Support        | 133.0481.980   | 133.0261.221   | 133.0481.980   | 133.0261.221   | 1        |
| 21  | Top trim glass     | 133.0482.012   | 133.0477.261   | 133.0482.016   | 133.0482.014   | 1        |

# SCIROCCO LUX

motor components for IBDD600-B



|     |                         | SCLX3015BKNB-B | SCLX3615BKNB-B | SCLX3015SSNB-B | SCLX3615SSNB-B |          |
|-----|-------------------------|----------------|----------------|----------------|----------------|----------|
| Key | Description             | 30 Black       | 36 Black       | 30 SS / GR     | 36 SS / GR     | Qty Req. |
| 303 | Capacitor (IBDD600-B)   | 133.0072.893   | 133.0072.893   | 133.0072.893   | 133.0072.893   | 1        |
| 399 | Motor Group (IBDD600-B) | 133.0056.182   | 133.0056.182   | 133.0056.182   | 133.0056.182   | 1        |
| 402 | Damper                  | 133.0055.994   | 133.0055.994   | 133.0055.994   | 133.0055.994   | 1        |