

15" TALL RISING DOWN DRAFT WITH GLASS AND LED LIGHTING. THE SCIROCCO LUX GLASS DOWN DRAFT IS PERFECT FOR INSTALLATIONS WHERE A CANOPY WOULD BE OBSTRUCTIVE, OR WALL INSTALLATIONS WHERE CABINET SPACE IS AT A PREMIUM. WITH A REVERSIBLE MOTOR BOX, THE HOOD CAN FIT BEHIND A RANGE TOP, COOKTOP OR COOKTOP/OVEN COMBO.



Note: The Scirocco Lux's trim on both models is stainless steel.

AVAILABLE MODELS

model #	size / color	cfm*
SCLX3015BKNB-B	30 Black Glass/SS	choose
SCLX3615BKNB-B	36 Black Glass/SS	choose
SCLX3015SSNB-B	30 Gray Glass/SS	choose
SCLX3615SSNB-B	36 Gray Glass/SS	choose

* choose a blower	cfm
IBDD600-B	600
RB900	900
RB1200	1200
AXP250	735

KEY FEATURES



LED Digital Touch Controls
Electronic controls with a LED indicator to show the current speed and two level lighting, 24 hour anti-pollution mode and filter wash

LED bulbs
Low consumption 1 watt LED bulbs with a dimmer light up your cooking but use very little energy



Pro Motor
The motor in this hood is surrounded in metal with all metal impellers for top performance



Perimetric Filter System
Perimetric filter increases efficiency and decreases noise levels

SCIROCCO LUX

DOWN DRAFT RANGE HOOD

FABER

AIR MATTERS

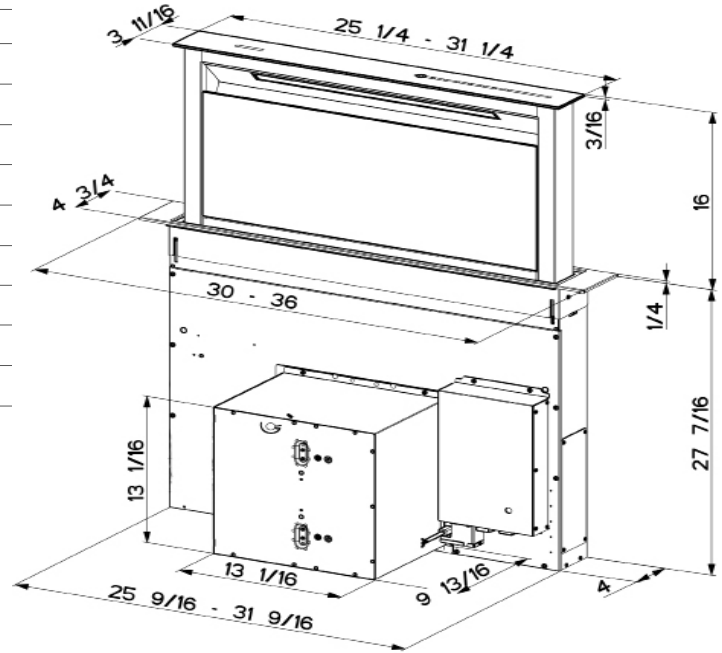
DIMENSIONS

SPECIFICATIONS

max rise height	16"
convertible to ductless / recirculating	yes - with DUCTSCIR
multiple ducting options	internal: left, right, down, forward, back remote - forward or back
reversible motor box	yes
hood width depth (36")	30"- 36" w 4" d
controls	digital soft touch control
lighting	LED light bar
ducting front/back	6" round (internal) or 10" round (remote)
grease filters	dishwasher safe mesh
Perimetric Filter/ SilentKit	yes
24 hour anti-pollution mode	yes
Pro Motor (metal impellers)	yes
10 minute intensive speed	yes

PERFORMANCE

SPEED	1	2	3	4	BOOST
CFM	150	350	450	500	560
Sones	1.5	2.5	3.5	4.5	6.5



ACCESSORIES

FILTERSCIR- Replacement Charcoal Filter Kit

High quality charcoal filter for use when recirculating the air back into the kitchen. Filters out odor and should be replaced every 6 months.

DUCTSCIR Ductless Conversion Kit

Converts the Scirocco Lux to ductless. The kit includes charcoal filters and a kick plate return register to vent back into the kitchen.

WIREBOXSCLX Fixed Wiring Box

Required to wire a remote blower to the Scirocco Lux.

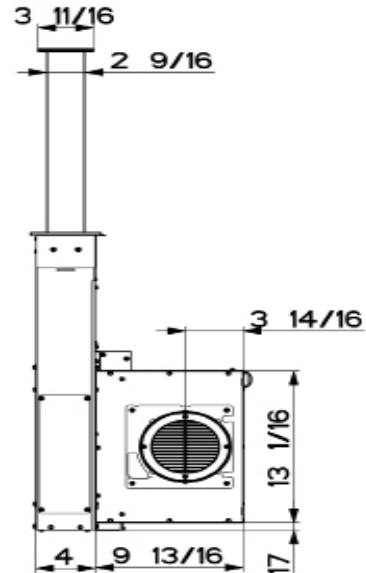
MUDAMPER6 / MUDAMPER8/ MUDAMER10 -

Universal Make-Up Air Damper Satisfies make-up air requirements, this kit uses an air switch to activate the make-up air damper to open and bring fresh air into the home when the hood fan is on. It then closes tightly when the hood is off. The CFM level is not reduced with this accessory. NOTE: MUDAMPER10 for use with 900/1200 cfm motors.

FLANGE10 10" Plate for Remote Blower

A 10" plate for connecting the remote blower to 10" round ducting. This is required for AXP250 & non-Faber remote blowers.

Overall



Side

WARNING! Product specifications are subject to change without notification. Consult the installation instructions before you begin installing this range hood. * Check local make up air codes for guidelines.

