

SCIROCCO LUX

Installation Instructions
Use and Care Information
Instructions d'installation
Utilisez et d'entretien

SCLX3015BKNB-B
SCLX3615BKNB-B
SCLX3015SSNB-B
SCLX3615SSNB-B

READ AND SAVE THESE INSTRUCTIONS BEFORE YOU START INSTALLING THIS RANGEHOOD

WARNING: - TO REDUCE THE RISK OF A RANGE TOP GREASE FIRE:

- a) Never leave surface units unattended at high settings. Boilovers cause smoking and greasy spillovers that may ignite. Heat oils slowly on low or medium setting.
- b) Always turn hood ON when cooking at high heat or when flambeing food (i.e. Crepes Suzette, Cherries Jubilee, Peppercorn Beef Flambé).
- c) Clean ventilating fans frequently. Grease should not be allowed to accumulate on fan or filter.
- d) Use proper pan size. Always use cookware appropriate for the size of the surface element.

WARNING: - TO REDUCE THE RISK OF INJURY TO PERSONS IN THE EVENT OF A RANGE TOP GREASE FIRE, OBSERVE THE FOLLOWING*:

- a) **SMOTHER FLAMES** with a close-fitting lid, cookie sheet, or metal tray, then turn off the burner. **BE CAREFUL TO PREVENT BURNS.** If the flames do not go out immediately **EVACUATE AND CALL THE FIRE DEPARTMENT.**
- b) **NEVER PICK UP A FLAMING PAN** - You may be burned.
- c) **DO NOT USE WATER**, including wet dishcloths or towels - a violent steam explosion will result.
- d) Use an extinguisher **ONLY** if:
 - 1. You know you have a Class ABC extinguisher, and you already know how to operate it.
 - 2. The fire is small and contained in the area where it started.
 - 3. The fire department is being called.
 - 4. You can fight the fire with your back to an exit.

* Based on "Kitchen Firesafety Tips" published by NFPA

WARNING - TO REDUCE THE RISK OF FIRE OR ELECTRIC SHOCK, do not use this fan with any solid-state speed control device.

WARNING - TO REDUCE THE RISK OF FIRE, ELECTRICAL SHOCK, OR INJURY TO PERSONS, OBSERVE THE FOLLOWING:

- 1. Use this unit only in the manner intended by the manufacturer. If you have any questions, contact the manufacturer.
- 2. Before servicing or cleaning unit, switch power off at service panel and lock the service disconnecting means to prevent power from being switched on accidentally. When the service disconnecting means cannot be locked, securely fasten a prominent warning device, such as a tag, to the service panel.

CAUTION: For General Ventilating Use Only. Do Not Use To Exhaust Hazardous or Explosive Materials and Vapors.

WARNING - TO REDUCE THE RISK OF FIRE, ELECTRICAL SHOCK, OR INJURY TO PERSONS, OBSERVE THE FOLLOWING:

- 1. Installation Work And Electrical Wiring Must Be Done By Qualified Person(s) In Accordance With All Applicable Codes And Standards, Including Fire-Rated Construction.
- 2. Sufficient air is needed for proper combustion and exhausting of gases through the flue (chimney) of fuel burning equipment to prevent backdrafting. Follow the heating equipment manufacturer's guideline and safety standards such as those published by the National Fire Protection Association (NFPA), and the American Society for Heating, Refrigeration and Air Conditioning Engineers (ASHRAE), and the local code authorities.

3. **When cutting or drilling into wall or ceiling, do not damage electrical wiring and other hidden utilities.**
4. **Ducted fans must always be vented to the outdoors.**

ALL WALL AND FLOOR OPENINGS WHERE THE RANGEHOOD IS INSTALLED
MUST BE SEALED.

This rangehood requires at least 24" of clearance between the bottom of the rangehood and the cooking surface or countertop. This hood has been approved by UL at this distance from the cooktop.

This minimum clearance may be higher depending on local building codes. For gas cooktops and combination ranges, a minimum of 30" is recommended and may be required.

Overhead cabinets on both sides of this unit must be a minimum of 18" above the cooking surface or countertop. Consult the cooktop or range installation instructions given by the manufacturer before making any cutouts.

MOBILE HOME INSTALLATION The installation of this rangehood must conform to the Manufactured Home Construction and Safety Standards, Title 24 CFR, Part 3280 (formerly Federal Standard for Mobile Home Construction and Safety, Title 24, HUD, Part 280). See Electrical Requirements.

VENTING REQUIREMENTS

Determine which venting method is best for your application. Ductwork can extend either through the wall or the floor.

The length of the ductwork and the number of elbows should be kept to a minimum to provide efficient performance. The size of the ductwork should be uniform. Do not install two elbows together. Use duct tape to seal all joints in the ductwork system. Use caulking to seal exterior wall or floor opening around the cap.

Flexible ductwork is not recommended. Flexible ductwork creates back pressure and air turbulence that greatly reduces performance.

Make sure there is proper clearance within the wall or floor for exhaust duct before making cutouts. Do not cut a joist or stud unless absolutely necessary. If a joist or stud must be cut, then a supporting frame must be constructed.

WARNING - To Reduce The Risk Of Fire, Use Only Metal Ductwork.

CAUTION - To reduce risk of fire and to properly exhaust air, be sure to duct air outside – Do not vent exhaust air into spaces within walls or ceilings or into attics, crawl spaces, or garages.



WARNING

- Venting system **MUST** terminate outside the home.
- **DO NOT** terminate the ductwork in an attic or other enclosed space.
- **DO NOT** use 4" laundry-type wall caps.
- Flexible-type ductwork is not recommended.
- **DO NOT** obstruct the flow of combustion and ventilation air.
- Failure to follow venting requirements may result in a fire.



WARNING

- Electrical ground is required on this rangehood.
- If cold water pipe is interrupted by plastic, nonmetallic gaskets or other materials, DO NOT use for grounding.
- DO NOT ground to a gas pipe.
- DO NOT have a fuse in the neutral or grounding circuit. A fuse in the neutral or grounding circuit could result in electrical shock.
- Check with a qualified electrician if you are in doubt as to whether the rangehood is properly grounded.
- Failure to follow electrical requirements may result in a fire.

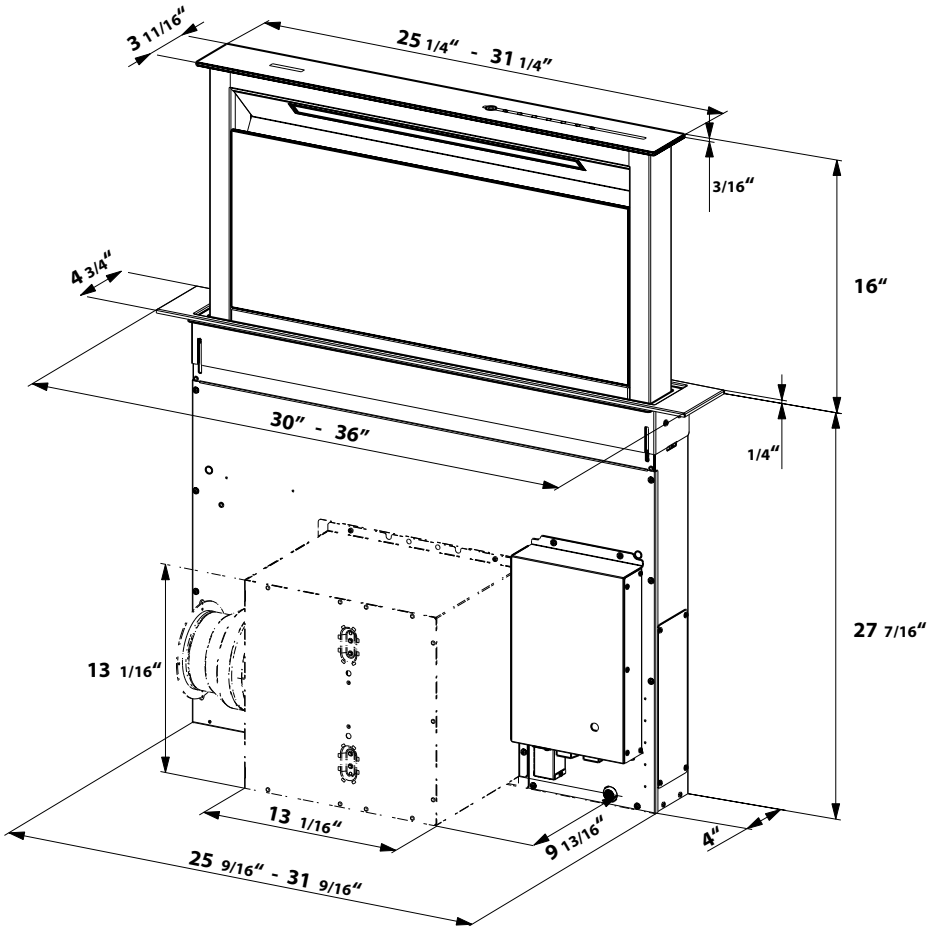
State of California Proposition 65 Warning (US only)

WARNING

This product contains chemicals known to the State of California to cause cancer and birth defects or other reproductive harm.

For more information go to www.P65Warnings.ca.gov

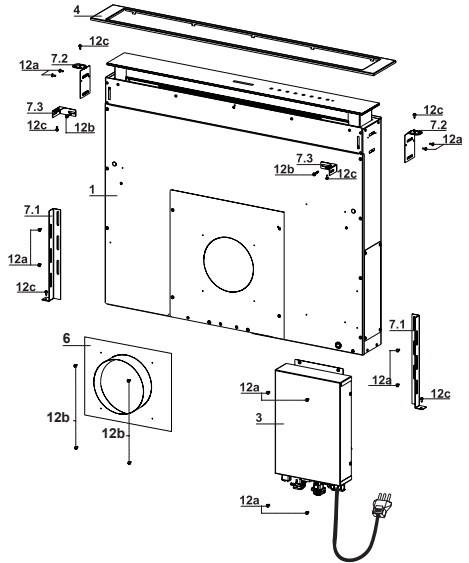
RANGEHOOD DIMENSIONS



MAIN PARTS

Components

Ref.	Qty.	Product Components
1	1	Hood Canopy complete with: Controls, Light, Filters.
3	1	Electric unit.
4	1	Top Frame
6	1	Duct Collar 10" duct collar used with Remote Blowers
Ref.	Qty.	Installation Components
7.1	2	Lower Fixing Bracket
7.2	2	Top Side Fixing Bracket
7.3	2	Top Front Bracket
12a	16	Screws 1/8" x 3/8"
12b	6	Screws 3/16" x 5/16"
12c	8	Screws 3/16" x 9/16"
Qty.	Documentation	
1	Instruction Manual	



10" duct collar used with Remote Blowers

Parts needed

- 6" Round Metal ductwork .

Available Accessories (Purchased separately)

Recirculation Kit - sku # DUCTSCIR

Recirculation Vent Kit - Activated Charcoal Filter - FILTERSCIR

Internal Blower model - IBDD600-B

Remote Blower model - RB900, RB1200 (WIREBOX for Remote Blower included)

Wireless Remote Control - REMCTRL

Wiring box for Remote Blower - WIREBOXSCLX

Installation Instructions

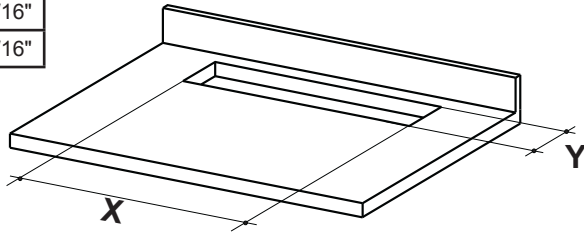
1

FOR YOUR SAFETY:

WARNING Before beginning the installation, switch power off at service panel and lock the service disconnecting means to prevent power from being switched on accidentally. When the service disconnecting means cannot be locked, securely fasten a prominent warning device, such as a tag, to the service panel.

Hood	X	Y
30"	25 15/16"	4 5/16"
36"	31 15/16"	4 5/16"

Cutout Dimensions

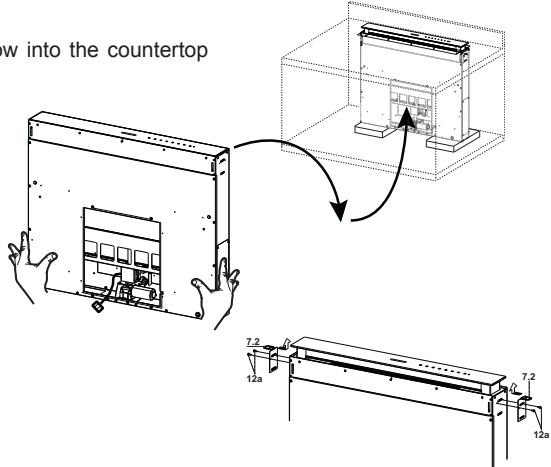


The distance between the opening made for the cooker hob and the one for the suction device must be minimum 1 3/16" - maximum 1 15/16", according to the strength of the material used for the top.

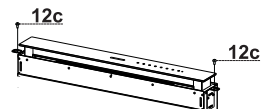
2

Inserting the Hood Canopy into the countertop from below

- Insert the Hood Canopy from below into the countertop cutout, drilled as described above.
- With the aid of a support, lift the Hood Canopy until the front comes out of the countertop.
- Insert the Brackets 7.2, as indicated in the figure, into the slots provided and fix them with the screws 12a provided.
- Center the Hood Canopy with respect to the Cooktop slot.



- Using the 2 screws 12c provided, secure the Hood Canopy to the countertop and remove the supports.



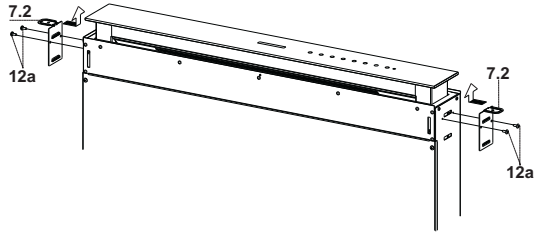
Warning:

If the countertop is made from a material that does not allow the screws 12c to be inserted, use a small amount of silicone to glue the Brackets 7.2 to the top and allow it to dry completely before proceeding with installation.

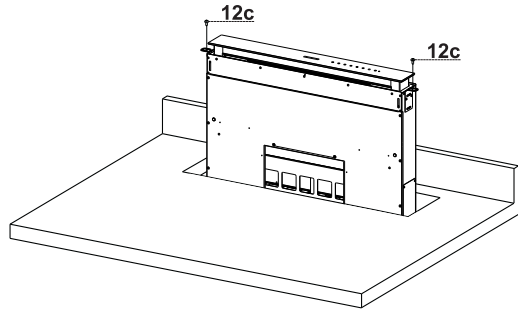
3

Inserting the Hood Canopy into the countertop from above

- Insert the Brackets 7.2, as indicated in the figure, into the slots provided and fix them with the screws 12a provided.



- Insert the Hood Canopy into the countertop, drilled as described above.
- Center the Hood Canopy with respect to the cooktop slot.
- Secure the Hood Canopy with the 2 screws 12c provided.



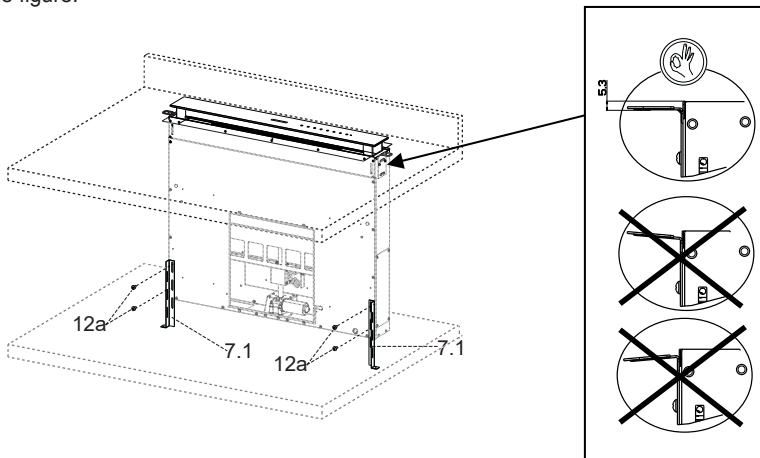
Warning:

If the countertop is made from a material that does not allow the screws 12c to be inserted, use a small amount of silicone to glue the Brackets 7.2 to the top and allow it to dry completely before proceeding with installation.

4

Securing the Lower Brackets

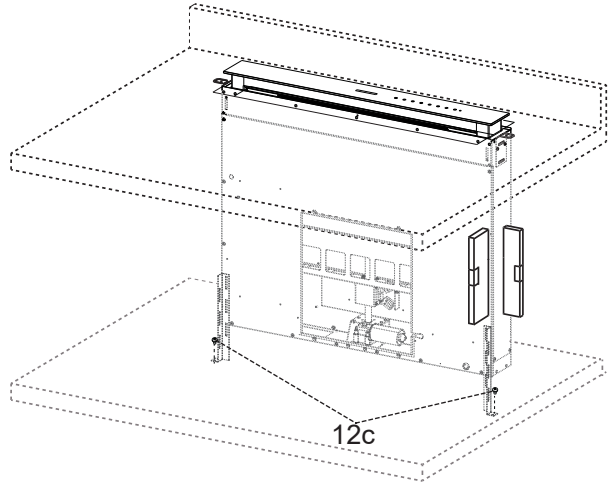
- Screw the brackets 7.1 to the front of the Hood Canopy using the screws 12a provided.
- Before tightening the Brackets completely, make all the adjustments to allow them to rest on the lower base of the Cabinet Base to avoid deformation of the upper brackets 7.2 as shown in the figure.



5

Leveling and Securing the Lower Brackets

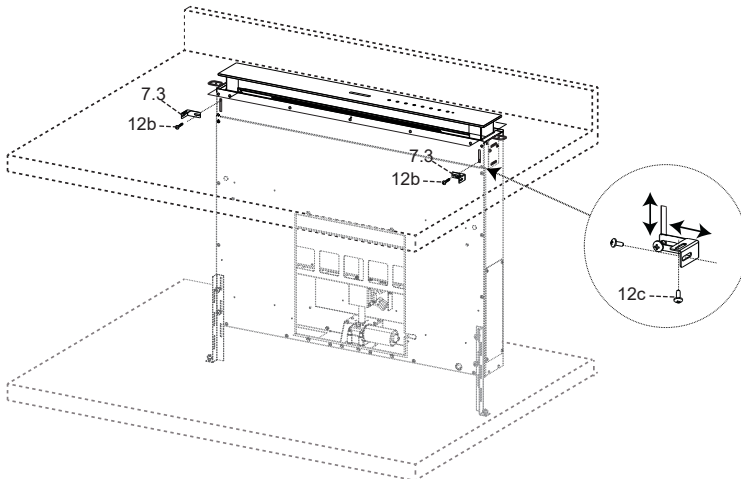
- With the aid of a level, set the Hood Canopy level vertically and secure it to the Lower Surface using 2 screws 12c provided.
- Tighten the screws 12a completely.



6

Securing the Squaring Brackets

- Screw the brackets 7.3 to the Hood Canopy using the screws 12b provided, without tightening completely.
- Using the screws 12c provided, fasten the other part of the brackets 7.3 either to the side walls of the unit or to the lower part of the cooktop.



- Tighten the screws 12c and 12b completely.

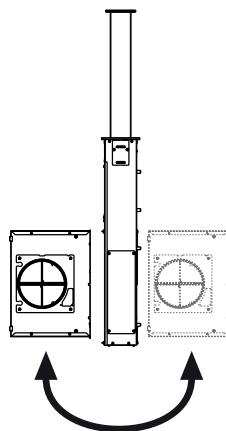
7a

Internal Blower Installation

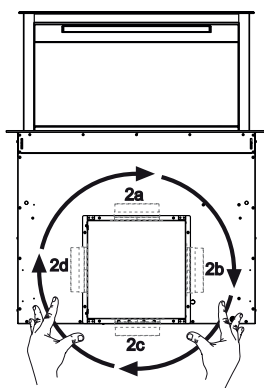
CAUTION - To Reduce The Risk Of Fire And Electric Shock, Install This Down Draft Only With Integral Blowers IBDD600-B Manufactured by Faber.

1

- Installation of the Internal Blower (1) at the front or rear must be decided according to the position of the cooktop, making sure that the plug is properly positioned.



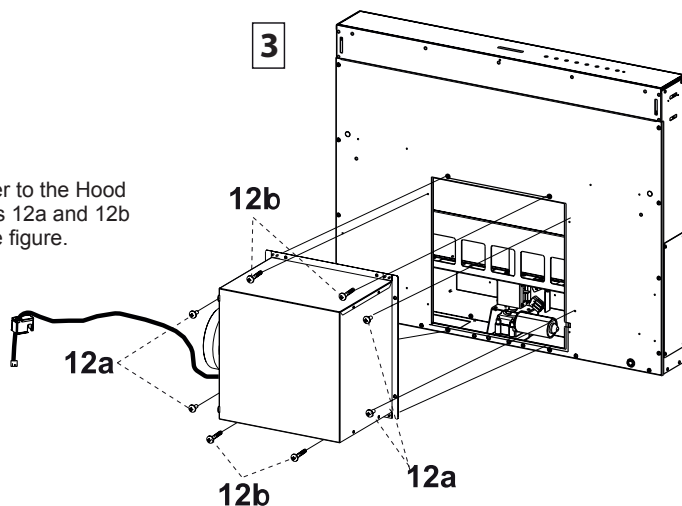
2



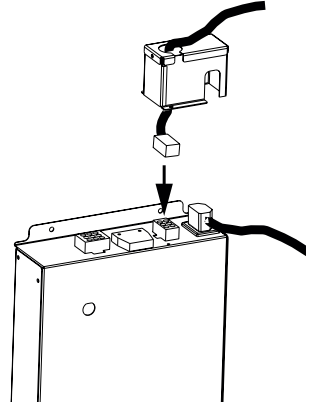
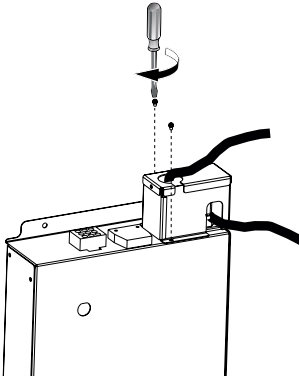
- The Internal Blower can be rotated as shown in the figure 2 for multiple venting directions..

- Screw the Internal Blower to the Hood Canopy using the screws 12a and 12b provided as shown in the figure.

3



- Connect the Wire Connector from the Blower with the correct connector on the Electric Unit.

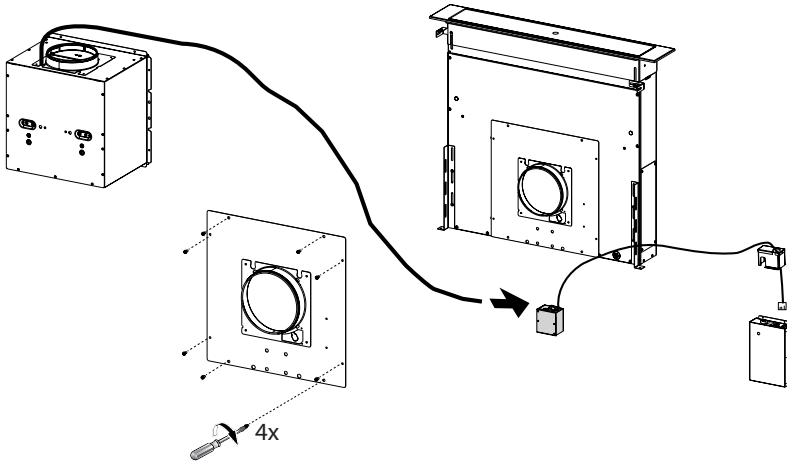


- Secure the Wire Connector from the Blower at the Electric Unit with 2 screws.

7b

Installation of Remote Blower

CAUTION - To Reduce The Risk Of Fire And Electric Shock, Install This Down Draft Only With Remote Blowers RB900, RB1200 Manufactured by Faber.



Connect the Remote Blower wiring to the connector of the Electric Unit.

Accessories needed:

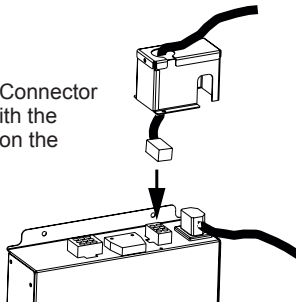
- Remote Blower model - RB900, RB1200 (purchased separately).
- WIREBOXSCLX for Remote Blower (purchased separately).

Attention: Install the Wiring Box with two screws (provided) on a flat and dry surface.

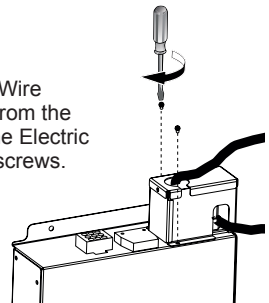
Connect the Remote Blower wiring plug connector to the connector of the Electric Unit.

Run 2-wire plus ground power cable from the Remote Blower to wiring box on the Cover according to local codes and ordinances. Use Listed fittings.

- Connect the Wire Connector from the Blower with the correct connector on the Electric Unit.



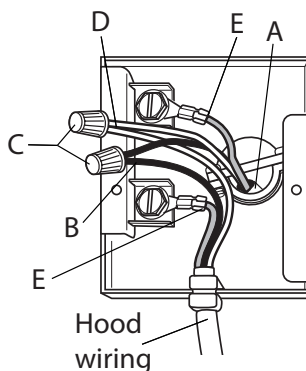
- Secure the Wire Connector from the Blower at the Electric Unit with 2 screws.



Installation of wiring connection

Remove the wiring electrical knockout using a flat-blade screwdriver. Feed the Power Supply Cable through the electrical knockout.

Connect the Power Supply Cable to the Remote Blower. Attach the White lead of the power supply (A) to the White lead of the rangehood (D) with a twist-on type wire connector. Attach the Black lead of the power supply to the Black lead of the rangehood (B) with a twist-on type wire connector (C). Connect the Green (E) (Green and Yellow) ground wire under the Green grounding screws. Replace the field wiring compartment cover



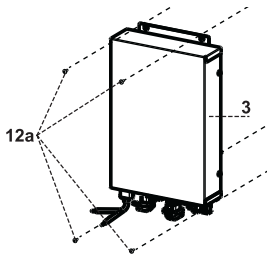
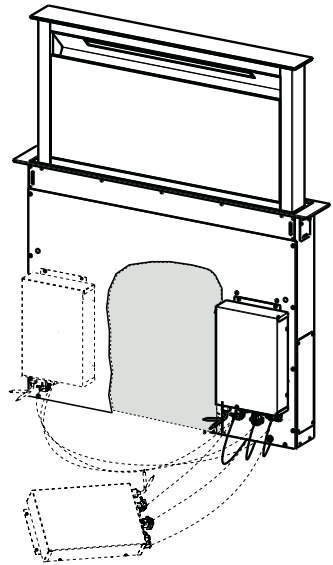
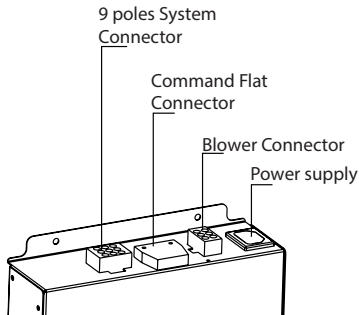
Connect the ductwork to the damper and seal all connections with duct tape.

Turn the power supply on. Turn on the blower and light. If the rangehood does not operate, check that the circuit breaker is not tripped or the house fuse blown. If the unit still does not operate, disconnect the power supply and check that the wiring connections have been made properly.

8

Installation of Electrical Module

- Connect the wires coming out of the bottom right part of the Hood Canopy to the corresponding connector on the Electric Unit, taking care not to make any wrong connections. Check the picture below.



- Secure the Electric Unit to the Hood Canopy using the screws 12a provided.
- The Electric Unit can be installed on the left or right of the front of the hood canopy as shown above. It can also be installed on the cabinet base if space allows.

Connect the ductwork to the damper and seal all connections with duct tape.

Turn the power supply on. Turn on the blower and light. If the rangehood does not operate, check that the circuit breaker is not tripped or the house fuse blown. If the unit still does not operate, disconnect the power supply and check that the wiring connections have been made properly.

"GROUNDING INSTRUCTIONS

This appliance must be grounded. In the event of an electrical short circuit, grounding reduces the risk of electric shock by providing an escape wire for the electric current. This appliance is equipped with a cord having a grounding wire with a grounding plug. The plug must be plugged into an outlet that is properly installed and grounded.

WARNING - Improper grounding can result in a risk of electric shock.

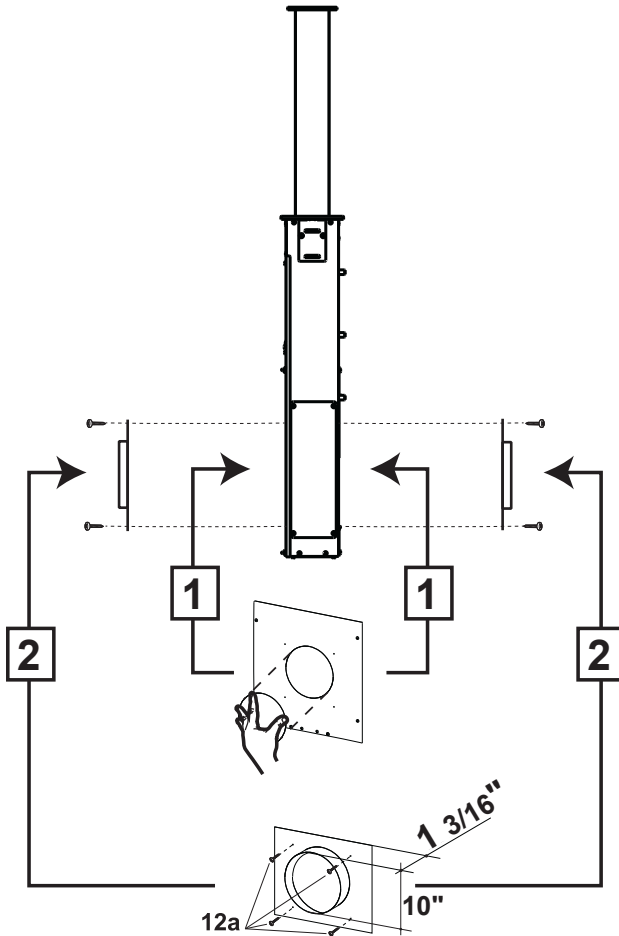
Consult a qualified electrician if the grounding instructions are not completely understood, or if doubt exists as to whether the appliance is properly grounded.

Do not use an extension cord. If the power supply cord is too short, have a qualified electrician install an outlet near the appliance."

Warning... Do not install the product in such a way that the electric unit is in contact with the floor.

Connection the Air outlet with the Accessories Remote Motor

To connect the Hood to the outlet pipe, select the version that applies.



Standard Outlets

According to your venting direction (Front or Rear), break off the outlet hole already marked and screw on callout number from Main Parts Component using the 4 screws 12a provided.

9

Installation of Top Frame

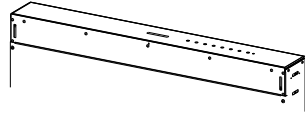
- Raise the downdraft to the Upper Position by a 1-2" (See Page 15 for Use of Controls).

- Remove the sponge guards from the corners of the glass.
- Take the Top Frame and insert it from above, making sure that its tabs insert into the slots provided on the downdraft and sliding it to the left.

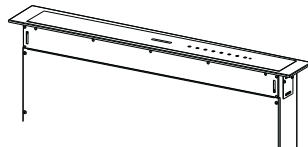
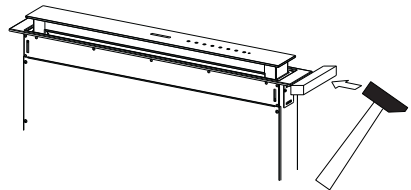
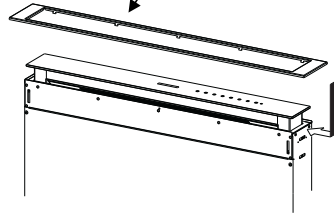
Warning..: All the tabs must be inserted.

- Use a soft rubber mallet or similar tool to tap all along the Top Frame from right to left until it is completely flush. A piece of wood or rubber block can be inserted between the hammer and the front Frame to prevent any damage.

- Please refer to the paragraph on Use for indications of how to return the downdraft to the Standard position.



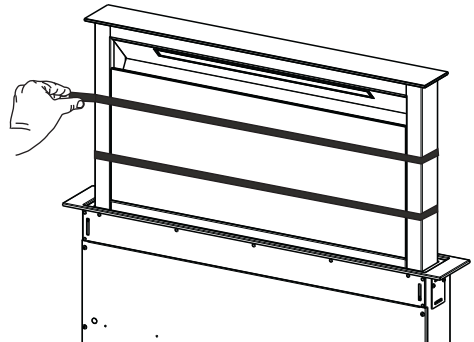
Warning..:
Handle
with care



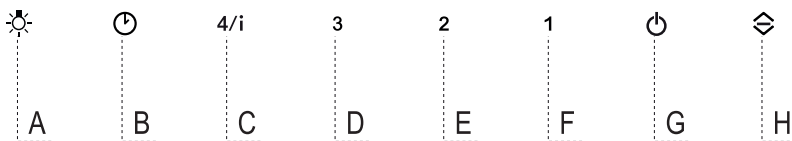
10

Front Cover Panel

- Raise the telescopic part to the Upper Position (See Page 15 for Use of Controls).
- Remove the 2 strips of adhesive tape fastening the panel during transport.



USE AND CARE INFORMATION

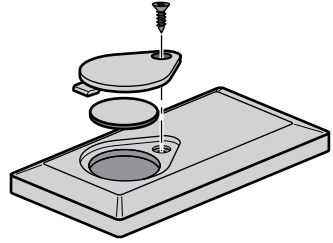


Button	Function	LED button
A	The button only works when the downdraft is open.	
	Press Briefly = Turns the Lights On/Off at maximum intensity.	
	Press and hold for 2 Seconds = Turns the Dimmer Lights On/Off.	
B	Only works with the downdraft Open. Press briefly = Activates/Deactivates Delay mode, causing automatic shutdown of the Motor and the Lighting system from any speed with a 15' delay. It is disabled by pressing the same button again, turning the motor off or closing the downdraft.	LED Button B+ Button for the set Speed are lit.
	Works both with the downdraft Up and Down. Press and hold for 2 Seconds = With the filter alarm triggered the Filter Alarm is Reset . These indications are only visible when the motor is turned off.	LED button ON: Indicates the need to wash the metal grease filters. The alarm is triggered after the Hood has been in operation for 100 working hours. Flashing LED button: Indicates the need to change the activated charcoal filters, and also to wash the metal grease filters. The alarm is triggered after the Hood has been in operation for 200 working hours.
	Works both with downdraft Up and Down with Motor + Lights = Off. Press and hold for 4 Seconds = Enables/disables the Keyboard lock .	All the LED buttons flash twice. During the Lock the LED buttons light up in sequence.
C	Only works with the downdraft Up. Press briefly = Activates speed four .	LED button ON.
	Only works with the downdraft Up. Press and hold for 2 seconds = Enables/Disables the Intensive speed. This speed is timed to run for 6 minutes. At the end of this time the system will return to the speed set previously. It is disabled by pressing the same button again, turning the motor off or closing the downdraft.	Flashing LED button.
D	Only works with the downdraft Up. Activates speed three .	LED button ON.
E	Only works with the downdraft Up Activates/Deactivates speed two .	LED button ON.
F	Only works with the downdraft Up. Press briefly = Activates/Deactivates speed one .	LED button NO.
	downdraft Up and Down Press and hold for 2 Seconds = Enables/Disables the Activated Charcoal Filter Alarm with the Motor turned off and no Filter Alarm triggered.	LED button B flashes twice = Activated Charcoal filter Alarm Activated. LED button B flashes once = Activated Charcoal filter Alarm Deactivated.
G	downdraft Up Press briefly = Turns the Motor off .	LED button goes out.
	downdraft Up and Down Press and hold for 2 Seconds with Motor and Lights Off = Enables/Disables the Remote control .	LED button G + F flashes twice = Remote control Enabled. LED button G + F flashes once = Remote control Disabled.
H	downdraft Up = Lower the downdraft + Lights and Motor Off downdraft Down = Upper the downdraft + Lights and Motor On. Warning: If the downdraft remains partially open for any reason, press the Button to complete the opening or closing cycle.	

Remote Control (Purchased Separately)

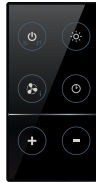
This appliance can be commanded using a remote control, powered by a CR2032 type 3 V battery (not supplied).

- Do not place the remote control near heat sources.
- Do not discard the batteries with normal waste, they must be put into the specific containers.



Remote Control Panel

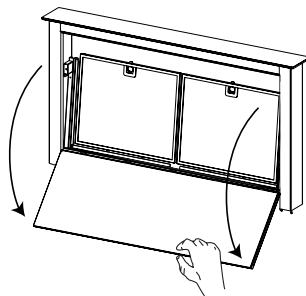
Warning...: The remote control receiver is deactivated when first supplied. To activate it, see the paragraph Use Function of Button G.



⏻	Motor	<p>downdraft Down: Opens the downdraft, turns the motor on at speed one and turns the lights on at maximum intensity.</p> <p>downdraft Up: Brief pressure: Motor On / Off. Pressed for 2 Seconds: Closes the downdraft and Motor + Lights = Off.</p>
—		<p>Only with downdraftUp Decreases the working speed each time it is pressed.</p>
+		<p>Only with downdraft Up Increases the working speed each time it is pressed.</p>
Ⓜ	Intensive	<p>Only with downdraft Up Activates the Intensive function.</p>
⌚	Delay	<p>Only with downdraft Up Activates the Delay function.</p>
☀	Light	<p>Only with downdraft Up Brief pressure: Lights On / Off. Pressed for 2 Seconds: Dimmer lights On / Off.</p>

Cleaning the Front Cover Panels

- Open the Front Cover Panel by pulling it at the top.
- Disconnect the panel from the hood canopy.
- The panel must never be washed in the dishwasher.
- Clean the outside with a damp cloth and neutral detergent.
- Clean the inside using a damp cloth and neutral detergent; do not use wet cloths or sponges, or jets of water; do not use abrasive substances.
- On completing the operation hook the panel and close it.



Cleaning the Metal grease filters

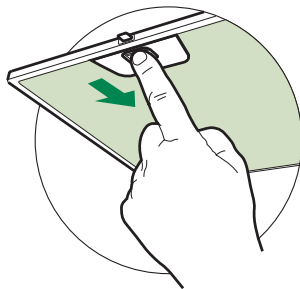
These can also be washed in the dishwasher, and need to be cleaned whenever button B lights up or at least once every 2 months use, or more frequently if use is particularly intensive.

Resetting the alarm signal

- Turn the Lights and the Motor off.
- Press and hold button B for 2 seconds.

Cleaning the Filters

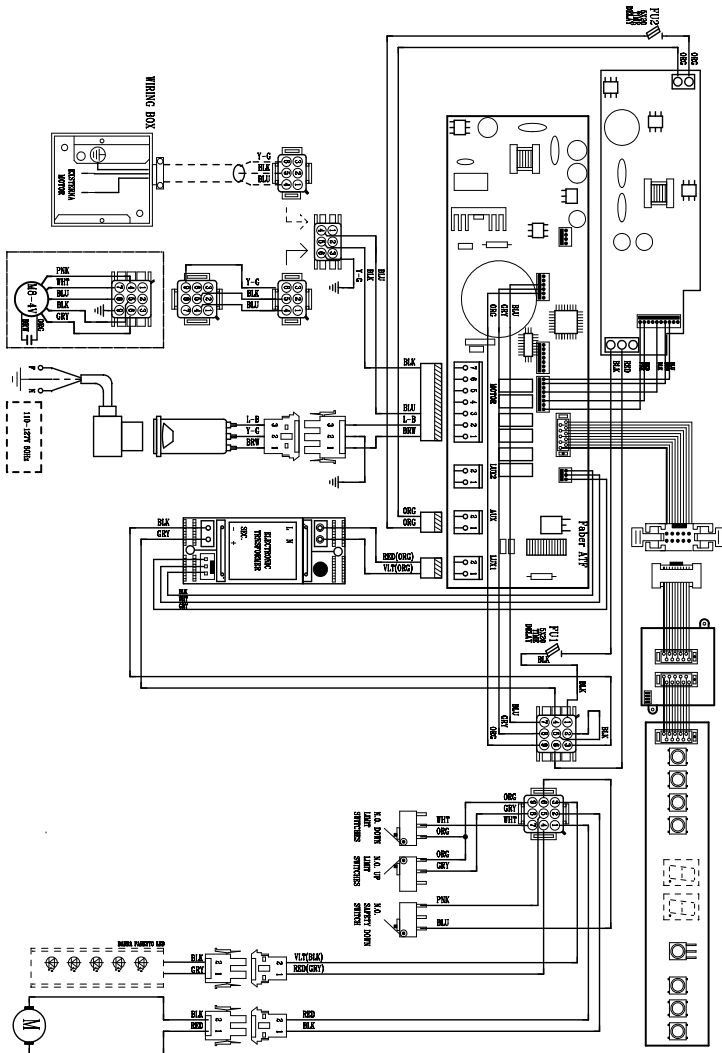
- Raise the downdraft to the Up position (see USE).
- Pull forward on the top edge of the Front Cover to pull down.
- Remove the Filters one at a time, pushing them towards the back of the unit and at the same time pulling downward.
- Wash the Filters without bending them, and leave them to dry completely before replacing. (If the surface of the filter changes color as time goes by, this will have absolutely no effect on the efficiency of the filter itself) .
- Replace, taking care to ensure that the handle faces forwards.
- Close the Front Cover panel.



LED LIGHTING UNIT

- LED lights must be replaced by Faber factory authorized service.

Wiring Diagram





FABER CONSUMER WARRANTY & SERVICE

All Faber products are warranted against any defect in materials or workmanship for the original purchaser for a period of 1 year from the date of original purchase (requires proof of purchase). This warranty covers labor and replacement parts. Faber, at its option, may repair or replace the product or components necessary to restore the product to good working condition. To obtain warranty service, contact the dealer from whom you purchased the range hood, or the local Faber distributor. If you cannot identify a local Faber distributor, contact us at (508) 358-5353 for the name of a distributor in your area.

The following is not covered by Faber's warranty:

1. Service calls to correct the installation of your range hood, to instruct you how to use your range hood, to replace or repair house fuses or to correct house wiring or plumbing.
2. Service calls to repair or replace range hood light bulbs, fuses or filters. Those consumable parts are excluded from warranty coverage.
3. Repairs when your range hood is used for other than normal, single-family household use.
4. Damage resulting from accident, alteration, misuse, abuse, fire, flood, acts of God, improper installation, installation not in accordance with electrical or plumbing codes or Faber documentation, or use of products not approved by Faber.
5. Replacement parts or repair labor costs for units operated outside the United States or Canada, including any non-UL or C-UL approved Faber range hoods.
6. Repairs to the hood resulting from unauthorized modifications made to the range hood.
7. Expenses for travel and transportation for product service in remote locations and pickup and delivery charges. Faber range hoods should be serviced in the home.

THIS WARRANTY DOES NOT ALLOW RECOVERY OF INCIDENTAL OR CONSEQUENTIAL DAMAGES, INCLUDING, WITHOUT LIMITATION, DIRECT, INDIRECT, INCIDENTAL, SPECIAL OR CONSEQUENTIAL DAMAGES, PERSONAL INJURY/WRONGFUL DEATH OR LOST PROFITS. FABER WARRANTY IS LIMITED TO THE ABOVE CONDITIONS AND TO THE WARRANTY PERIOD SPECIFIED HEREIN AND IS EXCLUSIVE. EXCEPT AS EXPRESSLY SPECIFIED IN THIS AGREEMENT, FABER DISCLAIMS ALL EXPRESS OR IMPLIED CONDITIONS, REPRESENTATIONS, AND WARRANTIES INCLUDING, WITHOUT LIMITATION, ANY IMPLIED WARRANTIES OF MERCHANTABILITY OR FITNESS FOR A PARTICULAR PURPOSE.

This warranty gives you specific legal rights that may vary from state to state.

Model#: _____

Serial #: _____

January 4, 2016

VEUILLEZ LIRE ET CONSERVER LA PRÉSENTE NOTICE AVANT DE COMMENCER L'INSTALLATION DE LA HOTTE DE CUISINE

AVERTISSEMENT: POUR RÉDUIRE LE RISQUE D'UN FEU DE GRAISSE SUR LA TABLE DE CUISSON :

- a) Ne laissez jamais sans surveillance les éléments de la surface de cuisson à température élevée. Les bouillonnements excessifs peuvent provoquer de la fumée et les débordements de graisse peuvent s'enflammer. L'huile doit être chauffée lentement, à une température basse ou moyenne.
- b) Assurez-vous de toujours mettre en marche la hotte lorsque vous cuisinez à température élevée ou préparez un mets flambé (p.ex. crêpes Suzette, cerises jubilé, bœuf flambé).
- c) Nettoyez régulièrement les ventilateurs d'aspiration. Assurez-vous de ne pas laisser de la graisse s'accumuler sur le ventilateur ou le filtre.
- d) Utilisez toujours des poêles et casseroles de la taille appropriée. Utilisez toujours des ustensiles de cuisine de la taille adaptée à celle de l'élément chauffant.

AVERTISSEMENT : - POUR PRÉVENIR LES BLESSURES EN CAS DE FEU DE GRAISSE SUR LA TABLE DE CUISSON, SUIVEZ LES RECOMMANDATIONS SUIVANTES* :

- a) **ÉTOUFFEZ LES FLAMMES** à l'aide d'un couvercle hermétique, d'une plaque à biscuits ou d'un plateau métallique, puis éteignez le brûleur. FAITES ATTENTION AUX BRÛLURES. Si le feu ne s'éteint pas immédiatement, **QUITTEZ LES LIEUX ET APPELEZ LES POMPIERS.**
- b) **NE PRENEZ JAMAIS UNE CASSEROLE EN FLAMME** - Vous pourriez vous brûler.
- c) **N'UTILISEZ JAMAIS DE L'EAU**, ni un linge à vaisselle ou un torchon mouillé, pour éteindre le feu. Cela pourrait provoquer une violente explosion de vapeur.
- d) Utilisez un extincteur **UNIQUEMENT** si :
 1. Vous êtes certain qu'il s'agit d'un extincteur de classe ABC et que vous connaissez bien son mode d'emploi.
 2. Le feu est de faible intensité et se limite à l'endroit où il a démarré.
 3. Les pompiers ont déjà été appelés.
 4. Une voie de sortie se trouve derrière vous pendant que vous éteignez les flammes.

* D'après le guide « Kitchen Firesafety Tips » publié par la NFPA aux États-Unis

AVERTISSEMENT - POUR RÉDUIRE LE RISQUE D'INCENDIE OU DE CHOC ÉLECTRIQUE, n'utilisez jamais ce ventilateur en association avec un dispositif de réglage de vitesse à semi-conducteurs.

AVERTISSEMENT - POUR RÉDUIRE LES RISQUES D'INCENDIE, DE CHOC ÉLECTRIQUE OU DE BLESSURE CORPORELLE, RESPECTEZ LES INSTRUCTIONS SUIVANTES :

1. Utilisez cet appareil uniquement de la façon prévue par le fabricant. Pour toute question, communiquez avec le fabricant.
2. Avant de procéder à l'entretien ou au nettoyage de l'appareil, coupez l'alimentation au niveau du panneau électrique et verrouillez-le pour vous assurer que l'électricité n'est pas rétablie accidentellement. S'il n'est pas possible de verrouiller le dispositif d'interruption de l'alimentation, affichez de façon ferme et bien visible un avis de danger, par exemple à l'aide d'une étiquette sur le panneau.

ATTENTION : Destiné à un usage de ventilation générale uniquement. N'utilisez pas ce dispositif pour l'aspiration de vapeurs ou de matériaux dangereux ou explosifs.

AVERTISSEMENT - POUR RÉDUIRE LES RISQUES D'INCENDIE, DE CHOC ÉLECTRIQUE OU DE BLESSURE CORPORELLE, RESPECTEZ LES INSTRUCTIONS SUIVANTES :

1. L'installation et le branchement électrique doivent être réalisés par un technicien qualifié et conformément à tous les codes et normes en vigueur, incluant ceux concernant la construction à l'épreuve du feu.
2. Afin de garantir une combustion et une évacuation adéquates des gaz par les conduites de la cheminée des appareils à combustion, une bonne aération est nécessaire pour éviter le reflux. Respectez les lignes directrices fournies par le fabricant du matériel chauffant, ainsi que les normes de sécurité comme celles publiées par la National Fire Protection Association (NFPA) et la American Society for Heating, Refrigeration and Air Conditioning Engineers (ASHRAE) aux

États-Unis, ainsi que les codes en vigueur dans votre région.

3. Lorsque vous faites une ouverture ou percez dans un mur ou le plafond, veillez à ne pas endommager les fils électriques ou d'autres dispositifs cachés.
4. Les ventilateurs canalisés doivent toujours être raccordés à l'extérieur.

TOUTE OUVERTURE DANS LE MUR OU LE PLANCHER À PROXIMITÉ DE LA HOTTE DOIT ÊTRE SCÉLLÉE.

Un espace libre d'au moins 24" est requis entre le bas de la hotte et la surface de cuisson ou le comptoir. Cette hotte a été homologuée par l'UL à cette distance de la surface de cuisson.

L'espace libre minimal requis peut-être plus grand, selon la réglementation en matière de construction de votre région. Pour les cuisinières à gaz et les cuisinières combinées, un espace minimal de 30" est recommandé et pourrait être exigé.

Les armoires suspendues de chaque côté de l'appareil doivent se trouver à au moins 18" de la surface de cuisson ou du comptoir. Consultez la notice d'installation de la surface de cuisson ou de la cuisinière fournie par le fabricant avant de pratiquer des ouvertures.

INSTALLATION DANS UNE MAISON MOBILE L'installation de cette hotte doit être conforme à la Partie 3280 de la norme Manufactured Home Construction and Safety Standards, Title 24 CFR (précédemment la partie 280 de la norme Federal Standard for Mobile Home Construction and Safety, Title 24, HUD). Consultez la fiche technique électrique.

CRITÈRES DE VENTILATION

Déterminez quelle méthode de ventilation est mieux adaptée à votre application. Les conduits peuvent passer par le mur ou le plancher.

Pour garantir une meilleure efficacité, la longueur des conduits et le nombre de coudes doivent être le plus limités que possible. Le diamètre des conduits devrait être uniforme. N'installez pas deux coudes ensemble. Utilisez un ruban pour canalisations afin de sceller tous les joints du système de conduits. Utilisez un calfeutrage pour sceller les ouvertures dans le mur extérieur ou le plancher, autour du clapet.

Il n'est pas recommandé d'utiliser des conduits flexibles. Les conduits flexibles provoquent une contre-pression et de la turbulence qui diminuent grandement l'efficacité de l'appareil.

Assurez-vous que l'espace libre dans le mur ou le plancher est suffisant pour le conduit d'évacuation avant de pratiquer les ouvertures. Ne coupez jamais une poutre ou un chevron, sauf si c'est absolument nécessaire. S'il s'avère nécessaire de couper une poutre ou un chevron, la construction d'un renforcement est requise.

AVERTISSEMENT - Pour réduire le risque d'incendie, utilisez uniquement des conduits métalliques.

ATTENTION - Pour réduire le risque d'incendie et pour évacuer adéquatement l'air, assurez-vous de raccorder les conduits à l'extérieur – Ne diffusez pas l'air d'évacuation dans des espaces à l'intérieur des murs ou du plafond, ou encore à l'intérieur d'un grenier, d'une galerie technique ou d'un garage.



AVERTISSEMENT

- Le système de ventilation DOIT déboucher à l'extérieur.
- **NE FAITES PAS** déboucher les conduits dans un grenier ou un autre endroit fermé.
- **N'UTILISEZ PAS** un clapet de sècheuse mural de 4".
- Il n'est pas recommandé d'utiliser des conduits flexibles.
- **N'ENTRAVEZ PAS** le flux de l'air de combustion et de ventilation.
- Le non-respect des exigences en matière de ventilation pourrait entraîner un incendie.



AVERTISSEMENT

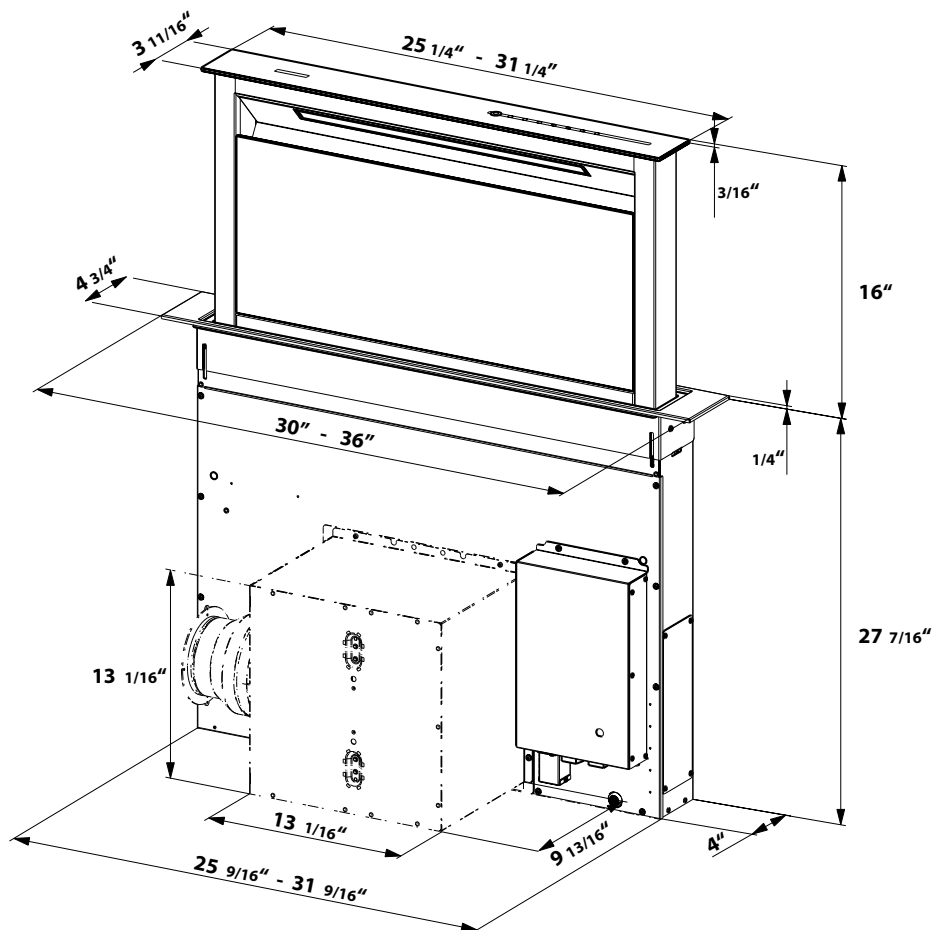
- Une mise à la terre électrique est requise pour cette hotte.
- N'UTILISEZ PAS un tuyau d'eau froide pour la mise à la terre si celui-ci est branché par des joints en plastique, par des rondelles non métalliques ou d'autres matériaux.
- N'UTILISEZ PAS une conduite de gaz pour la mise à la terre.
- N'INSTALLEZ PAS un fusible sur le circuit neutre ou le circuit de mise à la terre. La présence d'un fusible dans le circuit neutre ou de mise à la terre peut entraîner un choc électrique.
- Consultez un électricien qualifié si vous n'êtes pas certain de la mise à la terre de la hotte.
- Le non-respect des exigences de la fiche technique électrique pourrait entraîner un incendie.

Avertissement de la proposition 65 de l'État de Californie (US seulement)

ATTENTION

Ce produit contient des produits chimiques connus de l'État de Californie pour causer le cancer et des malformations congénitales ou d'autres problèmes de reproduction. Pour plus d'informations, visitez www.P65Warnings.ca.gov

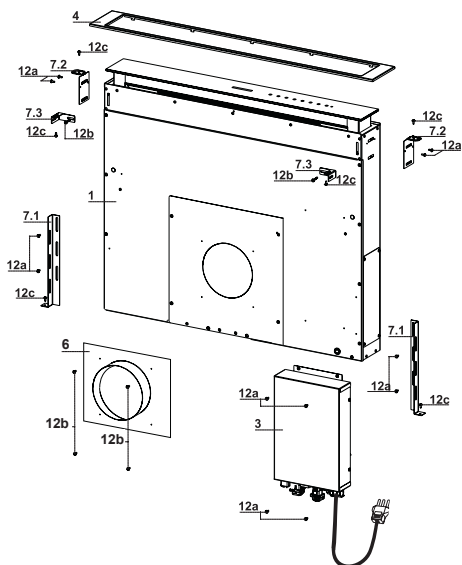
DIMENSIONS DE LA HOTTE



PIÈCES PRINCIPALES

Composants

Réf.	Qté	Composants du produit
1	1	Cadre de la hotte, avec : Commandes, éclairage, filtres.
3	1	Module électrique.
4	1	Cache supérieur
6	1	Collier de conduit 10" collier de conduit utilisé avec ventilateurs à distance
Réf.	Qté	Composants d'installation
7.1	2	Brides de fixation bas
7.2	2	Brides de fixation latérales haut
7.3	2	Brides de fixation avant haut
12a	16	Vis 1/8" x 3/8"
12b	6	Vis 3/16" x 5/16"
12c	8	Vis 3/16" x 9/16"
Qté	Documentation	
1	Mode d'emploi	



Collier de conduit 10" utilisé avec ventilateurs à distance

Pièces requises

- Conduit métallique 6" circulaire.

Accessoires disponibles (Acheté Séparément)

Trousse de recyclage - no d'article DUCTSCIR

Trousse d'évent de recyclage - Filtre à charbon actif - FILTERSCIR

Modèle avec ventilateur interne - IBDD600-B

Modèle avec ventilateur à distance - RB900, RB1200 (WIREBOX pour ventilateur à distance inclus)

Télécommande sans fil - REMCTRL

Trousse boîtier de connexion pour ventilateur à distance - WIREBOXSCLX

Notice d'installation

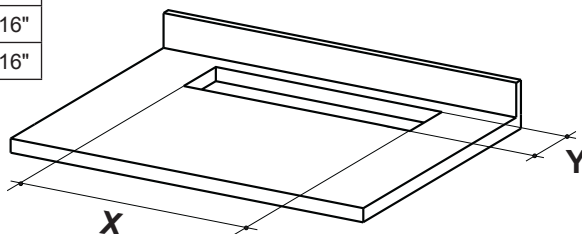
1

POUR VOTRE SÉCURITÉ :

AVERTISSEMENT Avant de procéder à l'installation, coupez l'alimentation au niveau du panneau électrique et verrouillez-le pour vous assurer que l'électricité n'est pas rétablie accidentellement. S'il n'est pas possible de verrouiller le dispositif d'interruption de l'alimentation, affichez de façon ferme et bien visible un avis de danger, par exemple à l'aide d'une étiquette sur le panneau.

Hotte	X	Y
30"	25 15/16"	4 5/16"
36"	31 15/16"	4 5/16"

Dimensions de l'ouverture

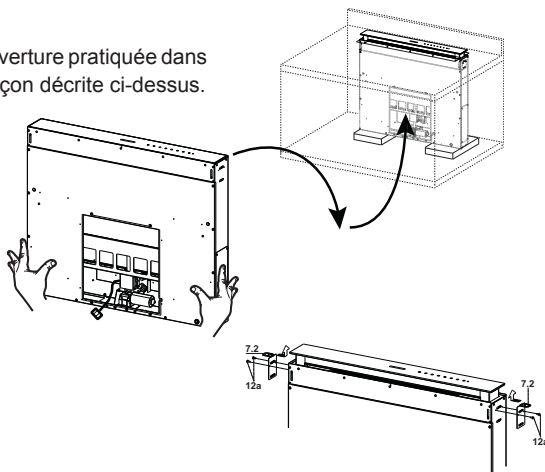


La distance entre le trou pratiqué pour la table de cuisson et celui pour l'appareil d'aspiration doit être de 1 3/16" minimum et de 1 15/16" maximum, en fonction de la résistance du matériau utilisé pour le haut.

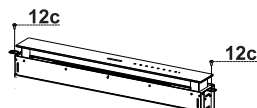
2

Insertion du cadre de la hotte dans le comptoir par le dessous

- Insérez le cadre de la hotte dans l'ouverture pratiquée dans le comptoir par le dessous, de la façon décrite ci-dessus.
- Avec l'aide d'un soutien, soulevez le cadre de la hotte jusqu'à ce que l'avant ressorte du comptoir.
- Comme indiqué dans la figure, insérez les brides 7.2 dans les fentes prévues et fixez-les à l'aide des vis 12a fournies.
- Centrez le cadre de la hotte par rapport à l'ouverture de la surface de cuisson.



- À l'aide des 2 vis 12c fournies, fixez le cadre de la hotte au comptoir, puis retirez les soutiens.

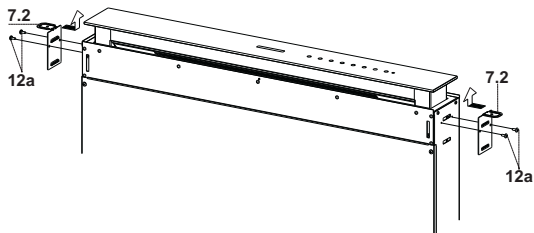


Avertissement :

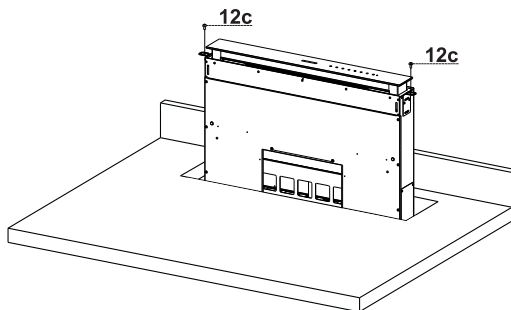
Si le matériau du comptoir ne permet pas la pose des vis 12c, utilisez une petite quantité de silicone pour coller les brides 7.2 au comptoir, et laissez-la sécher complètement avant de poursuivre l'installation.

3 Insertion du cadre de la hotte dans le comptoir par le dessus

- De la façon indiquée dans la figure, insérez les brides 7.2 dans les fentes prévues et fixez-les à l'aide des vis 12a fournies.



- Insérez le cadre de la hotte dans l'ouverture pratiquée dans le comptoir de la façon décrite ci-dessus.
- Centrez le cadre de la hotte par rapport à l'ouverture de la surface de cuisson.
- Fixez le cadre de la hotte à l'aide des 2 vis 12c fournies.

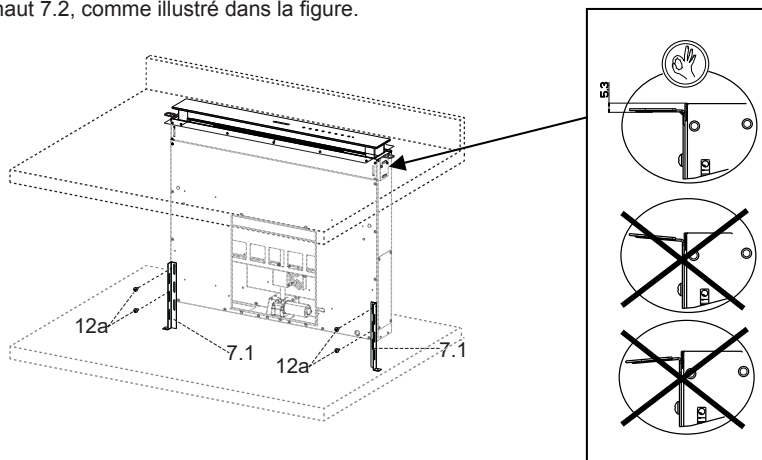


Avertissement :

Si le matériau du comptoir ne permet pas la pose des vis 12c, utilisez une petite quantité de silicone pour coller les brides 7.2 au comptoir et laissez-la sécher complètement avant de poursuivre l'installation.

4 Fixation des brides inférieures

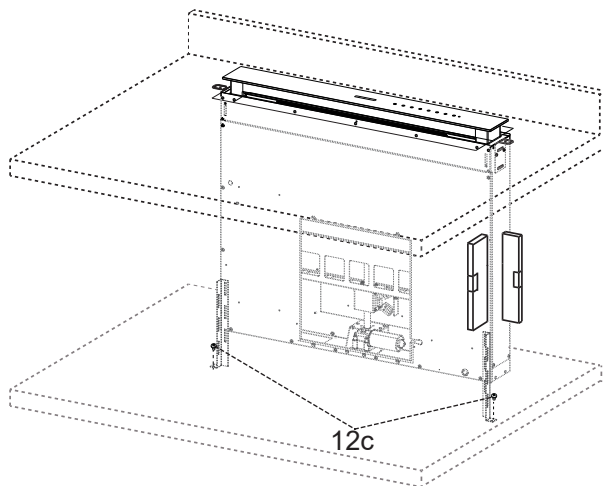
- Vissez les bride 7.1 à l'avant du cadre de la hotte à l'aide des vis 12a fournies.
- Avant de serrer complètement les brides, effectuez tous les réglages pour leur permettre de s'appuyer sur la base inférieure de la base des placards pour éviter la déformation des brides du haut 7.2, comme illustré dans la figure.



5

Mise à niveau et fixation des brides du bas

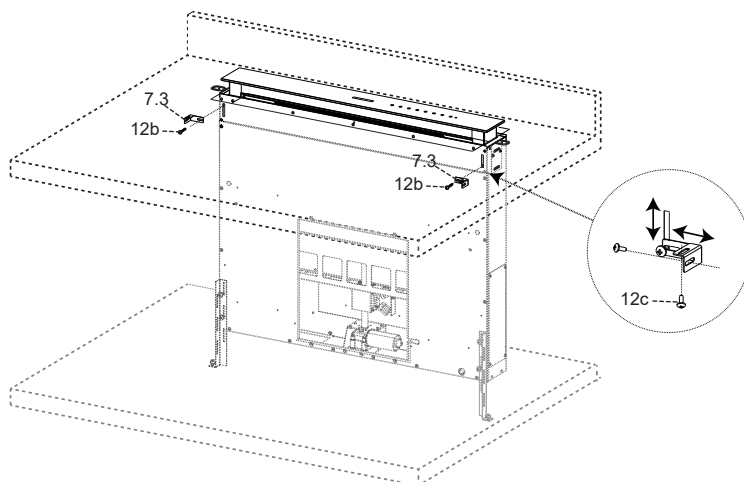
- À l'aide d'un niveau, assurez-vous que le cadre de la hotte est de niveau verticalement, et fixez-le à la surface inférieure à l'aide de 2 vis 12c fournies.
- Serrez à fond les vis 12a.



6

Fixation des brides équerres

- Vissez les brides 7.3 au cadre de la hotte à l'aide des vis 12b fournies, sans les serrer à fond.
- Utilisez les vis 12c fournies, serrez l'autre partie des brides 7.3 soit au mur à côté de l'appareil ou à la partie inférieure de la surface de cuisson.



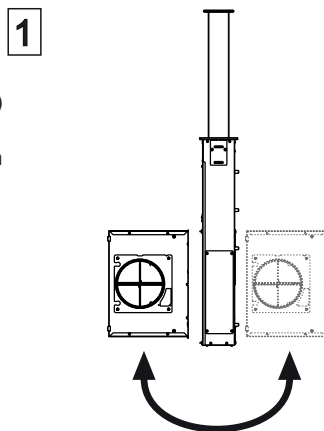
- Serrez à fond les vis 12c et 12b.

7a

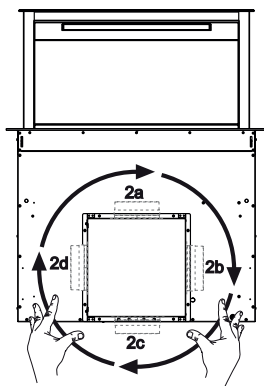
Installation du ventilateur interne

ATTENTION - Pour réduire le risque d'incendie ou de choc électrique, installez le tirage descendant uniquement avec les blocs ventilateurs IBDD600-B fabriqués par Faber.

- L'installation à l'avant ou à l'arrière du ventilateur interne (1) doit être déterminée en fonction de la position de la surface de cuisson, en s'assurant que la fiche est dans une position adéquate.



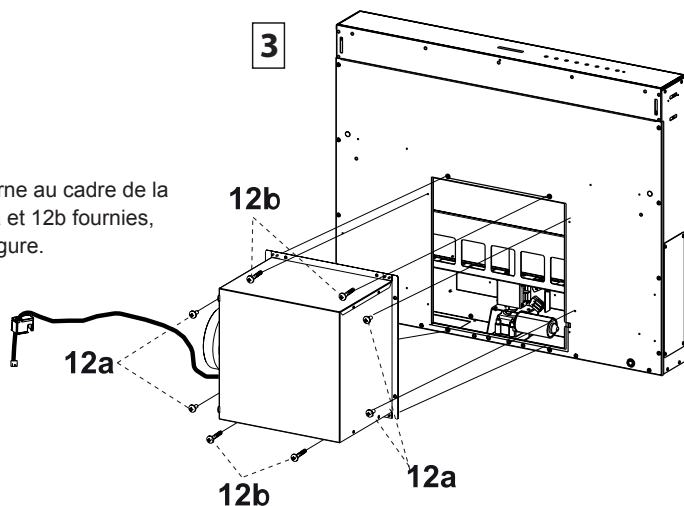
2



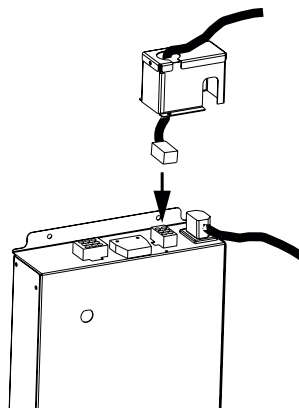
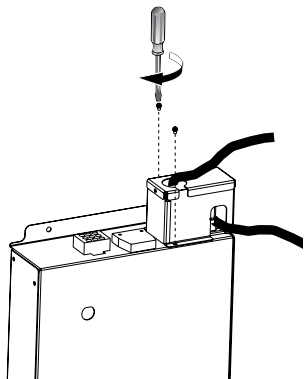
- Le ventilateur interne peut être tourné comme illustré à la figure 2, pour diverses directions de ventilation.

- Vissez le ventilateur interne au cadre de la hotte à l'aide des vis 12a et 12b fournies, comme illustré dans la figure.

3



- Connectez le connecteur des fils du ventilateur au connecteur du module électrique correspondant.

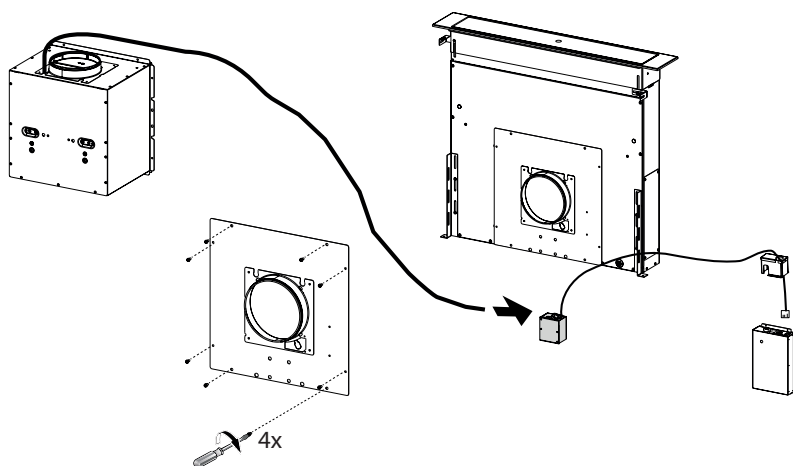


- Fixez le boîtier de connecteur du ventilateur sur le module électrique à l'aide de 2 vis.

7b

Installation du ventilateur à distance

ATTENTION - Pour réduire le risque d'incendie ou de choc électrique, installez le tirage descendant uniquement avec les ventilateurs à distance RB900, RB1200, fabriqués par Faber.



Branchez les fils du ventilateur à distance au connecteur du module électrique.

Accessoires requis :

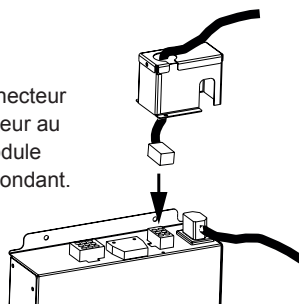
- Modèle de ventilateur à distance - RB900, RB1200 (acheté séparément).
- WIREBOXSCLX (acheté séparément).

Attention : Installez le boîtier de connexion à l'aide des deux vis (fournies) sur une surface plane et sèche.

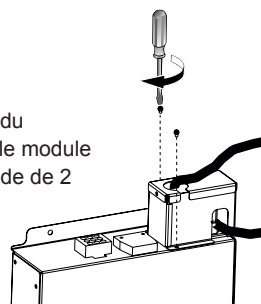
Branchez le connecteur du fil du ventilateur à distance au connecteur du module électrique.

Faites passer un câble électrique à 2 fils et fil de mise à la terre à partir du ventilateur à distance jusqu'au boîtier de connexion sur le couvercle, conformément aux codes et réglementations en vigueur. Utilisez les raccords indiqués.

- Connectez le connecteur des fils du ventilateur au connecteur du module électrique correspondant.



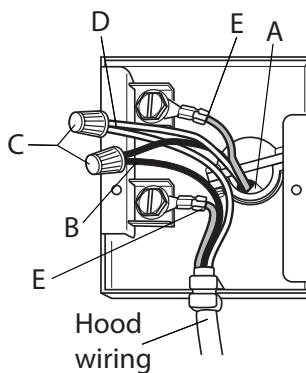
- Fixez le boîtier de connecteur du ventilateur sur le module électrique à l'aide de 2 vis.



Réalisation des branchements

Défoncez l'entrée électrique à l'aide d'un tournevis plat. Faites passer le câble d'alimentation dans l'entrée électrique défoncée.

Branchez le câble d'alimentation au ventilateur à distance. Branchez le fil blanc de l'alimentation (A) au fil blanc de la hotte (D) à l'aide d'un connecteur verrouillé par rotation. Branchez le fil noir de l'alimentation au fil noir de la hotte (B) à l'aide d'un connecteur verrouillé par rotation (C). Branchez le fil vert (E) (vert et jaune) de mise à la terre sous les vis de mise à la terre vertes. Remettez en place le couvercle du compartiment des câblages externes.



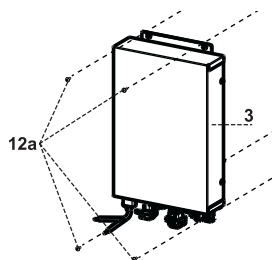
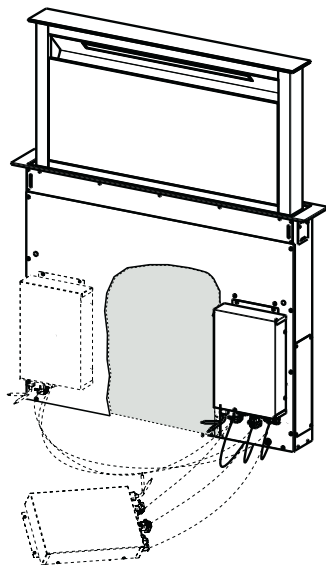
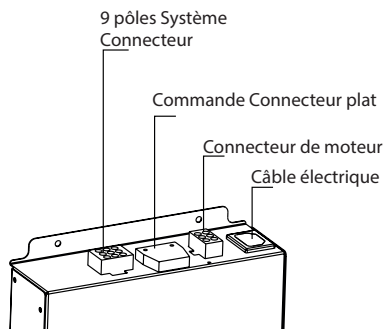
Raccordez le conduit au registre et scellez toutes les connexions à l'aide de ruban.

Mettez l'alimentation sous tension. Mettez le ventilateur et l'éclairage en marche. Si la hotte ne fonctionne pas, assurez-vous que le disjoncteur ou le fusible du domicile n'a pas sauté. Si l'unité ne fonctionne toujours pas, débranchez l'alimentation et vérifiez si les branchements ont été réalisés correctement.

8

Installation du module électrique

- Branchez les fils provenant de la partie inférieure droite du cadre de la hotte au connecteur correspondant sur le module électrique, en prenant soin d'éviter de faire des connexions erronées. Voir la figure ci-dessous.



- Fixez le module électrique au cadre de la hotte à l'aide des vis 12a fournies.
- Le module électrique peut être installé à droite ou à gauche sur l'avant du cadre de la hotte, comme illustré ci-dessus. Il peut aussi être installé à la base des placards, si l'espace le permet.

Raccordez le conduit au registre et scellez toutes les connexions à l'aide de ruban. Mettez l'alimentation sous tension. Mettez le ventilateur et l'éclairage en marche. Si la hotte ne fonctionne pas, assurez-vous que le disjoncteur ou le fusible du domicile n'a pas sauté. Si l'unité ne fonctionne toujours pas, débranchez l'alimentation et vérifiez si les branchements ont été réalisés correctement.

« INSTRUCTIONS DE MISE À LA TERRE

Cet appareil doit être mis à la terre. La mise à la terre réduit le risque de choc électrique en cas de court-circuit, car elle fournit un fil d'évacuation au courant électrique. Cet appareil est muni d'un cordon présentant un fil de mise à la terre, avec une fiche de mise à la terre. La fiche doit être insérée dans une prise correctement installée et mise à la terre.

AVERTISSEMENT - Une mise à la terre inadéquate peut entraîner un choc électrique.

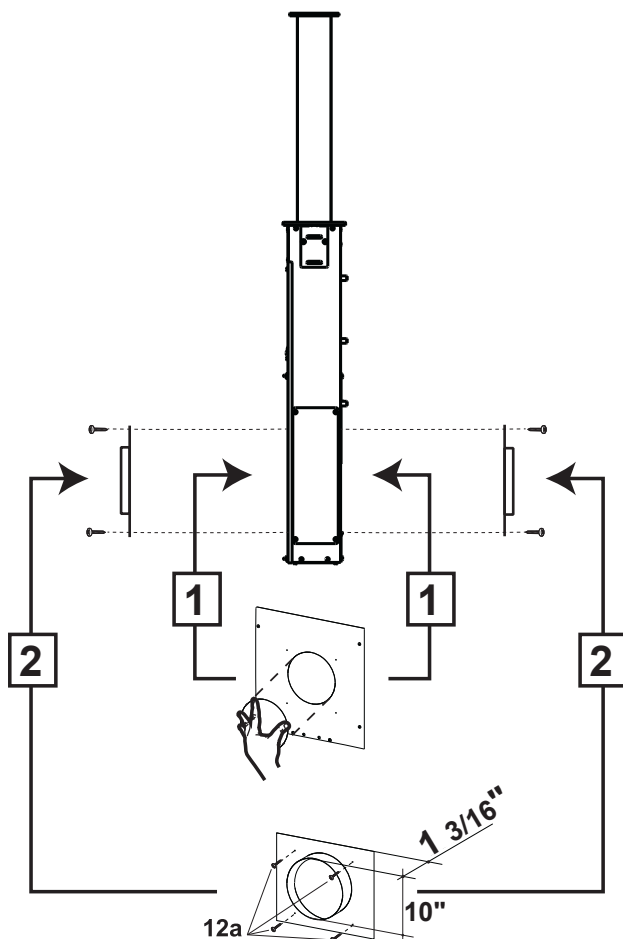
Consultez un électricien qualifié si vous ne comprenez pas parfaitement les instructions de mise à la terre ou si vous avez des doutes quant à la mise à la terre de l'appareil.

N'utilisez pas de rallonge. Si le cordon d'alimentation est trop court, demandez à un électricien qualifié d'installer une prise à proximité de l'appareil. »

Avvertissement : N'installez pas ce produit de façon à ce que le module électrique se trouve en contact avec le sol.

Connexion de la sortie d'air avec le moteur accessoire à distance

Pour raccorder la hotte au tuyau de sortie, sélectionnez la version appropriée.



Sorties standard

Selon la direction de ventilation (avant ou arrière), défonyez l'orifice de sortie déjà marqué et vissez la pièce dont le numéro est indiqué sur la liste des pièces principales, à l'aide des 4 vis 12a fournies.

9

Installation du cache supérieur

- Soulevez d'environ 1-2" le tirage descendant à la position élevée (consultez la page 15 pour en savoir plus sur l'utilisation des commandes).

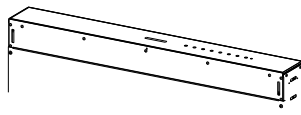
- Retirez les protections en éponge sur les coins du verre.
- Prenez le cache supérieur et insérez-le à partir du dessus, en vous assurant que ses pattes sont insérées dans les rainures sur le tirage descendant et en le faisant glisser vers la gauche.

Avertissement : Toutes les pattes doivent être insérées.

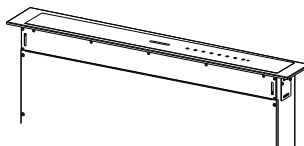
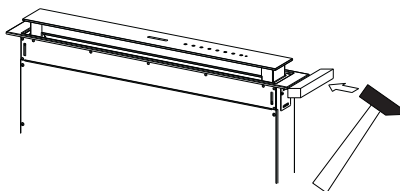
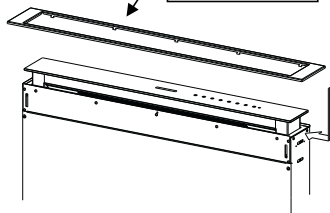
- Utilisez un maillet en caoutchouc mou ou un outil similaire pour taper le long du cache supérieur de droite à gauche, jusqu'à ce qu'il soit complètement de niveau.

Il est possible d'insérer une pièce de bois ou une cale de caoutchouc entre le marteau et le cache avant pour prévenir les dommages.

- Veuillez vous reporter au paragraphe sur l'utilisation pour en savoir plus sur le retour du tirage descendant à la position de base.



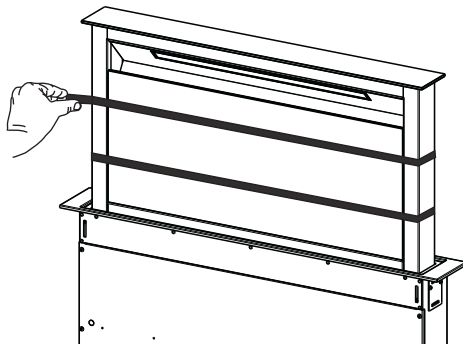
Warning..:
Handle
with care



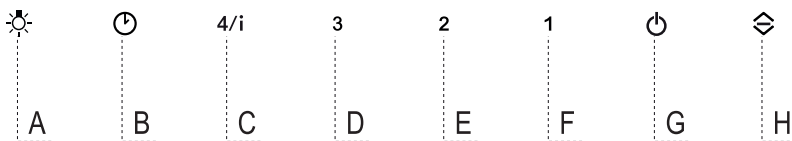
10

Panneau de protection avant

- Soulevez la partie télescopique à la position élevée (consultez la page 15 pour en savoir plus sur l'utilisation des commandes).
- Enlevez les 2 bandes de ruban adhésif qui retiennent le panneau durant le transport.



INFORMATIONS POUR L'UTILISATION ET L'ENTRETIEN

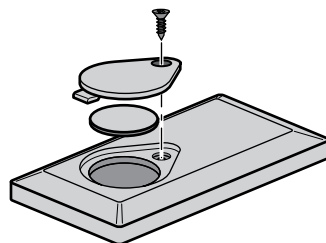


Touche	Fonction	Touche led
A	Fonctionne seulement avec la porte ouverte.	
	Appui bref = Allume/Eteint l' éclairage à l'intensité maximum.	
	Appui de 2 secondes = Allume/Eteint les lumières de courtoisie .	
B	Fonctionne seulement avec la porte ouverte. Appui bref = Branche/Débranche le Delay , l'extinction automatique différée de 30', du moteur et de l'installation d'éclairage à partir de n'importe quelle vitesse. Pour la désactiver, appuyer sur cette même touche, couper le moteur ou fermer la porte .	Touche Led B + touche de la vitesse programmée allumées.
	Fonctionne aussi bien avec la porte fermée qu'ouverte. Appui de 2 secondes = L'alarme filtres étant en cours, effectuer le Reset de l'alarme filtres, tous les voyants sont 3 clignotements. Ces signalisations sont visibles seulement lorsque le moteur est coupé.	Touche led fixe : signale la nécessité de laver les filtres à graisse métalliques. L'alarme entre en fonction après 100 heures de fonctionnement effectif de la hotte. Touche led clignotante : signale la nécessité de remplacer les filtres à charbon actif. Laver également les filtres à graisse métalliques. L'alarme entre en fonction après 200 heures de fonctionnement effectif de la hotte.
	Fonctionne aussi bien avec la porte fermée qu'ouverte avec moteur + éclairage = Off. Appui de 4 secondes = Valide/Invalide le Blocage clavier .	Toutes les touches leds clignotent 2 fois. Durant le blocage, les touches leds s'éclairent en séquence.
C	Fonctionne seulement avec la porte ouverte. Appui bref = Active la quatrième vitesse .	Touche led fixe
	Fonctionne seulement avec la porte ouverte. Appui de 2 secondes = Valide/Invalide la vitesse intensive . Cette vitesse est temporisée à 6 minutes. À la fin de ce délai, le système retourne à la vitesse précédemment réglée. Pour la désactiver, appuyer sur cette même touche, couper le moteur ou fermer la porte .	Touche led clignotante
D	Fonctionne seulement avec la porte ouverte. Active la troisième vitesse .	Touche led fixe
E	Fonctionne seulement avec la porte ouverte. Active/Désactive la deuxième vitesse .	Touche led fixe
F	Fonctionne seulement avec la porte ouverte. Appui bref = Active/Désactive la première vitesse .	Touche led fixe
	Porte ouverte ou fermée Appui de 2 secondes = Valide/Invalide l' alarme filtres à charbon actif avec moteur coupé et sans alarmes filtres en cours.	2 Clignotements touche led B = Alarme filtres C.A. Activée 1 clignotement touche led B = Alarme filtres C.A. Désactivée
G	Porte ouverte Appui bref = Coupe le moteur	Extinction de la touche led.
	Porte ouverte ou fermée Appui de 2 secondes avec moteur et éclairage Off = Valide/Invalide la télécommande	2 clignotements touches leds G + F = Télécommande validée 1 clignotement touches leds G + F = Télécommande invalidée
H	Porte ouverte = Ferme la porte + Éclairage et Moteur Off Porte fermée = Ouvre la porte + Éclairage et Moteur On. Attention : Si, pour une raison quelconque, la porte est partiellement ouverte, en appuyant sur la touche la porte terminera son cycle d'ouverture ou de fermeture.	

Télécommande (achetée séparément)

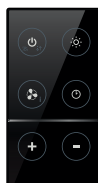
Cet appareil peut être commandé via une télécommande, alimentée avec une batterie 3 V type CR2032 (non fournie).

- Ne pas ranger la commande à proximité de sources de chaleur.
- Ne pas jeter les batteries dans la nature, mais les déposer dans les bornes de collecte.



Panneau de télécommande

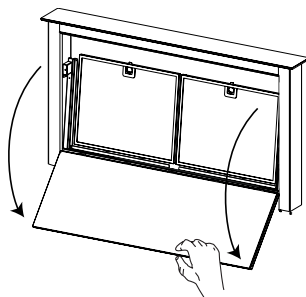
Avvertissement : Le récepteur de télécommande est désactivé lors de la livraison. Pour l'activer, consultez le paragraphe sur l'utilisation de la fonction du bouton **G**.



⏻	Moteur	Porte fermée :
		Ouvre la porte, branche le moteur à la première vitesse et l'éclairage à l'intensité maximum.
-		Porte ouverte :
		Appui bref : On / Off Moteur
		Appuyée pendant 2 secondes : Ferme la porte et Moteur + Éclairage = Off
+		Seulement avec la porte ouverte :
		Diminue la vitesse de fonctionnement à chaque appui.
⌚	Intensive	Seulement avec la porte ouverte :
		Active la fonction Intensive
⌚	Delay	Seulement avec la porte ouverte :
		Active la fonction Delay
☀️	Éclairage	Seulement avec la porte ouverte :
		Appui bref : On / Off Éclairage Appuyée pendant 2 secondes : On / Off Lumières de courtoisie

Nettoyage des panneaux de protection avant

- Ouvrez le panneau de protection avant en le tirant sur le haut.
- Détachez le panneau du cadre de la hotte.
- Le panneau ne doit jamais être lavé au lave-vaisselle.
- Nettoyez l'extérieur à l'aide d'un linge humide et d'un détergent neutre.
- Nettoyez l'intérieur à l'aide d'un linge humide et d'un détergent neutre. N'utilisez pas des linges ou des éponges mouillés, un jet d'eau ou des substances abrasives.
- Lorsque vous avez terminé, fixez le panneau et refermez-le.



Nettoyage des filtres à graisse métalliques

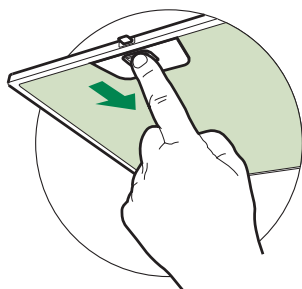
Ils peuvent aussi être lavés dans le lave-vaisselle et doivent être nettoyés lorsque le bouton B s'allume ou au moins une fois tous les 2 mois d'usage, ou encore plus fréquemment en cas d'utilisation particulièrement intensive.

Réinitialisation du signal d'alarme

- Éteignez l'éclairage et le moteur.
- Appuyez et tenez enfoncé le bouton B pendant 2 secondes.

Nettoyage des filtres

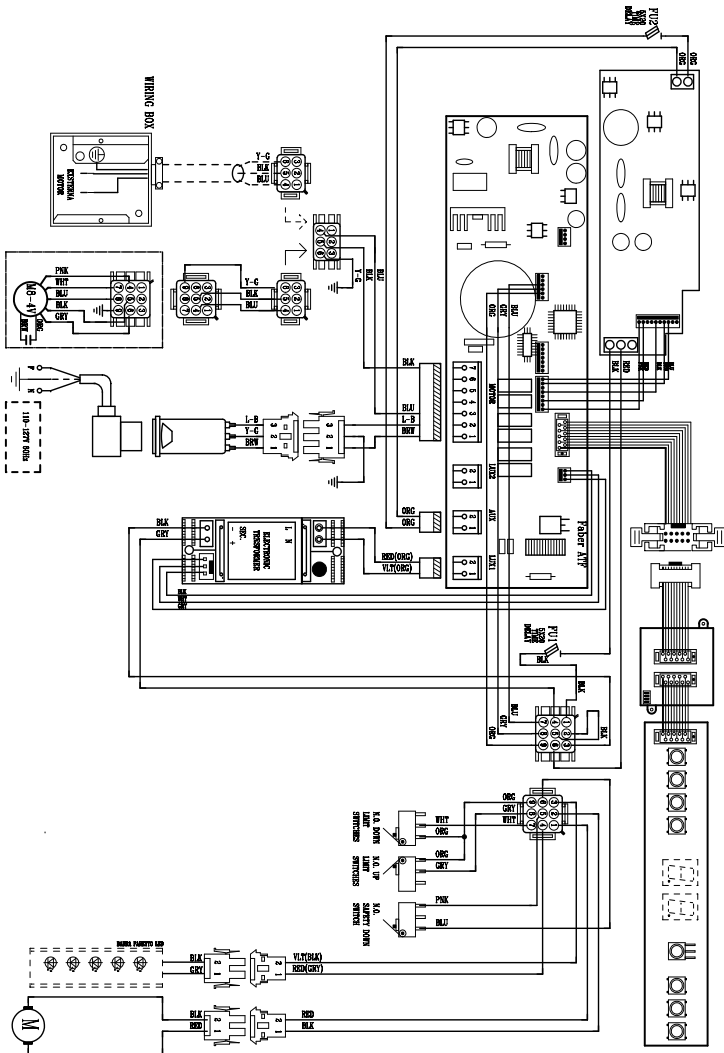
- Faites monter le tirage descendant dans la position élevée (consultez UTILISATION).
- Tirez vers l'avant sur le bord supérieur du protecteur avant pour l'abaisser.
- Retirez les filtres un à un, en les poussant vers l'arrière de l'appareil et en les tirant vers le bas simultanément.
- Lavez les filtres sans les plier et laissez-les sécher complètement avant de les remettre en place. (Si la surface du filtre change de couleur au fil du temps, cela n'aura aucun impact sur l'efficacité du filtre même.)
- Remettez-les en place, en vous assurant que la poignée se trouve vers l'avant.
- Refermez le panneau de protection avant.



SYSTÈME D'ÉCLAIRAGE À DEL

- Les ampoules DEL doivent être remplacées par un service d'entretien autorisé Faber.

Schéma de câblage





GARANTIE LIMITÉE ET SERVICE FABER

Tous les produits Faber font l'objet d'une garantie contre les défauts de matériel et de main-d'œuvre, accordée à l'acheteur original pour une période d'un (1) an à compter de la date d'achat initiale (preuve d'achat requise). Cette garantie couvre les frais de main-d'œuvre et les pièces de rechange. À sa discrétion, Faber peut réparer ou remplacer le produit ou les composants nécessaires à remettre le produit en bon état de marche. Pour bénéficier de services prévus par la garantie, veuillez communiquer avec le détaillant auprès duquel vous avez acheté la hotte de cuisine, ou encore avec le distributeur Faber de votre région. Si vous n'êtes pas en mesure de localiser un distributeur Faber dans votre région, veuillez communiquer avec nous au 508-358-5353 pour connaître le nom d'un distributeur à proximité.

Les éléments suivants ne sont pas visés par la garantie Faber :

1. Les appels au service de réparation visant à corriger l'installation de la hotte de cuisine, à recevoir des instructions sur l'utilisation de la hotte de cuisine, le remplacement ou la réparation des fusibles du domicile ou la correction des câblages ou de la plomberie du domicile.
2. Les appels au service de réparation visant à réparer ou remplacer les ampoules électriques de hotte, les fusibles ou les filtres. Ces pièces consommables ne sont pas couvertes par la garantie.
3. Les réparations si votre hotte de cuisine est employée à des fins autres que celles prévues, soit l'utilisation résidentielle normale pour une famille.
4. Les dommages découlant d'un accident, d'une modification, de l'utilisation incorrecte ou abusive, d'un incendie, d'une inondation, d'un cas de force majeure, d'une installation inadéquate, d'une installation non conforme aux codes en matière d'électricité ou de plomberie ou à la documentation fournie par Faber, ou encore d'une utilisation du produit non approuvée par Faber.
5. Les frais de main-d'œuvre ou de remplacement des pièces pour les appareils utilisés à l'extérieur des États-Unis ou du Canada, y compris toutes les hottes de cuisine Faber non-UL ou C-UL homologuées.
6. Les réparations à la hotte découlant de modifications non autorisées apportées à la hotte de cuisine.
7. Les frais encourus pour les déplacements et le transport de produits en région éloignée et les frais de cueillette et livraison. La réparation des hottes de cuisine Faber doit être réalisée à domicile.

LA PRÉSENTE GARANTIE NE PRÉVOIT AUCUNE FORME DE DÉDOMMAGEMENT EN CAS DE DOMMAGES ACCESSOIRES OU CONSÉCUTIFS, Y COMPRIS, SANS TOUTEFOIS S'Y LIMITER, LES DOMMAGES DIRECTS, INDIRECTS, ACCESSOIRES, PARTICULIERS OU CONSÉCUTIFS, LES LÉSIONS CORPORELLES/MORTELLES OU LA PERTE DE PROFITS. LA GARANTIE OFFERTE PAR FABER EST LIMITÉE AUX CONDITIONS ÉNONCÉES CI-DESSUS ET À LA PÉRIODE DE GARANTIE INDIQUÉE DANS LES PRÉSENTES ET EST EXCLUSIVE. SAUF DISPOSITIONS EXPRESSES CONTRAIRES DANS LE PRÉSENT ACCORD, FABER DÉCLINE TOUTE CONDITION, REPRÉSENTATION OU GARANTIE EXPLICITE OU IMPLICITE, Y COMPRIS, SANS TOUTEFOIS S'Y LIMITER, TOUTE GARANTIE IMPLICITE DE QUALITÉ MARCHANDE OU D'ADAPTATION À UN USAGE PARTICULIER.

Les droits qui vous sont conférés en vertu de la présente garantie peuvent varier d'une province ou d'un État à l'autre.

N° de modèle : _____

N° de série : _____

4 janvier 2016

