

# RF27T5501SR

SAMSUNG

## 27 cu. ft. 3-Door French Door Refrigerator with Family Hub™ and External Water & Ice Dispenser



### Connected Living at Your Fingertips

#### Bring the party to the kitchen.

Compatible with your favorite music apps. Stream your favorite music on the Family Hub and enjoy quality listening.

#### Appliances that work together to simplify your life.

Connected Living Appliance Alerts

#### The Family Hub is your remote control.

See who's at the front door. Monitor the baby's room. Adjust the thermostat.

#### Bring the family room into the kitchen, and never miss a moment.

Mirror shows, movies, or live sports from your Samsung TV.

#### Plan dinner in a snap.

See inside your refrigerator from anywhere. Search for recipes. Shop for groceries.

#### Stay connected, even on the go.

Upload pictures remotely to Family Hub. Leave handwritten notes for loved ones. Set reminders for when you get home.

### Available Colors

 Fingerprint Resistant Stainless Steel (shown)

 Fingerprint Resistant Black Stainless Steel



Family Hub™



Large Capacity

### Design

- Large Capacity of 27 cu. ft.
- Fingerprint Resistant Finish
- Minimal Display Dispenser: external filtered water and ice
- High Efficiency LED Lighting
- EZ-Open Handle™

### Convenience

- Full-width internal refrigerator drawer
- Wi-Fi and Bixby Enabled
- Adjustable Spill Proof Shelves
- Door Alarm
- Water Filter Indicator

### Performance

- All-Around Cooling
- Ice Max Ice Maker - Stores up to 4.2 lbs of ice

### Rating



ENERGY STAR® rated:  
746 kWh/yr

# RF27T5501SR

SAMSUNG

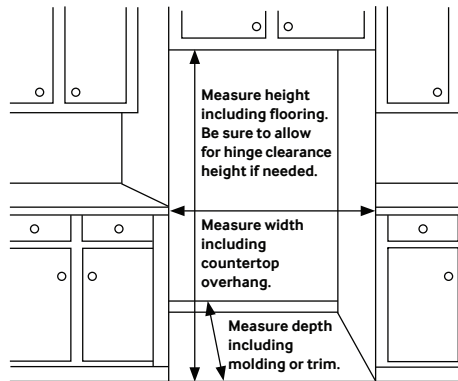
## 27 cu. ft. 3-Door French Door Refrigerator with Family Hub™ and External Water & Ice Dispenser

### Installation Specifications

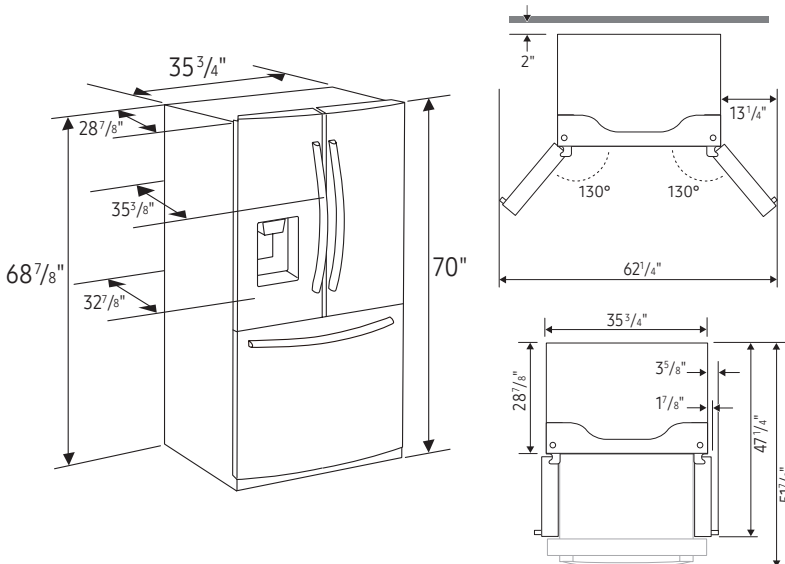
1. Measure the height, width and depth of the opening, making sure to include baseboards, molding tile, countertop overhang, etc. Check to be sure there is enough room to open the door (consider walls, islands or other obstacles when measuring).
2. Refer to illustration below to determine dimensions.
3. Allow 2.5" of clearance on hinge side of refrigerator when installing next to a wall where handle may make contact.
4. Allow 1" minimum clearance at rear for proper air circulation and water/electrical connections. Allow a 3/8" minimum clearance at sides and top for ease of installation.
5. Ensure each door and entryway in the home is wide enough for the refrigerator to be moved through easily.

For optimal usage and to be able to open refrigerator doors completely, do not install next to a wall.

Please note: The following dimension and cutout information is for planning purposes only. For complete installation details, consult manual packed with product, or download manual online at [samsung.com](http://samsung.com).



### Dimensions



**Total Capacity: 26.5 cu. ft.**

**Refrigerator: 17.9 cu. ft.**

- External Filtered Water and Ice Dispenser
  - Crushed or Cubed Ice
- Full Width Drawer
- 4 Tempered Glass Spill-Proof Shelves
- 2 Humidity-Controlled Crispers
- 6 Door Bins
  - Right Door: 3 Gallon Bins
  - Left Door: 3 Regular Bins
- Adjustable Shelves for Tall Oversized Items
- High Efficiency LED Lighting

**Freezer: 8.6 cu. ft.**

- EZ-Open Handle™
- 1 Large Opaque Bin with 1 Divider
- Auto Pull-Out Upper Drawer
- High Efficiency LED Lighting

### Accessories

Water Filter: HAF-QIN

### Warranty

One (1) Year Parts and Labor on Refrigerator  
Five (5) Years Parts and Labor on Sealed Refrigeration System Only\*  
Ten (10) Years Parts and Five (5) Years Labor on Digital Inverter Compressor

\*Compressor, evaporator, condenser, drier and connecting tubing.

### Product Dimensions & Weight

Dimensions (WxHxD with hinges, handles and doors):  
35 3/4" x 70" x 35 3/8"

Dimensions (WxHxD without hinges and door):  
35 3/4" x 68 7/8" x 28 7/8"

Dimensions (WxHxD with hinge and door, no handle):  
35 3/4" x 70" x 32 7/8"

Weight: 309 lbs

### Shipping Dimensions & Weight (WxHxD)

Dimensions: 37 3/4" x 75 5/16" x 35 15/16"

Weight: 318 lbs

### Color

Fingerprint Resistant  
Stainless Steel

### Model #

RF27T5501SR

### UPC Code

887276408774

Fingerprint Resistant  
Black Stainless Steel

RF27T5501SG

887276408767