



# Refrigerator

## User manual

Free Standing Appliance

**SAMSUNG**

# Contents

---

<b>Safety information</b>	<b>4</b>
What you need to know about the safety instructions	4
Important safety symbols and precautions:	5
State of California Proposition 65 Warning	5
Important safety precautions	5
Severe warning signs for transportation and site	7
Critical installation warnings	8
Installation cautions	10
Critical usage warnings	10
Usage cautions	13
Cleaning cautions	14
Critical disposal warnings	15
<b>Installation</b>	<b>16</b>
Refrigerator at a glance	16
Step-by-step installation	19
<b>Operations</b>	<b>40</b>
Main panel	40
SmartThings	50
SMART GRID Function (Demand Response)	53
Dispenser panel	58
Special features	59
<b>Maintenance</b>	<b>65</b>
Handling and care	65
Cleaning	75
Replacement	76



---

<b>Troubleshooting</b>	<b>78</b>
General	78
Do you hear abnormal sounds from the refrigerator?	82
SmartThings	84
Smart Grid (applicable models only)	85
<b>LIMITED WARRANTY (U.S.A.)</b>	<b>86</b>
SAMSUNG REFRIGERATOR	86
<b>Warranty Information (CANADA)</b>	<b>89</b>
If your refrigerator needs service	89
Limited Warranty for Original Purchaser	89
Obligation to the Original Owner	89
Exclusions of the Warranty	90
<b>Regulatory Notice</b>	<b>91</b>
FCC Notice	91
IC Notice	92
<b>Open Source Announcement</b>	<b>93</b>

---



# Safety information

---

Before using your new Samsung Refrigerator, please read this manual thoroughly to ensure that you know how to operate the features and functions that your new appliance offers safely and efficiently.

## What you need to know about the safety instructions

---

- This appliance is not intended for use by persons (including children) with reduced physical, sensory or mental capabilities, or lack of experience and knowledge, unless they have been given supervision or instruction concerning use of the appliance by a person responsible for their safety. Children should be supervised to ensure that they do not play with the appliance.
- Because the following instructions cover various models, the characteristics of your refrigerator may differ slightly from the refrigerator described in this manual.
- If you have any question, contact us at 1-800-SAMSUNG or find help and information online at [www.samsung.com](http://www.samsung.com).
- Refrigerant squirting out of the pipes could ignite or cause an eye injury. When refrigerant leaks from the pipe, avoid any naked flames and move anything flammable away from the product and ventilate the room immediately.
  - Failing to do so may result in fire or explosion.
- Improper use of the grounding plug can result in a risk of electric shock. If it is necessary to use an extension cord, use only a 3-wire extension cord that has a 3-blade grounding plug and a 3-slot receptacle that will accept the plug on the appliance. The marked rating of the extension cord should be AC 115-120 V, 10 A, or more. If a grounding adapter is used, make sure the receptacle box is fully grounded.





---

## Important safety symbols and precautions:

---

Please follow all safety instructions in this manual. This manual uses the following safety symbols.

### **WARNING**

Hazards or unsafe practices that may result in **severe personal injury, property damage, and/or death.**

### **CAUTION**

Hazards or unsafe practices that may result in **severe personal injury and/or property damage.**

### **NOTE**

Useful information that helps users understand or benefit from the refrigerator.

These warning signs are here to prevent injury to you and others.

Please follow them carefully.

After reading this section, keep it in a safe place for future reference.

---

## State of California Proposition 65 Warning

---

### **WARNING**

Cancer and Reproductive Harm - [www.P65Warnings.ca.gov](http://www.P65Warnings.ca.gov).

---

## Important safety precautions

---



Warning; Risk of fire / flammable materials

### **WARNING**

- R-600a is used as a refrigerant. This product contains flammable gas (Refrigerant R-600a), contact your local authority in regard to safe disposal of this product.
- In order to avoid the creation of a flammable gas-air mixture if a leak in the refrigerating circuit occurs, the size of the room in which the appliance may be sited depends on the amount of refrigerant used. The room must be 35.3 ft<sup>3</sup> in size for every 8 g of R-600a refrigerant inside the appliance.

# Safety information

---

- The installation location should not be exposed to direct sunlight and not placed near any electric appliance or heat source, e.g. stove, oven or hob, radiator, etc.
- If you use two products side by side, for safety reason, be sure to use certified products in explosive gas atmospheres.
- Never start up an appliance showing any signs of damage. If in doubt, consult your dealer.
- If the supply cord is damaged, it must be replaced by the manufacturer, its service agent or similarly qualified persons in order to avoid a hazard.
- The socket must be easily accessible so that the appliance can be quickly disconnected from the supply in an emergency. It must be outside the area of the rear of the appliance.
- Do not store explosive substances such as aerosol cans with a flammable propellant in this appliance.
- New hose-sets supplied with the appliance are to be used and that old hose-sets should not be reused.
- When positioning the appliance, ensure the supply cord is not trapped or damaged.
- Do not locate multiple portable socket-outlets or portable power supplies at the rear of the appliance.

## **WARNING**

- System contains refrigerant under high pressure. Do not tamper with the system. It must be serviced by qualified persons only.
- Fill with potable water only.
- Keep ventilation openings, in the appliance enclosure or in the built-in structure, clear of obstruction.
- Do not use mechanical devices or other means to accelerate the defrosting process, other than those recommended by the manufacturer.
- Do not damage the refrigerant circuit.
- Do not use electrical appliances inside the food storage compartments of The appliance, unless they are of the type recommended by the manufacturer.
- Connect to potable water supply only.
- To avoid a hazard due to instability of the appliance, it must be fixed in accordance with the instructions.
- The refrigeration system is under high pressure. Do not tamper with it. Contact qualified service personal before disposal.

## **DANGER**

- Risk of child entrapment. Before you throw away your old refrigerator or freezer:
  - Take off the doors.
  - Leave the shelves in place so that children may not easily climb inside.



## CAUTION

- Risk Of Fire Or Explosion. Flammable Refrigerant Used. Do Not Use Mechanical Devices To Defrost Refrigerator. Do Not Puncture Refrigerant Tubing.
- Risk Of Fire Or Explosion. Flammable Refrigerant Used. To Be Repaired Only By Trained Service Personnel. Do Not Puncture Refrigerant Tubing.
- Risk Of Fire Or Explosion. Flammable Refrigerant Used. Consult Repair Manual/Owner's Guide Before Attempting to Service This Product. All Safety Precautions Must Be Followed.
- Risk Of Fire Or Explosion. Dispose Of Properly In Accordance With Federal Or Local Regulations. Flammable Refrigerant Used.
- Risk Of Fire Or Explosion Due To Puncture Of Refrigerant Tubing; Follow Handling Instructions Carefully. Flammable Refrigerant Used.
- To Prevent A Child From Being Entrapped, Keep Out Of Reach Of Children And Not In The Vicinity Of Freezer Or Refrigerator.

### **This appliance is intended to be used in household and similar applications such as**

- staff kitchen areas in shops, offices and other working environments;
- farm houses and by clients in hotels, motels and other residential type environments;
- bed and breakfast type environments;
- catering and similar non-retail applications.

## **Severe warning signs for transportation and site**

### WARNING

- When transporting and installing the appliance, care should be taken to ensure that no parts of the refrigerating circuit are damaged.
  - Refrigerant leaking from the pipe work could ignite or cause an eye injury. If a leak is detected, avoid any naked flames or potential sources of ignition and air the room in which the appliance is standing for several minutes.
  - This appliance contains a small amount of isobutane refrigerant (R-600a), a natural gas with high environmental compatibility that is, however, also flammable.



# Safety information

---

## Critical installation warnings

---

### **WARNING**

- Do not install the refrigerator in a damp location or place where it may come in contact with water.
  - Deteriorated insulation on electrical parts may cause an electric shock or fire.
- Do not place this refrigerator in direct sunlight or expose it to the heat from stoves, room heaters, or other appliances.
- Do not plug several appliances and the refrigerator into the same multiple power strip. The refrigerator should always be plugged into its own individual electrical outlet which has a voltage rating that matches the voltage listed on the refrigerator's rating plate.
  - This provides the best performance and also prevents overloading of house wiring circuits, which could overheat the wires and cause a fire hazard.
- If the wall socket is loose, do not insert the power plug.
  - There is a risk of electric shock or fire.
- Do not use a power cord that has cracks or abrasion damage along its length or at either end.
- Do not bend the power cord excessively or place heavy objects on it.
- Do not pull or excessively bend the power cord.
- Do not twist or tie the power cord.
- Do not hook the power cord over a metal object, place a heavy object on the power cord, insert the power cord between objects, or push the power cord into the space behind the appliance.
- When moving the refrigerator, be careful not to roll over or damage the power cord.
  - This may result in an electric shock or fire.
- Never unplug your refrigerator by pulling on the power cord. Always grip the plug firmly and pull straight out from the outlet.
  - Damage to the cord may cause a short-circuit, fire, and/or electric shock.
- Do not install this appliance near a heater or flammable material.
- Do not install this appliance in a location where gas may leak.
  - This may result in an electric shock or fire.
- This refrigerator must be properly located and installed in accordance with the instructions in this manual before you use it.
- Connect the power plug in the proper position with the cord hanging down.
  - If you connect the power plug upside down, the wire can get cut off and cause a fire or electric shock.
- Make sure that the power plug is not crushed or damaged by the back of the refrigerator.





- Keep the packing materials out of reach of children.
  - There is a risk of death from suffocation if a child puts the packing materials on his or her head.
- The appliance must be positioned so that the plug is accessible after installation.
  - Failing to do so may result in an electric shock or fire due to electric leakage.
- Do not install this appliance in a humid, oily or dusty location, or in a location exposed to direct sunlight or to water (rain drops).
  - Deteriorated insulation on electrical parts may cause an electric shock or fire.
- If large amounts of dust or water enter the refrigerator, disconnect the power plug and contact a Samsung Electronics service center.
  - Otherwise there is a risk of fire.
- Do not stand on top of the appliance or place objects (such as laundry, lighted candles, lighted cigarettes, dishes, chemicals, metal objects, etc.) on the appliance.
  - This may result in an electric shock, fire, problems with the product, or injury.
- You need to remove all the protective plastic film before you initially plug the product in.
- Children should be supervised to ensure that they do not play with the snap rings used for door adjustment or the water tube clips.
  - There is risk of death by suffocation if a child swallows a snap ring or water tube clip. Keep the snap rings and water tube clips out of children's reach.
- The refrigerator must be safely grounded.
  - Always make sure that you have grounded the refrigerator before attempting to investigate or repair any part of the appliance. Power leakages can cause severe electric shock.
- Never use gas pipes, telephone lines, or other potential lightning attractors as an electrical ground.
  - You must ground the refrigerator to prevent any power leakages or electric shocks caused by current leakage from the refrigerator.
  - Current leakage may result in an electric shock, fire, explosion, or problems with the product.
- Plug the power plug into the wall socket firmly. Do not use a damaged power plug, damaged power cord, or loose wall socket.
  - This may result in an electric shock or fire.
- Only a qualified technician or service company should be allowed to change the fuse in the refrigerator.
  - Failing to do so may result in an electric shock or personal injury.



# Safety information

---

## Installation cautions

---

### CAUTION

- Allow sufficient space around the refrigerator and install it on a flat surface.
  - Keep the ventilation space in the appliance enclosure or mounting structure clear of obstructions.
- After you have installed the refrigerator and turned it on, allow the appliance to stand for 2 hours before loading it with food.
- It is strongly recommended you have a qualified technician or service company install the refrigerator.
  - Failing to do so may result in an electric shock, fire, explosion, problems with the product, or injury.
- Overloading one door may make the refrigerator fall, causing physical injury.

## Critical usage warnings

---

### WARNING

- Do not insert the power plug into a wall socket with wet hands.
  - This may result in an electric shock.
- Do not store articles on the top of the appliance.
  - When you open or close the door, the articles may fall and cause personal injury and/or material damage.
- Do not insert hands, feet, or metal objects (such as chopsticks, etc.) into the bottom or the back of the refrigerator.
  - This may result in an electric shock or injury.
  - Any sharp edges may cause a personal injury.
- Do not touch the inside walls of the freezer or products stored in the freezer with wet hands.
  - This may cause frostbite.
- Do not put a container filled with water on the refrigerator.
  - If spilled, there is a risk of fire or electric shock.
- Do not keep volatile or flammable objects or substances (benzene, thinner, propane gas, alcohol, ether, LP gas, and other such products) in the refrigerator.
  - This refrigerator is for storing food only.
  - This may result in fire or explosion.
- Children should be supervised to ensure that they do not play with the appliance.
  - Keep fingers out of “pinch point” areas. Clearances between the doors and cabinet are necessarily small. Be careful when you open the doors if children are in the area.





- Do not let children hang on the door or door bins. A serious injury may occur.
- Do not let children go inside the refrigerator. They could become trapped.
- Do not insert your hands into the area under the appliance.
  - Any sharp edges may cause personal injury.
- Do not store pharmaceutical products, scientific materials, or temperature sensitive products in the refrigerator.
  - Products that require strict temperature controls must not be stored in the refrigerator.
- Do not place or use electrical appliances inside the refrigerator/freezer, unless they are of a type recommended by the manufacturer.
- If you smell smoke, pull out the power plug immediately, and then contact a Samsung Electronics service center.
- If large amounts of dust or water enter the refrigerator, disconnect the power plug and contact your Samsung Electronics service center.
  - Otherwise there is a risk of fire.
- Do not let children step on a drawer.
  - The drawer may break and cause them to slip.
- Do not leave the doors of the refrigerator open while the refrigerator is unattended and do not let children enter the refrigerator.
- Do not allow babies or children to go into a drawer.
  - It can cause death from suffocation by entrapment or personal injury.
- Do not overfill the refrigerator with food.
  - When you open the door, an item may fall out and cause personal injury or material damage.
- Do not spray volatile material such as insecticide onto the surface of the appliance.
  - As well as being harmful to humans, it may also result in an electric shock, fire, or problems with the product.
- Never put fingers or any objects into the water dispenser outlet, ice chute, or ice maker bucket.
  - It may cause a personal injury or material damage.
- Do not use or place any substances sensitive to temperature such as flammable sprays, flammable objects, dry ice, medicine, or chemicals near or inside the refrigerator.
- Do not use a hair dryer to dry the inside of the refrigerator. Do not place a lighted candle in the refrigerator to remove bad odors.
  - This may result in an electric shock or fire.
- Fill the water tank and ice cube trays with potable water only (tap water, mineral water, or purified water).
  - Do not fill the tank with tea, juice, or a sports drink. They can damage the refrigerator.



# Safety information

---

- Do not stand on top of the appliance or place objects (such as laundry, lighted candles, lighted cigarettes, dishes, chemicals, metal objects, etc.) on the appliance. This may result in an electric shock, fire, problems with the product, or injury. Do not put a container filled with water on the appliance.
  - If spilled, there is a risk of fire or electric shock.
- Never stare directly at the UV LED lamp for long periods of time.
  - This may result in eye strain due to the ultraviolet rays.
- Do not put a fridge shelf into the refrigerator upside down. The shelf stopper will not work.
  - The glass shelf could fall and cause personal injury.
- Keep fingers out of “pinch point” areas. Clearances between the doors and cabinet are necessarily small. Be careful when you open the doors if children are in the area.
- If a gas leak is detected, avoid any naked flames or potential sources of ignition, and air the room in which the appliance is standing for several minutes.
  - Do not touch the appliance or power cord.
  - Do not use a ventilating fan.
  - A spark may result in an explosion or fire.
- Use only the LED Lamps provided by the manufacturer or its service agents.
- Bottles should be stored tightly together so that they do not fall over or out.
- This product is intended only for the storage of food in a domestic environment.
- Never put fingers or any objects into the water dispenser outlet, ice chute, or ice maker bucket.
  - This can cause a personal injury or material damage.
- Do not attempt to repair, disassemble, or modify the refrigerator yourself.
  - Unauthorized modifications can cause safety problems. To reverse an unauthorized modification, we will charge the full cost of parts and labor.
- Do not use any fuse (such as cooper, steel wire, etc.) other than a standard fuse.
- If your refrigerator needs to be repaired or reinstalled, contact your nearest Samsung service center.
  - Failing to do so may result in an electric shock, fire, problems with the product, or injury.
- If the interior or exterior LED lamp has gone out, contact your nearest Samsung service center.
- If the refrigerator emits a burning smell or smoke, unplug the refrigerator immediately and contact a Samsung service center.
  - Failing to do so may result in an electric or fire hazards.
- Pull the power plug out of the socket before changing the interior lamps of the refrigerator.
  - Otherwise, there is a risk of electric shock.



- If you experience difficulty changing a non-LED light, contact a Samsung service center.
- If the product is equipped with LED lamps, do not disassemble the Lamp Covers and LED lamps yourself.
  - Contact a Samsung service center.
- Plug the power plug into the wall socket firmly.
- Do not use a damaged power plug, damaged power cord, or loose wall socket.
  - This may result in an electric shock or fire.

## Usage cautions

### CAUTION

- Do not re-freeze frozen foods that have thawed completely.
- Use only the ice maker provided with the refrigerator.
- To get the best performance from the product:
  - Do not place food too close to the vents at the rear of the refrigerator as this can obstruct free air circulation in the refrigerator compartment.
  - Wrap food up properly or place it in airtight containers before putting it into the refrigerator.
  - Please observe maximum storage times and expiration dates of frozen goods.
- Do not put glass containers or bottles or carbonated beverages into the freezer.
  - The container may freeze and break, and this may result in injury.
- Service Warranty and Modification.
  - Any changes or modifications performed by a 3rd party on this finished appliance are not covered under Samsung warranty service, nor is Samsung responsible for safety issues that result from 3rd party modifications.
- Do not block the air vents inside the refrigerator.
  - If the air vents are blocked, especially with a plastic bag, the refrigerator can be over cooled. If a cooling period lasts too long, the water filter may break and cause water leakage.
- If the refrigerator is disconnected from the power supply, you should wait for at least five minutes before plugging it back in.
- If large amounts of water enter the refrigerator, pull out the power plug and contact a Samsung service center.
- Do not strike or apply excessive force to any glass surface.
  - Broken glass may result in a personal injury and/or property damage.

# Safety information

---

- Fill the water tank and ice cube trays with potable water only (tap water, mineral water, or purified water).
  - Do not fill the tank with tea, juice, or a sports drink. They can damage the refrigerator.
- If the refrigerator is flooded, shut off the power to the refrigerator and contact your nearest Samsung service center.
  - There is a risk of electric shock or fire.
- Do not keep vegetable oil in your refrigerator's door bins. The oil can solidify, making it foul-tasting and difficult to use. In addition, the open container can leak and the leaked oil can cause the door bin to crack. After opening an oil container, it is best to keep the container in a cool and shaded place such as a cupboard or pantry.
  - Examples of vegetable oil: olive oil, corn oil, grape-seed oil, etc.

## Cleaning cautions

---

### CAUTION

- Do not spray water directly on the inside or outside of the refrigerator.
  - There is a risk of fire or electric shock.
- Do not use a hair dryer to dry the inside of the refrigerator.
- Do not place a lighted candle in the refrigerator to remove bad odors.
  - This may result in an electric shock or fire.
- Do not spray cleaning products directly on the display.
  - Printed letters on the display may come off.
- If any foreign substance such as water has entered the appliance, unplug the power plug and contact your nearest Samsung service center.
  - Failing to do so may result in an electric shock or fire.
- Use a clean, dry cloth to remove any foreign matter or dust from the power plug blades. Do not use a wet or damp cloth when cleaning the plug.
  - Otherwise, there is a risk of fire or electric shock.
- Do not clean the appliance by spraying water directly onto it.
- Do not use benzene, thinner, or Clorox (bleach) to clean the refrigerator.
  - They may damage the surface of the appliance and may cause a fire.
- Never put fingers or any objects into the dispenser outlet.
  - This can cause a personal injury or material damage.
- Before cleaning or performing maintenance, unplug the appliance from the wall socket.
  - Failing to do so may result in an electric shock or fire.
- Use a clean sponge or soft cloth and a mild detergent in warm water to clean the refrigerator.



- 
- Do not use abrasive or harsh cleansers such as window sprays, scouring cleansers, flammable fluids, muriatic acid, cleaning waxes, concentrated detergents, bleaches, or cleansers containing petroleum products on exterior surfaces (doors and cabinet), plastic parts, door and interior liners, and gaskets.
    - These can scratch or damage the material.
  - Do not clean glass shelves or covers with warm water when they are cold. Glass shelves and covers may break if exposed to sudden temperature changes or impacts such as bumping or dropping.

### Critical disposal warnings

---

#### **WARNING**

- Children trapped inside a refrigerator can hurt themselves or suffocate to death.
- Please dispose of the packaging material from this product in an environmentally friendly manner.
- Ensure that none of the pipes on the back of the refrigerator are damaged prior to disposal.
- This product contains R-600a, a flammable gas, which is used as the refrigerant. Contact your local authorities regarding safe disposal of this product.
- When disposing of this refrigerator, remove the door/door seals and door latch so that small children or animals cannot become trapped inside. Children should be supervised to ensure that they do not play with the appliance.
  - If trapped inside, the child could be injured or suffocate to death.
- Cyclopentane is used in the insulation. The gases in the insulation material require a special disposal procedure. Please contact your local authorities in regard to the environmentally safe disposal of this product.
- Keep all packaging materials well out of the reach of children, as packaging materials can be dangerous to children.
  - If a child places a bag over his or her head, the child could suffocate.

# Installation

Follow these instructions carefully to ensure a proper installation of this refrigerator and to prevent accidents before using it.

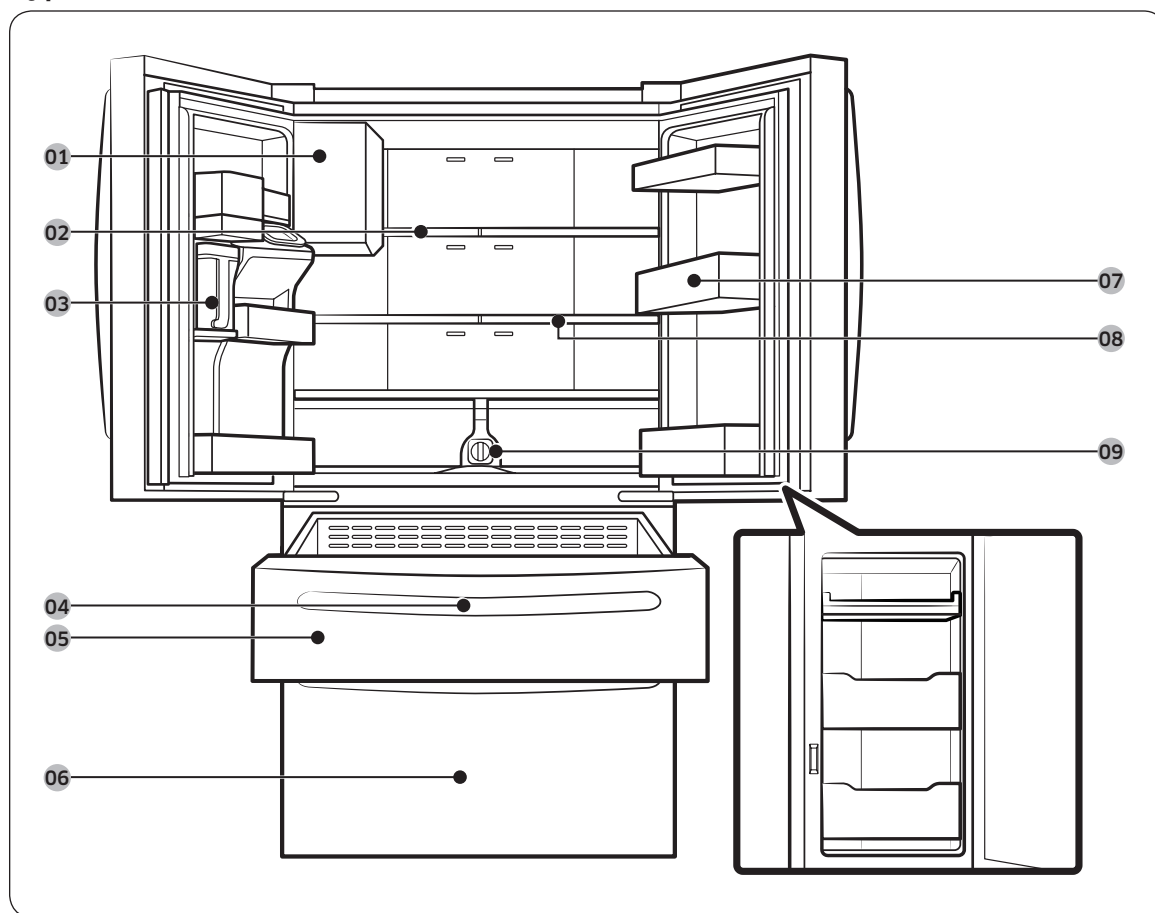
## **WARNING**

- Use the refrigerator only for its intended purpose as described in this manual.
- Any servicing must be performed by a qualified technician.
- Dispose of the product packaging material in compliance with the local regulations.
- To prevent electric shock, unplug the power plug before servicing or replacing parts.

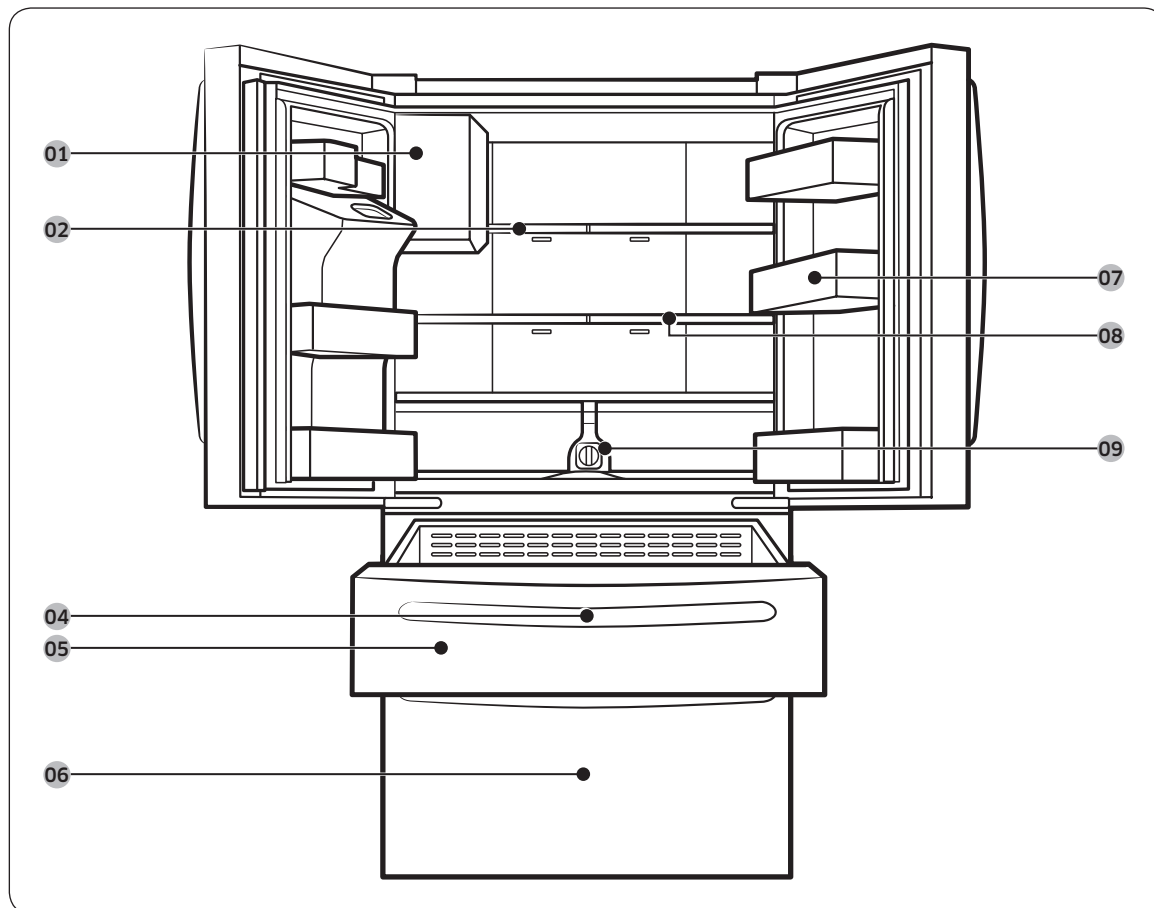
## Refrigerator at a glance

The actual refrigerator and provided component parts of your refrigerator may differ from the illustrations in this manual, depending on the model and the country.

### Type A



## Type B



**01** Auto Ice Maker

**03** Water tank (Auto Water Fill)

**05** FlexZone™

**07** Door bins

**09** Water filter

**02** 1-Step Foldable Shelf

**04** Main panel (on the FlexZone™ handle)

**06** Freezer

**08** 2-Step Foldable Shelf

\* applicable models only

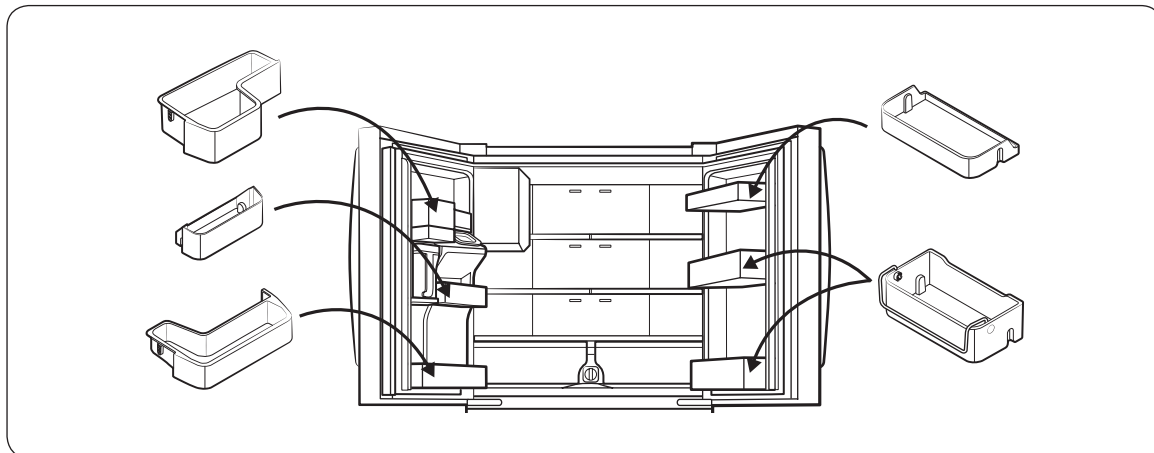
# Installation

## NOTE

- For energy efficiency, keep all shelves, drawers, and baskets in their original positions.
- When closing the door, make sure the vertical hinged section is in the correct position to avoid scratching the other door.
- If the vertical hinged section is reversed, put it back into the correct position, and then close the door.
- Moisture may form at times on the vertical hinged section.
- If you close a door forcefully, the other door may open.
- When a door is opened, the interlock switch automatically disables the auger motor of the ice maker for safety reasons.
- If the internal or external LED lamp is out of order, contact a local Samsung service center.
- If the door is left open for too long, the top internal LED will blink. This is normal.

## Door bins

Your refrigerator ships with door bins of different types and sizes. If the door bins for your refrigerator were packaged separately, use the figure below to help you position the bins properly.



## Step-by-step installation

### STEP 1 Select a site

Select a site that:

- Has a solid, level surface without carpeting or flooring that may obstruct ventilation
- Is away from direct sunlight
- Has adequate room for opening and closing the door
- Is away from any heat sources
- Provides room for maintenance and servicing
- Has a temperature range between 50 °F (10 °C) and 109 °F (43 °C)

### ⚠ CAUTION

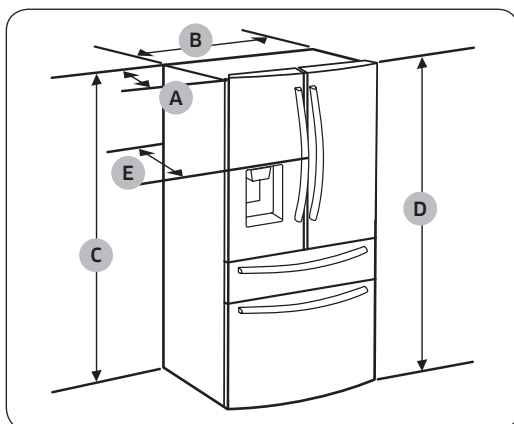
- If your refrigerator is equipped with an ice maker, provide extra space at the rear of the refrigerator for the water line connection.
- When you install the refrigerator next to a fixed wall, you must provide a minimum clearance of 3 <sup>3</sup>/<sub>4</sub>" (95 mm) from the wall to allow the door to swing open.

### 📄 NOTE

To facilitate moving your refrigerator to its final location, be sure to measure the width and height of doorways, thresholds, ceilings, stairways, and anything else that needs to be taken into consideration to ensure you can move your refrigerator safely. The following diagram illustrates the exact height and depth (factory specifications) of your refrigerator.

### Clearance

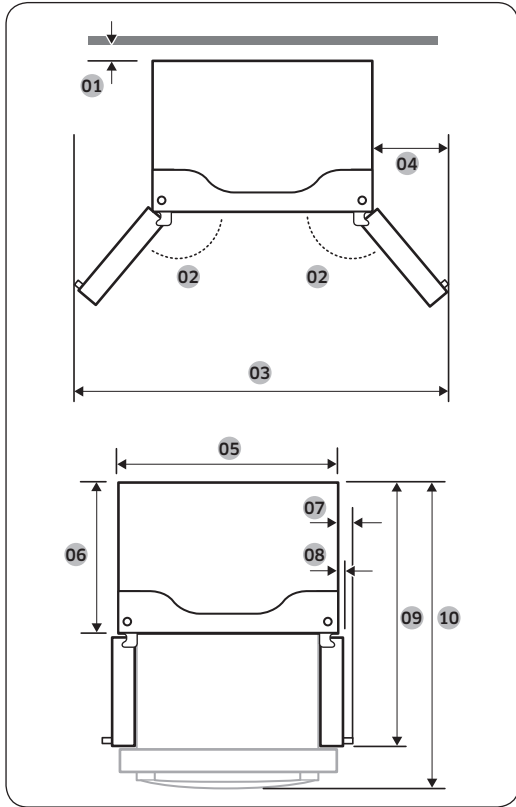
See the pictures and table below for space requirements for installation.



Model	RF22* / RF24*
Depth "A"	28 <sup>5</sup> / <sub>8</sub> " (726 mm)
Width "B"	35 <sup>6</sup> / <sub>8</sub> " (908 mm)
Height "C"	68 <sup>7</sup> / <sub>8</sub> " (1749 mm)
Overall Height "D"	70" (1777 mm)
Depth "E"	31" (788 mm)



# Installation



Model	RF22* / RF24*
01	2" (50 mm)
02	125°
03	62 1/8" (1578 mm)
04	13 2/8" (335 mm)
05	35 6/8" (908 mm)
06	24" (610 mm)
07	4 6/8" (122 mm)
08	2 3/8" (61 mm)
09	42 6/8" (1088 mm)
10	44 1/4" (1125 mm)

Installation

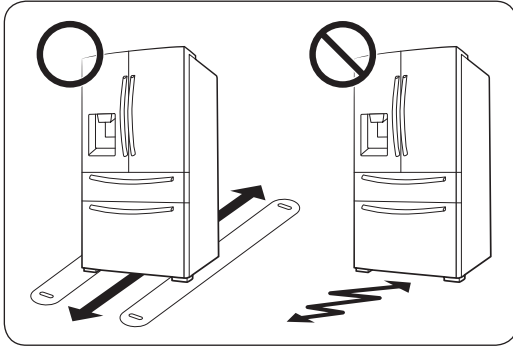
## NOTE

The measurements in the table above may differ slightly from the actual measurements, depending on the measuring and rounding method.

---

## STEP 2 Flooring

If the refrigerator cannot pass through the entrance due to its size, see **STEP 3 Door removal** for entrance.



### NOTE

To prevent floor damage, make sure the front levelling legs are in the upright position.

- The surface you install the refrigerator on must support a fully loaded refrigerator.
- To protect the floor, put a large piece of cardboard along the path to the refrigerator's final installation location.
- Once the refrigerator is in its final position, do not move it unless necessary to protect the floor. If you have to move the refrigerator, place thick paper or cloth such as old carpets along the path of movement.

# Installation

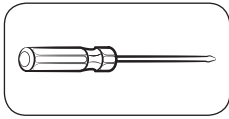
## STEP 3 Door removal for entrance

If the refrigerator cannot pass through the entrance to your home or kitchen due to its size, follow these instructions to remove and then re-install the refrigerator's doors. If you do not need to remove the doors, go to page 31 to continue the installation procedure.

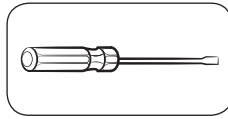
### **WARNING**

Unplug the power cord of the refrigerator before removing the doors.

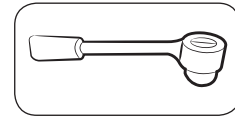
Tools required (not provided)



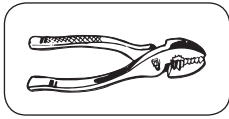
Phillips screwdriver



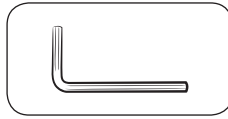
Flat-head screwdriver



Socket wrench  $\frac{3}{8}$ " (10 mm)



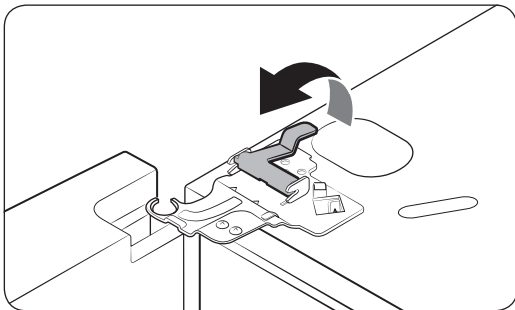
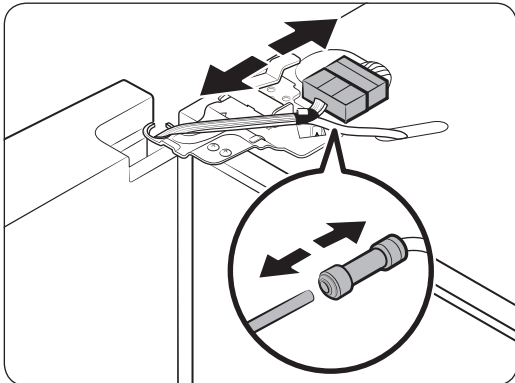
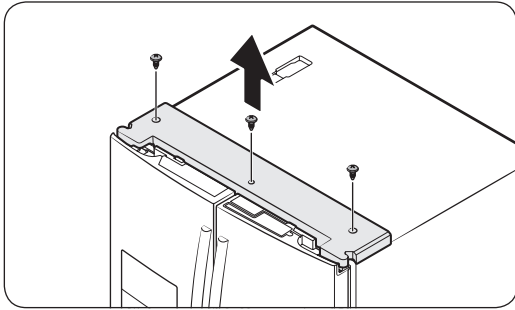
Pliers



Allen wrench  $\frac{1}{4}$ " (5 mm)

## Detach the fridge doors

### Left door



1. With the doors closed, use a Phillips head screwdriver to remove the screws (x3) in the top cover.

2. Disconnect the wires and the water tube from the left-side door. Do the following sequentially:

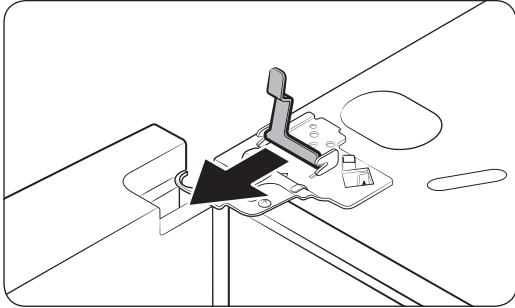
- Decouple the **connector**.
- While holding down one end of the water line coupler, disconnect the **water tube**.

### CAUTION

Keep the water tube clips out of children's reach.

3. Gently draw up the clamp in several steps. To prevent finger injuries, do not apply a sudden force to the clamp.

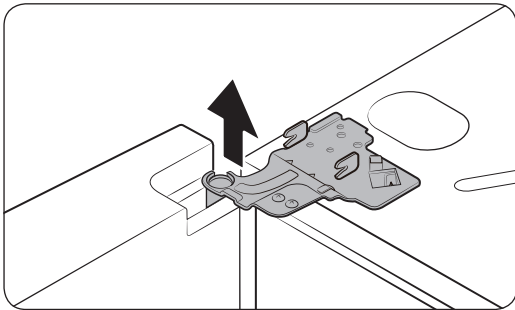
# Installation



4. Pull up the clamp to remove it.

 **NOTE**

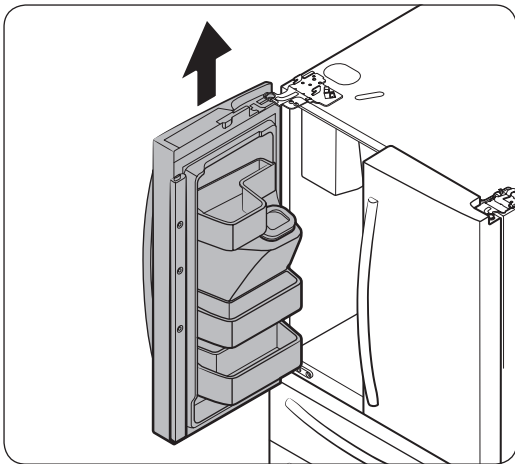
Be careful not to drop the clamp on the floor.



5. Open the door 90 degrees. While holding the door, pull up and remove the top hinge. Be careful not to damage the connector wires when you remove the hinge.

 **NOTE**

Be careful not to drop the hinge on the floor.



6. Gently pull up the door vertically to remove. Do not apply excessive force to the door. The door may fall, causing physical injury.

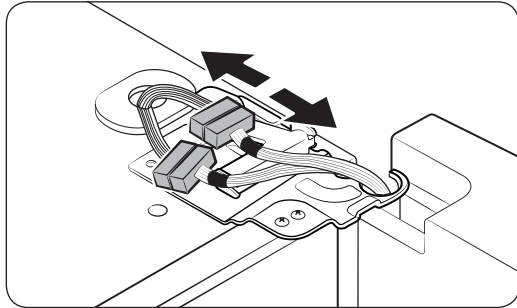
7. Lay the door down on a flat surface.

 **CAUTION**

Please put the door down slowly to prevent scratches.



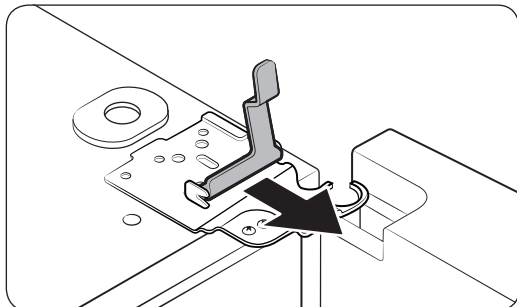
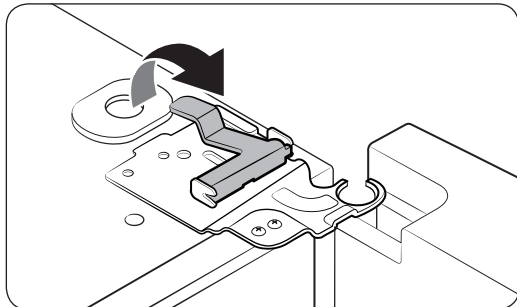
## Right door



1. Disconnect the wire connectors (x2) on the right door. The position of the connectors differs with the model.

### **CAUTION**

- Do not remove both doors simultaneously. Make sure to remove one door at a time. Otherwise, one of the doors may fall and cause physical injury.
  - Make sure the refrigerator is off before disconnecting the connectors.
2. Gently draw up the clamp in several steps. To prevent finger injuries, do not apply a sudden force to the clamp.

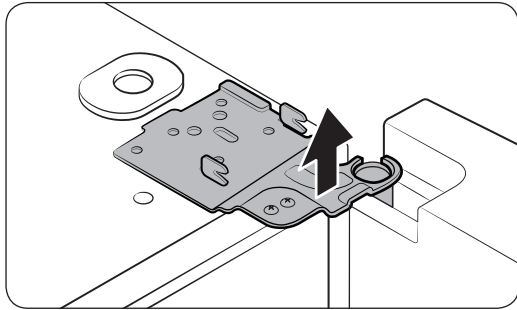


3. Pull up the clamp to remove it.

### **NOTE**

Be careful not to drop the clamp on the floor.

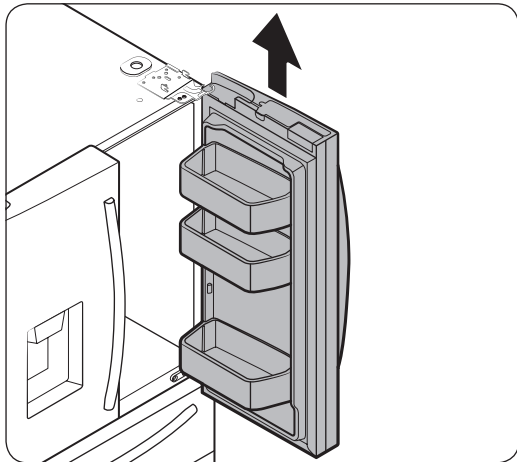
# Installation



4. Open the door 90 degrees. While holding the door, pull up and remove the top hinge. Be careful not to damage the connector wires when you remove the hinge.

 **NOTE**

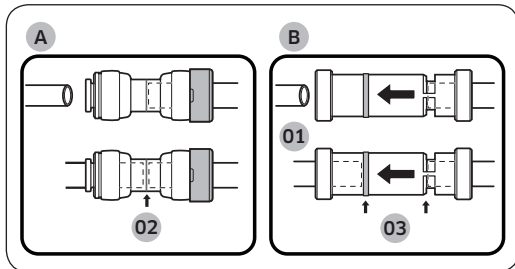
Be careful not to drop the hinge on the floor.



5. Gently pull up the door vertically to remove. Do not apply excessive force to the door. The door may fall, causing physical injury.
6. Lay the door down on a flat surface.

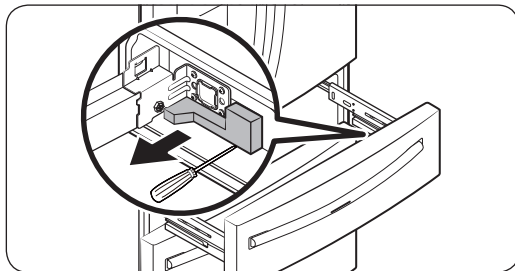
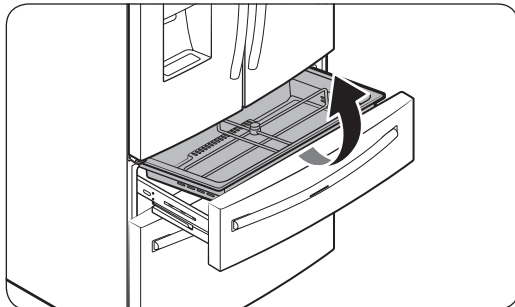
### To reattach the fridge door

After you have moved the refrigerator to its final location, reattach the doors by following the removal instructions in reverse order.



- 01 Dispenser
- 02 Center of transparent coupler
- 03 Guidelines

### Detach the FlexZone™ drawer

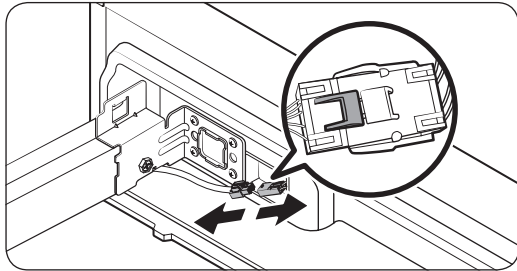


### ⚠ CAUTION

To prevent water leaks from the dispenser, the water line must be fully connected. Make sure both tubes of the water line are inserted fully to the center of transparent coupler (A) or the guidelines (B).

1. Lift up to remove the FlexZone™ basket.
2. Remove the **wire cover** along with the connector harness using a flat-head screwdriver.

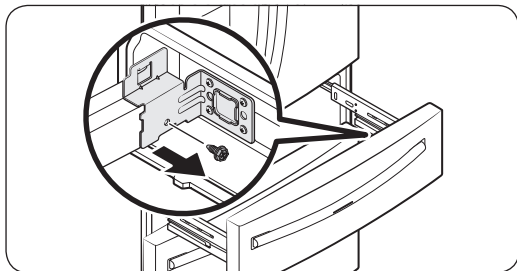
# Installation



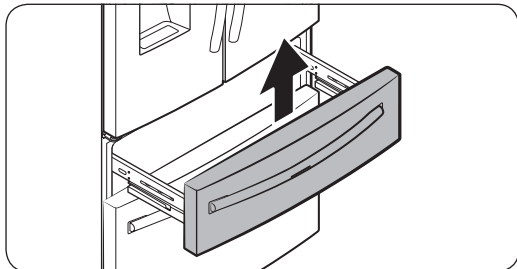
3. Press the **locking tab** to disconnect the wire connector.

## **⚠ CAUTION**

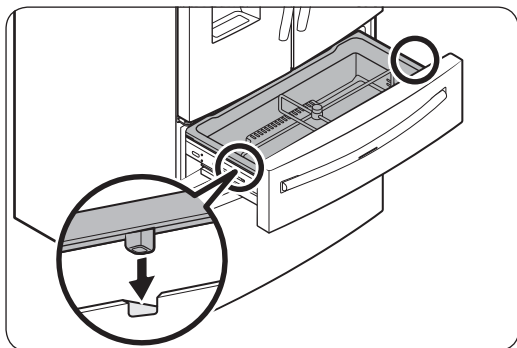
When relocking the tab, make sure to fully connect the wire connector. Otherwise, the FlexZone™ will not operate.



4. Remove the hex-head bolt on each side of the drawer using a 10 mm socket wrench.



5. Lift up to remove the **drawer front of the FlexZone™** from the rail assembly.



## **⚠ CAUTION**

- Use caution when removing the rail assembly, which may fall off causing damage to the floor.
- Make sure to put the FlexZone™ drawer in place after removing or mounting the FlexZone™ basket. The FlexZone™ drawer may not open or close if the freezer drawer is not in place.
- Do not store too much food in the FlexZone™ drawer. This prevents the FlexZone™ drawer from closing properly, resulting in frost buildup.

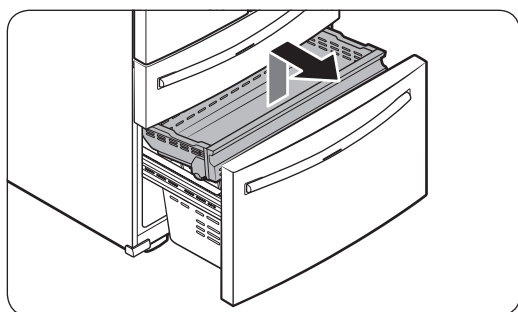
### To reattach the FlexZone™ drawer

After you have moved the refrigerator to its final location, re-attach the FlexZone™ drawer by following the removal instructions in reverse order.

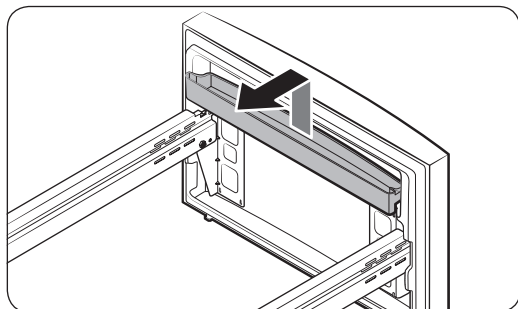
### CAUTION

If the FlexZone™ or the indicator does not operate properly, make sure the connectors are connected properly.

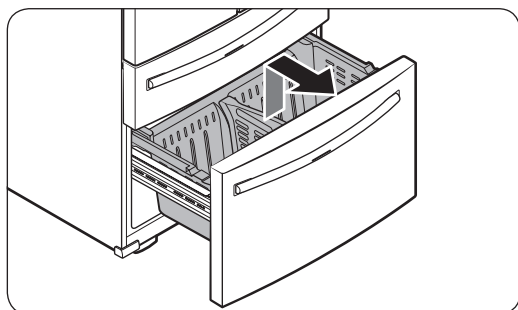
### To detach the freezer drawer



1. Push the **upper basket** to the end, and then pull up to remove.

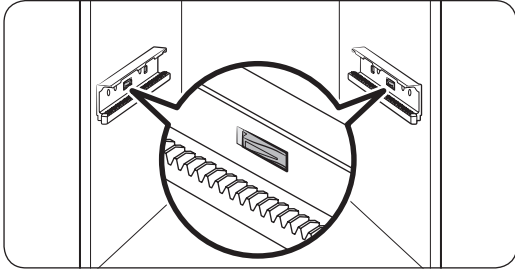


2. Lift up to remove the **door bin**.

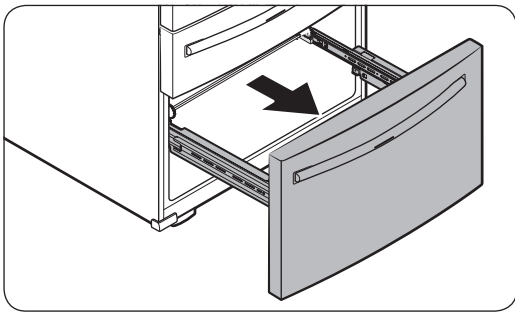


3. Then, pull up to remove the **lower basket** from the rail assembly.

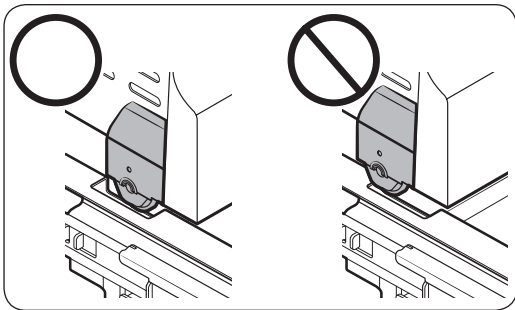
# Installation



4. Press down the hooks to unlock the rail assembly.



5. While holding the upper area of the freezer drawer front, slide the drawer out all the way to remove the freezer drawer from the rail assembly.



## CAUTION

- Be careful not to scratch or dent the rail assembly.
- Make sure you mount the freezer baskets in the correct position. Otherwise, the door will not open or close properly, which causes frost to build up.
- Do not store too much food in the freezer drawer. This prevents the freezer drawer from closing properly, resulting in frost buildup.

### To reattach the freezer drawer

Once the refrigerator is in or near its final location, re-attach the freezer drawer by following the directions in the reverse order of removal.



---

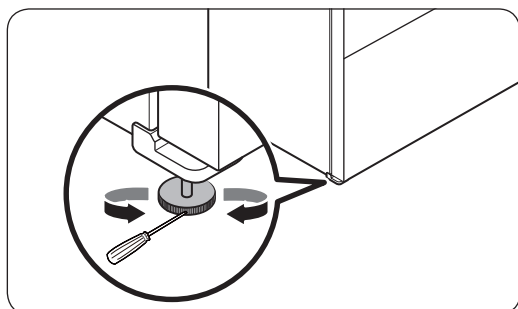
## STEP 4 Levelling the refrigerator

---

### CAUTION

- When installed, the refrigerator must be leveled on a flat, solid floor. Not leveling the refrigerator can cause damage to the refrigerator or physical injury.
- Levelling must be performed with the refrigerator empty. Make sure no food items are inside the refrigerator.
- For safety reasons, adjust the front a little higher than the rear.

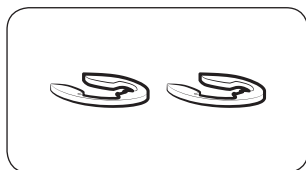
Level the refrigerator using the special screws (levellers) on the front legs. Use a flat-head screwdriver to turn the levellers.



- To adjust the height of the left side: Insert a flat-head screwdriver into the leveller of the left side front leg. Turn the leveller clockwise to raise the left side or turn it counterclockwise to lower.
- To adjust the height of the right side: Insert a flat-head screwdriver into the leveller of the right side front leg. Turn the leveller clockwise to raise the right side or turn it counterclockwise to lower.

# Installation

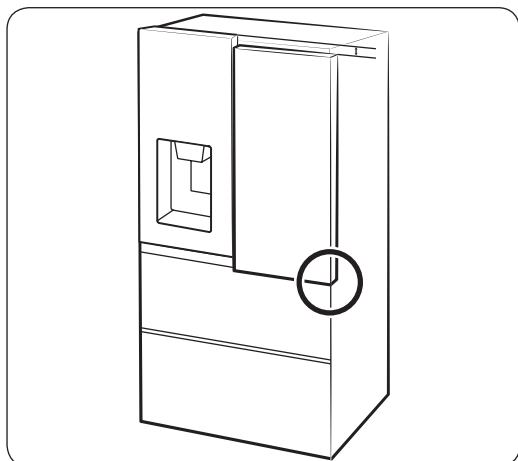
## STEP 5 Adjust the door height and the door gap



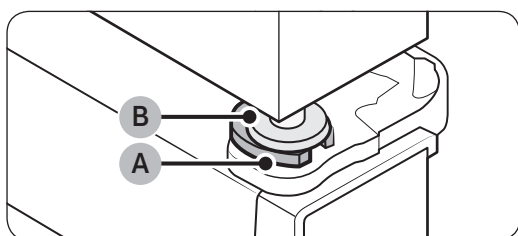
### Snap rings

The height of a door can be adjusted using the provided snap rings, which come in 4 different sizes (1 mm, 1.5 mm, 2 mm, and 2.5 mm).

To adjust the height of a door



1. Check the height difference between the doors, and then lift up and hold the door with the lower height.

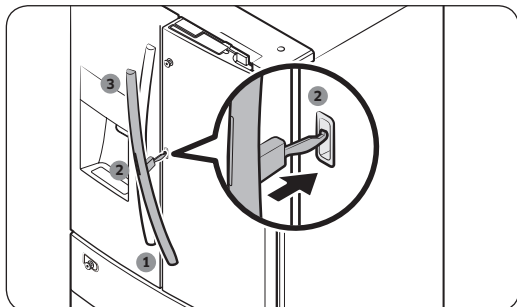
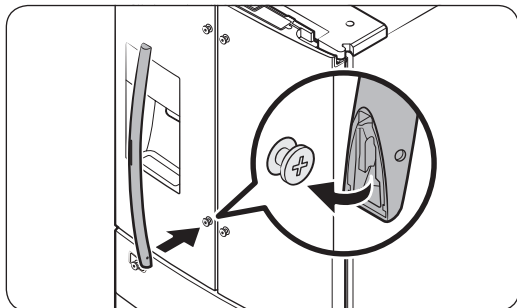
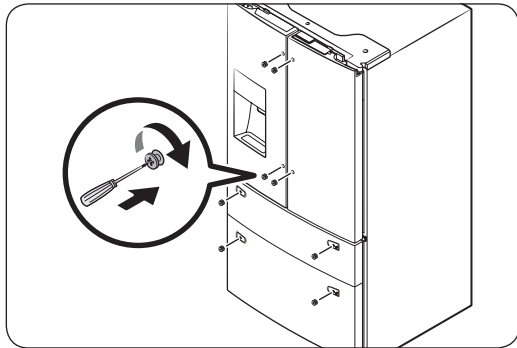
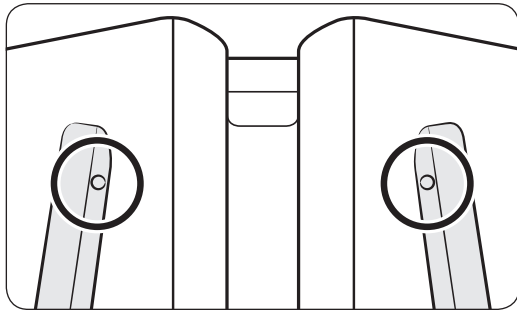


2. Insert a suitable-sized snap ring (A) between the door grommet (B) and the hinge as shown.

### CAUTION

- Insert only one snap ring. If you insert two or more snap rings, the rings may slip out or make a rubbing noise.
- Keep the snap rings out of children's reach and keep them for future use.
- Do not raise the door too much. The door can contact and damage the top cover.

## STEP 6 Attach the handles



### CAUTION

The refrigerator handles must be oriented in the correct direction.

- The fridge handles must be attached so that the holes on each face each other.
- The freezer handle must be attached so that its hole faces downwards.

1. Using a Phillips screwdriver, attach the handle screws to the refrigerator, two for each handle respectively, as shown in the illustration to the left.

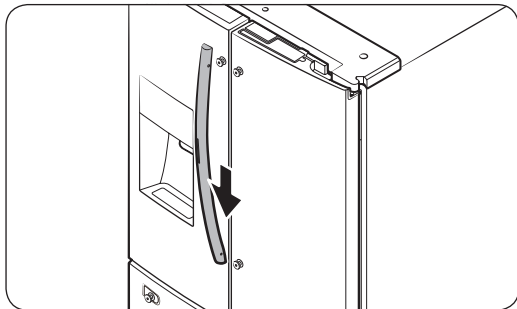
2. To attach the fridge handles to the refrigerator, first place the lower side of one handle onto the lower handle screw.

**For type B handle:** Attach the handle in the following order: (1) bottom, (2) middle, (3) top. Refer to the figure on the left.

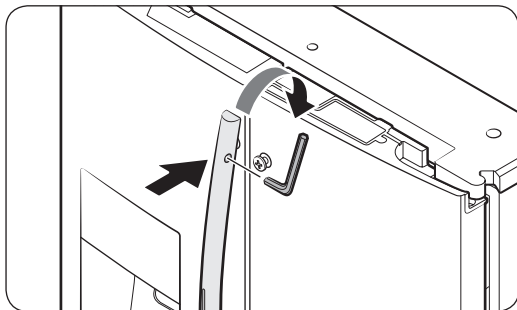
### NOTE

The design of the right side door handle may differ depending on your model.

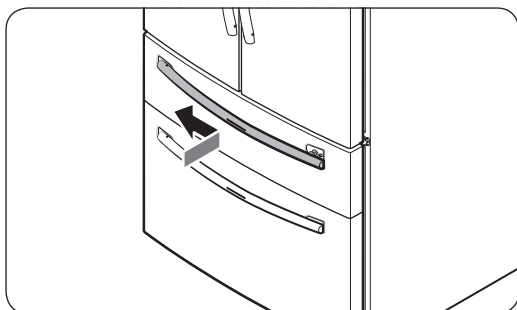
# Installation



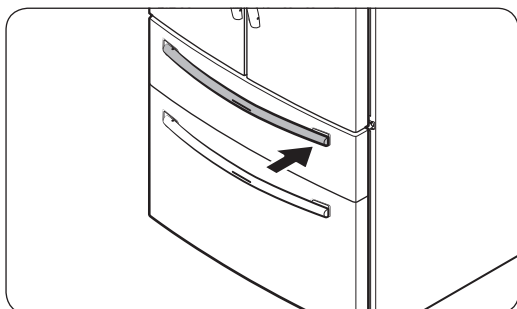
3. Push the handle down, and then place the upper side of the handle onto the upper handle screw.



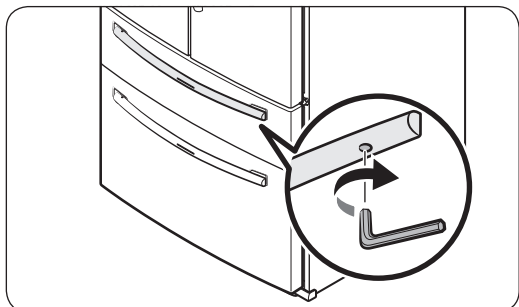
4. Insert the supplied wrench into the handle hole, and then turn it clockwise to tighten.
5. Repeat Steps 2 through 4 with the second refrigerator door handle.



6. To attach the freezer handle to the refrigerator, first place the left side of the freezer handle onto the left handle screw.



7. Push the handle to the left, and then place the right side of the freezer handle onto the right handle screw.



8. Insert the supplied wrench into the handle hole, and then turn it clockwise to tighten.

# Installation

## STEP 7 Connect the water dispenser line

A water dispenser with a filter is one of the helpful features on your new refrigerator. To help promote better health, the water filter removes unwanted particles from your water. However, it does not sterilize or destroy microorganisms. You may need to purchase a water purifying system to do that.

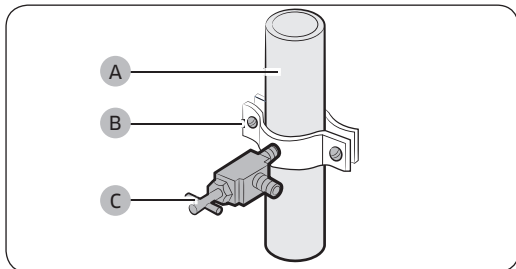
The water line also connects to the ice maker. For the ice maker to operate properly, water pressure of 20-125 psi is required.

If the refrigerator is installed in an area with low water pressure (below 20 psi), you can install a booster pump to compensate for the low pressure.

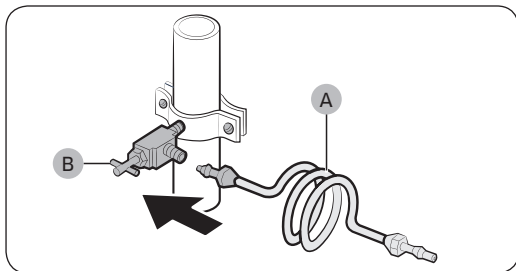
After you have connected the water line, make sure the water storage tank inside the refrigerator is properly filled. To do this, press the water dispenser lever until water runs from the water outlet.

### NOTE

- Water line installation kits are available at extra cost from your retailer. We recommend using a water line installation kit that contains copper tubing and a 1/4" (6 mm) compression nut.



1. Shut off the main water source.
2. Insert the **pipe clamp (B)** and the **shutoff valve (C)** into the **cold water line (A)**.

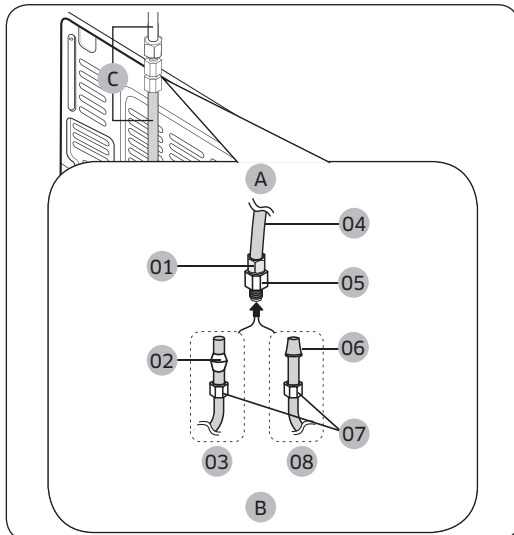


3. Connect the **water line installation kit (A)** to the **shutoff valve (B)**.

## Connect the water supply line to the refrigerator

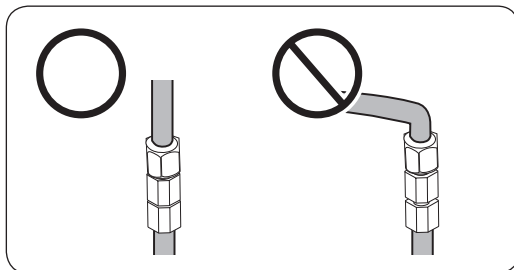
There are several items you must purchase to complete this connection. You may find these items sold as a kit at your local hardware store.

Copper Tubing	<ul style="list-style-type: none"> <li>• 1/4" copper tubing</li> <li>• 1/4" compression nut (1 pc)</li> <li>• Ferrule (2 pc)</li> </ul>
Plastic Tubing	<ul style="list-style-type: none"> <li>• 1/4" plastic tubing → Molded end (Bulb)</li> <li>• 1/4" compression nut (1 pc)</li> </ul>



- A. Refrigerator
- B. Household water supply line
- C. Water Line: must be kept straight.

- 01 Compression Nut (1/4") (Assembled)
- 02 Ferrule (Not supplied)
- 03 Copper tubing (Not supplied)
- 04 Plastic Tubing (Assembled)
- 05 Compression Fitting (Assembled)
- 06 Molded end (Bulb)
- 07 Compression nut (B) (1/4") (Not supplied)
- 08 Plastic Tubing (A) (Not supplied)

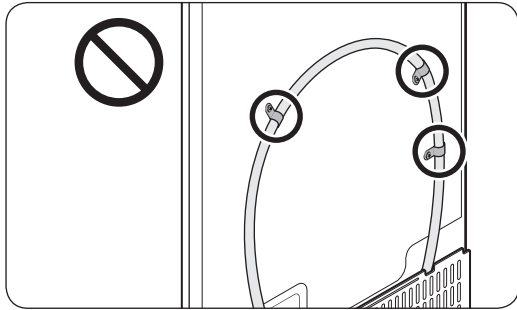


### NOTE

If you have to relocate the refrigerator after connecting the **water line (C)**, make sure the joined section of the water line is straight.



# Installation



## ⚠ CAUTION

Do not mount the water filter on any part of the refrigerator. This may damage the refrigerator.

1. Connect the household water line to the assembled compression fitting.
  - If you are using copper tubing, slip the **compression nut (B)** (not supplied) and **ferrule** (not supplied) on the copper tubing (not supplied) as shown.
  - If you are using **plastic tubing (A)**, insert the molded end (Bulb) of the **plastic tubing (A)** into the compression fitting.

## ⚠ CAUTION

- If you use **plastic tubing (A)**, do not use it without the molded end (Bulb).
  - Leaving the water line disconnected may cause the water valve to produce a buzzing sound over time. If this is the case, make sure that the ice making function is turned "OFF" and do not attempt to use the water dispenser.
2. Tighten the **compression nut (B)** onto the **compression fitting**. Do not over-tighten the **compression nut (B)**.
  3. Turn the water on and check for any leakage. If you find water drops or leakage in the connection areas, turn off the main water supply. Check the connections and, if necessary, tighten.
  4. Flush 1 gallon of water through the filter before drinking or using the water from the refrigerator. (Flush approximately 6 minutes.) To flush, press a large glass or cup against the water dispenser lever. Fill the glass, empty it, and then repeat.
  5. After you turn on the refrigerator, let the ice maker make ice for 1 to 2 days. Over that period of time, throw out the first 1 or 2 buckets of ice the ice maker makes to ensure all impurities have been removed from the water line.

## 📄 NOTE

Only connect the water line to a potable water source.

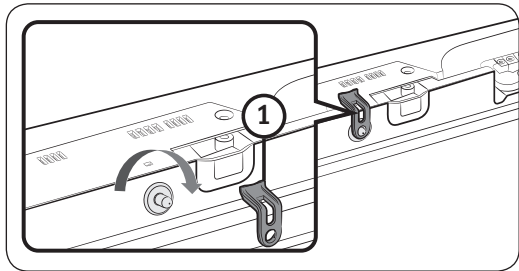
- If you have to repair or disassemble the water line, cut off  $\frac{1}{4}$ " of the plastic tubing to make sure you get a snug, leak-free connection.
- You can test the water line quickly using a paper cup. Under normal conditions, the water dispenser can fill a  $5\frac{3}{4}$  oz. (170 cc) cup in about 10 seconds.

---

## STEP 8 Initial settings

---

By completing the following steps, the refrigerator should be fully functioning.



### CAUTION

Before installing the refrigerator, make sure to remove the Cover Interlock (1) from the top of the fridge door. Otherwise, injuries may be caused by the ice crushing blade.

1. Plug the power cord into the wall socket to turn the refrigerator on.
2. Open the door, and check if the interior light lights up.
3. Set the temperature to the coldest setting, and wait for about an hour. Then, the freezer will be slightly chilled, and the motor should be running smoothly.
4. Wait until the refrigerator reaches the set temperature. Now the refrigerator is ready for use.

## STEP 9 Final check

---

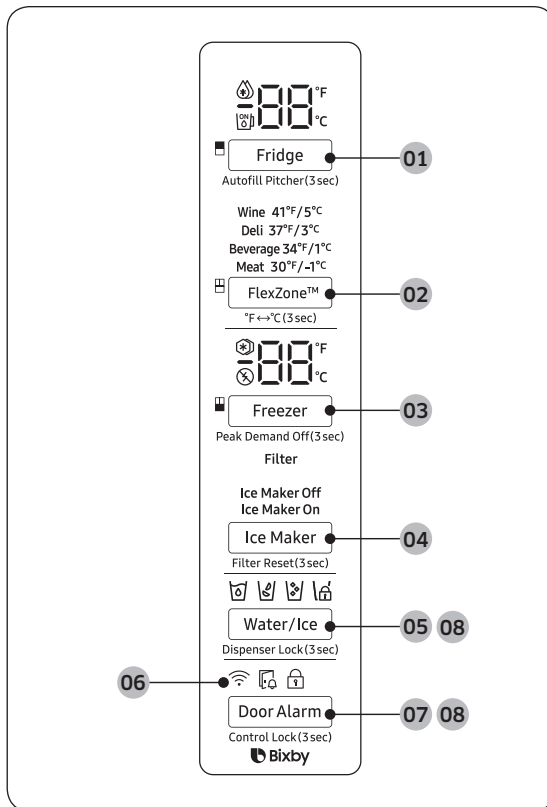
When installation is complete, confirm that:

- The refrigerator is plugged into an electrical outlet and grounded properly.
- The refrigerator is installed on a flat, level surface with a reasonable clearance from walls and cabinets.
- The refrigerator is level and is sitting firmly on the floor.
- The door opens and closes freely, and the interior light turns on automatically when you open the door.

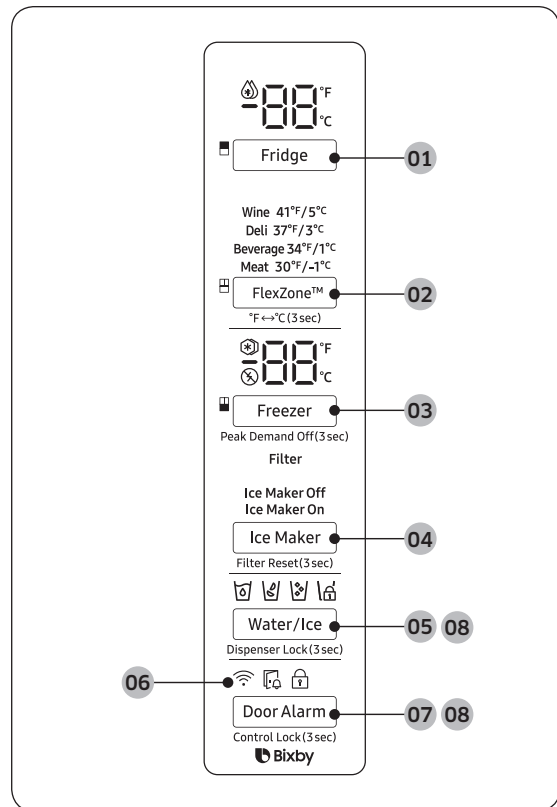
# Operations

## Main panel

Type A



Type B



**01** Fridge / Auto Fill Water Pitcher \*

**03** Freezer / Peak Demand Off

**05** Water/Ice / Dispenser Lock

**07** Door Alarm / Control Lock

\* applicable models only

**02** FlexZone™ / °F ↔ °C

**04** Ice Maker / Filter Reset

**06** Network connection

**08** Sabbath Mode

---

## NOTE


- When you change the temperature on the panel, the panel displays the actual temperature inside the refrigerator until the temperature matches the temperature you set. Then, the panel displays the new set temperature. Note that it will take time for the refrigerator to reach the new temperature. This is normal. During this time, you do not need to set the temperature again.
- To ensure optimal performance, we recommend setting the temperature to 0 °F (-18 °C) for the freezer, and 37 °F (3 °C) for the fridge.
- The temperature in the refrigerator may rise if you open the door frequently or put a large amount of food into the refrigerator. If this happens, the temperature display blinks until the refrigerator returns to the specified temperature settings.
- If a communication error occurs between the temperature display and the main controller, this blinking continues for an extended time. Contact a local Samsung service center for technical assistance.
- The display of the main panel turns on only if the door is opened and turns off if the door is closed.
- If you set Control Lock on the main panel, the main panel locks automatically 1 minute after inactivity.
- Bixby is a Samsung's intelligence platform, and you can control the product with your voice. To use the voice command feature, you must connect the product with the SmartThings app on your phone. For products that do not recognize voice directly from the product, you can use the Bixby on your smartphone to control some of the functions of your product after connecting to the app.

# Operations

## 01 Fridge / Auto Fill Water Pitcher (3 sec)

Fridge

You can use the **Fridge** button to set the fridge temperature or to activate Power Cool.

- Press **Fridge** repeatedly to select a desired temperature between 34 °F (1 °C) and 44 °F (7 °C).
  - The temperature indicator displays the currently set or selected temperature.
- To activate Power Cool, press **Fridge** repeatedly until the Power Cool indicator (  ) lights up.
  - To deactivate Power Cool, simply press **Fridge** again while the Power Cool function is on.
  - Power Cool speeds up the cooling process at maximum power to lower the fridge temperature. The Power Cool process continues to run for several hours, and then turns off and the fridge returns to the previous temperature setting.
  - Use Power Cool to rapidly cool food that spoils quickly or to rapidly cool the refrigerator after the door has been left open for some time.

### NOTE

Using Power Cool increases power consumption. Make sure you turn it off manually if you no longer need it, and then select the desired refrigerator temperature.

## Auto Fill Water Pitcher

Press and hold **Fridge** for 3 seconds to turn this function on. Open the left door of the fridge, and then insert the water tank. Close the door and the water tank starts to fill with water up to the preset level.

To turn the function off, press and hold **Fridge** again for 3 seconds.

### **NOTE**

- By default, Auto Fill Water Pitcher is disabled. Enable this function after you have installed the water line.
- If you open the door or push the dispenser lever, this function is stopped temporarily.
- The Auto Fill Water Pitcher indicators blink if there is a leak. This may occur because the water tank overflows, or the water-line or water-level sensor fails. If this is the case, follow these steps.
  - a. Open the rubber cap and drain water.
  - b. When draining is complete, the indicators stop blinking and turn solid.
  - c. Close the rubber cap.
- If the indicators continue to blink, this might be a system failure. Contact a local service center.

# Operations

## 02 FlexZone™ / °F ↔ °C (3 sec)

The FlexZone™ is a full-width drawer featuring temperature control. It has a temperature sensor that adjusts the amount of cold air allowed into the zone.

- Press **FlexZone™** repeatedly to select a desired mode. By default, **Deli** is selected.
- The refrigerator adjusts the temperature in the FlexZone™ according to the selected mode.


Mode	Description	Examples
Wine	Select Wine to keep food fresh for a long time. The temperature of the FlexZone™ will be kept around 41 °F (5 °C).	Wine, cocktails, cake, cheese
Deli	Select Deli to keep food fresh for a longer time. The temperature of the FlexZone™ will be kept around 37 °F (3 °C).	Pineapples, lemons, biscuits, potatoes
Beverage	Select Beverage to keep drinks cold and refreshing. The temperature of the FlexZone™ will be kept around 34 °F (1 °C).	Bottled water, juice, soft drinks, beer
Meat	Select Meat to keep meat or fish fresh for a longer time. The temperature of the FlexZone™ will be kept around 30 °F (-1 °C).	Steaks, cold cuts, bacon, chili dogs

### CAUTION

- Do not use the FlexZone™ to store most kinds of fruit or leafy vegetables. These food items may suffer cold-temperature damage.
- Do not store glass bottles in the FlexZone™ in Beverage or Meat mode. They may break and cause physical injury.

°F ↔ °C	You can also use the FlexZone™ button to switch the temperature scale between Celsius and Fahrenheit. To switch the temperature scale, press and hold <b>FlexZone™</b> for 3 seconds to change the current temperature scale.
---------	---



### 03 Freezer / Peak Demand Off (3 sec)

Freezer	<p>You can use the <b>Freezer</b> button to set the freezer temperature or to activate Power Freeze.</p> <ul style="list-style-type: none"><li>• Press <b>Freezer</b> repeatedly to select a desired temperature between 5 °F (-15 °C) and -8 °F (-23 °C).<ul style="list-style-type: none"><li>- The temperature indicator displays the currently set or selected temperature.</li></ul></li><li>• To activate Power Freeze, press <b>Freezer</b> repeatedly until the Power Freeze indicator (❄️) lights up.<ul style="list-style-type: none"><li>- To deactivate Power Freeze, simply press <b>Freezer</b> again while the Power Freeze function is on.</li><li>- Power Freeze speeds up the freezing process at maximum power to lower the freezer temperature. The Power Freeze process continues to run for several hours, and then turns off and the freezer returns to the previous temperature setting.</li><li>- To freeze large amounts of food, activate Power Freeze for at least 20 hours before putting the food in the freezer.</li></ul></li></ul> <p> <b>NOTE</b> Using Power Freeze increases power consumption. Make sure you turn it off manually if you no longer need it, and then select the desired freezer temperature.</p>
Peak Demand Off	<p>The Peak Demand Off function activates/deactivates Smart Grid. (See Page 53) Press <b>Freezer</b> for 3 seconds to set/clear the Peak Demand Off function.</p>




# Operations

## 04 Ice Maker / Filter Reset (3 sec)

Ice Maker	<p>Press <b>Ice Maker</b> to turn the ice maker on or off.</p> <p>The ice maker has 2 indicators (<b>Ice Maker On / Ice Maker Off</b>) to indicate its operating status.</p> <ul style="list-style-type: none"><li>• When the ice maker operates, the corresponding indicator (<b>Ice Maker On</b>) turns on.</li><li>• When the ice maker is turned off, the corresponding indicator (<b>Ice Maker Off</b>) turns on. In this case, ice making is disabled even if you press the <b>Cubed</b> or <b>Crushed Ice</b> buttons on the dispenser panel. To enable ice making, you must turn the ice maker on.</li></ul> <p> <b>NOTE</b></p> <p>If the ice maker is turned off, it will turn on if you press and hold the <b>ice lever</b> for more than 5 seconds.</p>
Filter Reset	<p>After about 6 months (and typically, about 300 gallons (1200 L) of water), the Filter indicator blinks red for several seconds when you open the door, reminding you that the filter needs to be replaced.</p> <p>When this happens, replace the filter, and then press and hold <b>Filter Reset</b> for 3 seconds. The filter lifecycle will be reset and the Filter indicator turns off.</p> <p> <b>NOTE</b></p> <ul style="list-style-type: none"><li>• Some regions have relatively large amounts of lime in their water. This can reduce the lifecycle of the filter. In these areas, you will have to replace the water filter more often than specified above.</li><li>• If water is not dispensing properly, the water filter is most likely clogged. Replace the water filter.</li></ul>



## 05 Water/Ice / Dispenser Lock (3 sec)

Water/Ice	You can dispense chilled water, cubed ice, or crushed ice. To dispense, press <b>Water/Ice</b> . The corresponding indicator turns on.
Dispenser Lock (Dispenser panel / Dispenser lever)	<p>To prevent use of the dispenser panel buttons and the dispenser lever, press and hold <b>Water/Ice</b> for more than 3 seconds. If you press and hold the button again for more than 3 seconds, the dispenser lock will be deactivated.</p> <p> <b>NOTE</b></p> <ul style="list-style-type: none"> <li>• The <b>Dispenser Lock</b> on the dispenser panel does not affect the controls on the main panel. To lock the main panel, use the Control Lock function on the main panel.</li> <li>• If you press <b>Water/Ice</b> for 3 seconds when both control lock and dispenser lock are active, you will deactivate both control lock and dispenser lock.</li> </ul>

## 06 Network connection

You can control and monitor your refrigerator on the SmartThings app. For more information, see the **SmartThings** section.



## 07 Door Alarm / Control Lock (3 sec)

Door Alarm	<p>If the door is left open for more than 2 minutes, an alarm will sound and the alarm indicator will blink. You can toggle the alarm on and off by pressing <b>Door Alarm</b>. The alarm is enabled by factory default.</p> <p>If the door is left open for 5 minutes, internal lights (in the fridge, FlexZone™, and freezer) will blink for 10 seconds and then turn on. The whole process will be repeated every minute for 5 minutes. This is to alert hearing-impaired users that a door is open. Note that this function is normal.</p>
------------	--



# Operations

---

<b>Control Lock</b>	<p>To prevent accidental setting changes, press and hold <b>Door Alarm</b> for 3 seconds. The main panel will be disabled and the Lock indicator (  ) will turn on.</p> <p>When Control Lock is on, the indicator blinks if any button on the main panel is pressed.</p> <p>If you press and hold the button again for more than 3 seconds, Control Lock will be deactivated.</p> <p>However, Control Lock will be reactivated if no button is pressed within 1 minute.</p> <p> <b>NOTE</b></p> <p>Control Lock on the main panel does not affect the dispenser. The dispenser operates independently and so does the dispenser lever. To lock the dispenser and the dispenser lever, use the Dispenser Lock function.</p>
---------------------	--



---

## 08 Sabbath Mode

The Sabbath mode stays active for 85 hours once it is activated. After that, it will be deactivated automatically.

- To activate Sabbath Mode, press and hold **Door Alarm** and **Water/Ice** simultaneously for 5 seconds. When the refrigerator is in Sabbath mode, the buttons, the display, and the internal lights do not function. The refrigerator and freezer, however, continue to cool.
- To deactivate Sabbath Mode, press and hold **Door Alarm** and **Water/Ice** simultaneously again for 5 seconds.

### NOTE

- If the refrigerator powers off and restarts (for example, if there is a power failure), the Sabbath mode remains active. To end Sabbath Mode, you must deactivate it as described above.
- Controls must be unlocked before activating Sabbath mode.

## 09 Cooling Off

Cooling Off mode (also called Shop mode) is designed for use by retailers when they are displaying refrigerators on a retail floor.

In Cooling Off mode, the refrigerator's fan motor and lights operate normally, but the compressors do not run so neither the refrigerator nor the freezer become cold.

To enter or exit the Cooling Off mode, press and hold **Fridge** and **FlexZone™** simultaneously for 6 seconds. Then, when the display blinks, press **Door Alarm**.

When the Cooling Off mode is on, the refrigerator chime sounds, and the refrigerator shows "O" on the fridge temperature display and "FF" on the freezer temperature display.



# Operations

---

## SmartThings

---

### Installation

Visit the Google Play Store, Galaxy Apps, or Apple App Store and search for “SmartThings”. Download and install the SmartThings app provided by Samsung Electronics to your smart device.

#### NOTE

- The SmartThings app is designed for Android 6.0 (Marshmallow) or later, iOS 10.0 or later, iPhone 6 or later, and is optimized for Samsung smartphones (Galaxy S and Galaxy Note series).
- For improved performance, the SmartThings app is subject to change without notice or discontinued support according to the manufacturer’s policy.
- Recommended encryption systems include WPA/TKIP and WPA2/AES. Any newer or non-standard Wi-Fi authentication protocols are not supported.
- Wireless networks may be affected by the surrounding wireless communication environment.
- If your Internet service provider has registered the MAC address of your PC or modem for identification, your Samsung Smart Refrigerator may fail to connect to the Internet. If this happens, contact your Internet service provider for technical assistance.
- The firewall settings of your network system may prevent your Samsung Smart Refrigerator from accessing the Internet. Contact your Internet service provider for technical assistance. If this symptom continues, contact a local Samsung service center or retailer.
- To configure the wireless access point (AP) settings, see the user manual of the AP (router).
- Samsung Smart Refrigerators support both Wi-Fi 2.4 GHz with IEEE 802.11 b/g/n and Soft-AP protocols. (IEEE 802.11 n is recommended.)
- Unauthorized Wi-Fi wireless routers may fail to connect to applicable Samsung Smart Refrigerators.

---

## Samsung account

You are required to register your Samsung account to use the app. If you don't have a Samsung account, follow the app's onscreen instructions to create a free Samsung account.

## Getting started

Turn on the device you want to connect, open the SmartThings app on your phone, and then follow the instructions below.

If a pop-up appears saying that a new device has been found, tap **ADD NOW**.

If a pop-up doesn't appear, tap the **+** button, and then select the device you want to connect from the list of available devices.

If your device isn't in the list of available devices, tap **Supported Devices**, select the device type (Refrigerator), and then select the specific device model.

Follow the instructions in the app to set up your device. Once setup is complete, your refrigerator will appear as a "card" on your **Devices** screen.

## Refrigerator app

### Integrated control

You can monitor and control your refrigerator at home and on the go.

- Tap the refrigerator icon on the SmartThings Dashboard or tap the Devices icon at the bottom of the Dashboard, and then tap the refrigerator "card" to open the Refrigerator page.
- Check the operation status or notifications related to your refrigerator, and then change options or settings if necessary.

### **NOTE**

Some options or settings of the refrigerator may not be available for remote control.

# Operations

Category	Item	Description
Monitoring	Fridge temperature	Displays the desired temperature setting of the fridge.
	Freezer temperature	Displays the current temperature of the freezer.
	FlexZone™ settings	Displays the settings of the FlexZone™.
	Diagnosis	Detects abnormal operations of the refrigerator.
	Energy monitoring	Checks the accumulated power consumption of the refrigerator for the last 180 days.
Functions	Ice making	You can turn the ice making function on or off, and check the current settings of the function.
		You can also check the status and progress of ice making.
	Power Cool	You can turn Power Cool on or off, and check the current settings.
	Power Freeze	You can turn Power Freeze on or off, and check the current settings.
	Fridge temperature	You can set the desired temperature of the fridge.
	Freezer temperature	You can set the desired temperature of the freezer.
	FlexZone™ settings	You can set the desired FlexZone™ mode.
	Sabbath Mode	You can activate and deactivate the Sabbath mode.
Alarms	Abnormally high temperature	This alarm is triggered when the fridge, the freezer, or the FlexZone™ has abnormally high temperatures.
	Door opening	This alarm is triggered if the fridge door, the freezer drawer, or the FlexZone™ drawer is open for a specific time.
	Auto Water Fill overflowing	If the Auto Water Fill function senses an overflow, it triggers this alarm to let you know the status of the overflow.
	Water filter replacement	This alarm reminds you that the water filter must be replaced.



## SMART GRID Function (Demand Response)

When the refrigerator operates in SMART GRID (Demand Response) mode, the Energy Management Refrigerator function can control energy usage or delay the operation of some functions to save money when energy prices or demand are the highest.

### NOTE

- You can deactivate the SMART GRID (Demand Response) function at any time using the Peak Demand Off function.
- To use the SMART GRID (Demand Response) function, you need a separate contract with your electric utility company.

In addition, to use the Smart Grid (Demand Response) function, you must register for the service with your electric company. The company must have an EMS (Energy Management System) that supports SEP (Smart Energy profile).

### Using the SMART GRID (Demand Response) Function

This feature monitors energy prices and demand information from your utility company and sends notifications to the refrigerator to run high energy consuming tasks during off-peak times when electricity costs and demand are lower.

If the refrigerator receives a control signal from the utility company, the refrigerator will display the **DAL** (L3) ~ **TALR** (L4) levels on the refrigerator display and control the power consumption according to the level.

[Exception condition] The **DAL** and **TALR** control signals from a utility company work as long as product performance is maintained.

If the refrigerator receives the SMART GRID (Demand Response) signal (**DAL** or **TALR**), the refrigerator will operate in Delay Appliance Load (Display:L3) or Temporary Appliance Load Reduction (Display:L4) mode.

- Delay Appliance Load (L3): The refrigerator responds to a **DAL** signal by providing a moderate load reduction for the duration of the delay period. This function controls functions that consume a lot of energy such as adjusting the Cooling system, running the defrost cycle, and making ice.
  - When the refrigerator operates in **DAL** (L3) mode, "L3" is displayed on the refrigerator display.
  - **DAL** mode is automatically deactivated after it lasts for the amount of time stipulated by the **DAL** signal (max. 4.5 hours) or when the Peak Demand Off key is pressed.





# Operations

- Temporary Appliance Load Reduction (L4): The refrigerator responds to a **TALR** signal by aggressively reducing the load for a short time period. This function reduces energy consumption by stopping the compressor and controlling the functions that consume a lot of energy such as the defrost cycle and making ice.
  - When the refrigerator operates in **TALR** (L4) mode, "L4" is displayed on the refrigerator display.
  - **TALR** (L4) mode is automatically deactivated after it lasts for the received duration (max. 15 minutes), or when the Peak Demand Off key is pressed. The mode is immediately deactivated and the refrigerator returns to the normal state when the door is opened or closed, or the dispenser is used.

## To check the MAC address



1. In this mode, the MAC address appears on the temperature panel (on both the freezer and the fridge sections of the panel) sequentially for 1 minute. Press and hold both **Freezer** and **Fridge** for 6 seconds. The temperature panel blinks. Then, press **Freezer** again to display the MAC address. The fridge beeps.
2. For example, if the MAC address is "11-22-33-44-55-66", the temperature panel displays the address for 1 minute in this sequence: "-- / --" → "11 / 22" → "33 / 44" → "55 / 66" → "-- / --". After the 1 minute, the MAC address disappears and the temperature panel returns to the normal state.

### NOTE

The temperature panel displays "-- / --" for an unknown MAC address or if a Wi-Fi connection is not established or is lost.

## Peak Demand Off (Override mode)

When you want the refrigerator to ignore the SMART GRID (Demand Response) signal from the utility company, you can activate Peak Demand Off (Override mode).

When you activate Peak Demand Off (Override mode), the refrigerator ignores the SMART GRID (Demand Response) signal and is not controlled by the utility company.

---

## Activating and deactivating Peak Demand Off (Override mode)

1. Press and hold **Freezer** for 3 seconds.
2. A buzzer sounds and 'Or' and 'on' is displayed in the freezer and fridge temperature displays for 5 seconds. Then the Peak Demand Off (Override mode) icon (⊗) turns on.
3. If the refrigerator receives a SMART GRID (Demand Response) signal from the utility company, 'Or' is displayed in the freezer temperature display.
4. To deactivate Peak Demand Off (Override mode), press and hold **Freezer** for 3 seconds.
5. A buzzer sounds and 'Or' and 'oF' is displayed in the freezer and fridge temperature displays for 5 seconds. Then the Peak Demand Off (Override mode) icon (⊗) turns off.

### NOTE

- Alternatively, you can activate or deactivate Peak Demand Off (Override mode) using the SmartThings app and the Energy Management function. See the next page.

# Operations

---

## Using the Energy Management Function

The Energy Management function enables you to control and monitor your Energy Management refrigerator using the SmartThings app for your convenience.

### NOTE

- To use the Energy Management refrigerator functions, you have to install the corresponding app first.
  1. Operational Status
    - You can check the DR and Peak Demand Off (Override mode) status.
  2. Energy Consumption Reporting
    - Shows the accumulated power consumption. Power consumption data is updated every 10 minutes.

### NOTE

The energy consumption report may differ from the power consumption specifications of the product depending on the operating environment and the stored food.

### 3. Delay Defrost Capability

- The Delay Defrost Capability function saves energy by delaying the defrost operation to a time specified by the user. You can configure the time, and this function will save energy during the specified period in a 24 hour cycle. If the time is not set, the function works with the default time settings. The default time settings are below:
  - 6 am to 10 am: 1st. November ~ 30th. April
  - 3 pm to 7 pm: 1st. May ~ 31th. October

### To change the time setting for the Delay Defrost Capability

You can change the time setting for the Delay Defrost Capability on the app.

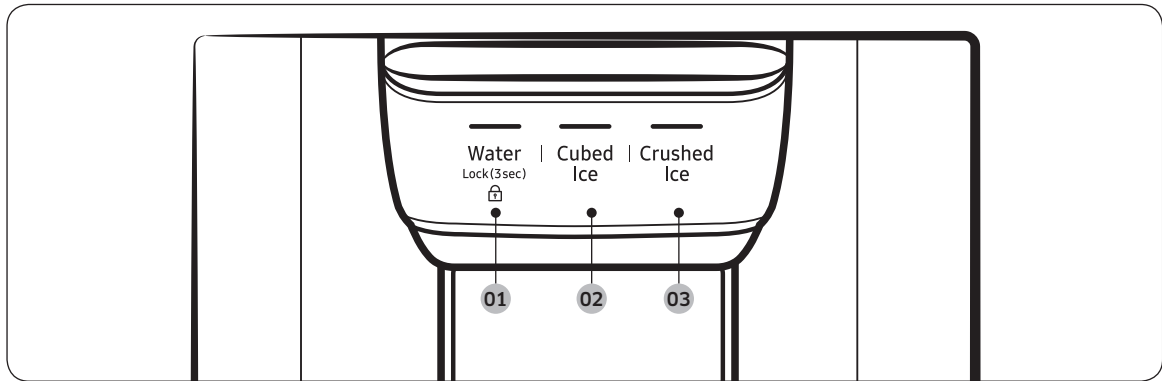
---

## Provision for Open Access to the Connected Product Requirements

1. SGIP Open Standards (Smart Energy Profile 2.0 - <http://www.csep.org/>)
  - Energy Consumption Reporting
  - Demand Response
2. Samsung OPEN API
  - Operational Status, User Settings & Messages
  - ICE Maker Status: GET /icemaker/status/vs/0
  - Door Open Alarm: GET /doors/vs/0
  - DR Status: GET /drlc/vs/0
  - Delay Defrost Capability
  - Set Schedule of the Defrost Delay: POST /defrost/reservation/vs/0?op=add
  - Get Schedule of the Defrost Delay : GET /defrost/reservation/vs/0
  - Delete Schedule of the Defrost Delay: POST /defrost/reservation/vs/0?op=remove
  - Defrost Delay On/OFF: POST /defrost/delay/vs/0

# Operations

## Dispenser panel



**01** Water / Lock

**02** Cubed Ice

**03** Crushed Ice

**01** Water / Lock (3 sec)

Water	To dispense chilled water, press <b>Water</b> . The corresponding indicator turns on.
Lock (Dispenser panel / Dispenser lever)	<p>To prevent the use of the dispenser panel buttons and the dispenser lever, press and hold <b>Water</b> for more than 3 seconds. If you press and hold the button again for more than 3 seconds, the dispenser lock will be deactivated.</p> <p>When dispenser lock is on, the indicator blinks if any button on the dispenser panel is pressed or the dispenser lever is pressed.</p> <p><b>NOTE</b> The <b>Lock</b> on the dispenser panel does not affect the controls on the main panel. To lock the main panel, use the Control Lock function on the main panel.</p>

**02** Cubed Ice

Cubed Ice	Press <b>Cubed Ice</b> to dispense cubed ice. The corresponding indicator turns on.
-----------	---

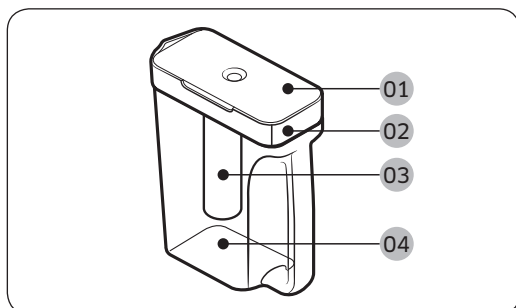
**03** Crushed Ice

Crushed Ice	Press <b>Crushed Ice</b> to dispense crushed ice. The corresponding indicator turns on.
-------------	---

## Special features

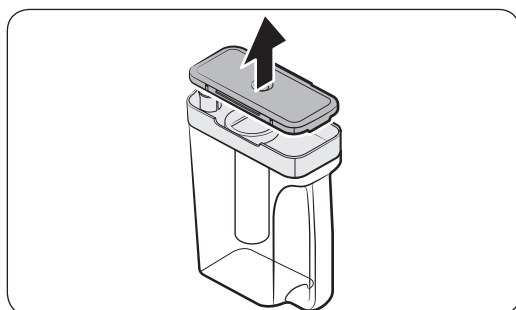
### Water tank (Auto Water Fill) (applicable models only)

The Auto Water Fill function lets you enjoy cold brewed tea in your refrigerator.



- 01 Lid
- 02 Sealed mouth
- 03 Infuser
- 04 Body

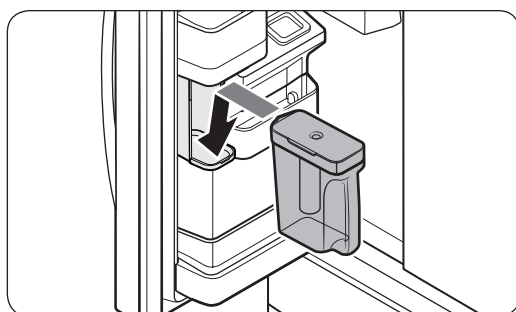
#### To fill the water tank



1. Grasp a handle groove of the **sealed mouth**, and then pull up to open the lid.
2. Put tea leaves or fruit to your taste into the infuser.

#### **NOTE**

If you want to keep the infused water in its initial concentration, turn the Auto Water Fill function off.

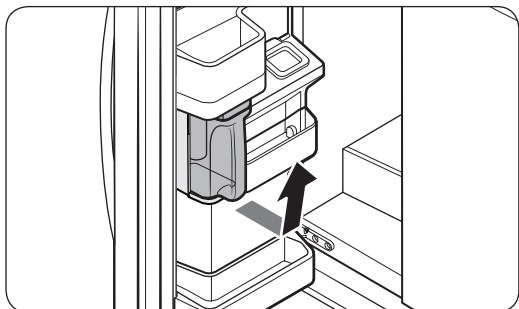


3. Enable the Auto Water Fill function on the main panel. Open the left door of the fridge door, and then mount the water tank onto the holder. Push it straight in as shown in the illustration on the left.
4. Close the door. The infuser will start to fill with chilled water a short time later.

#### **CAUTION**

Make sure the infuser fits in the water tank holder.

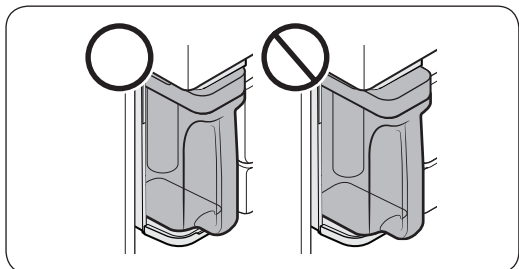
# Operations



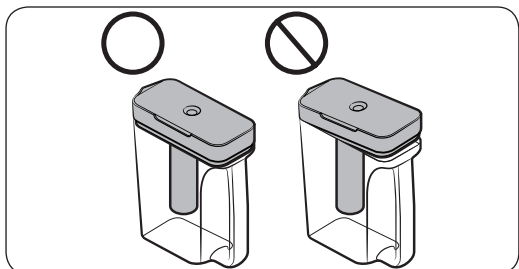
5. To drink tea, open the door and detach the water tank. Pull it straight out.

## ⚠ CAUTION

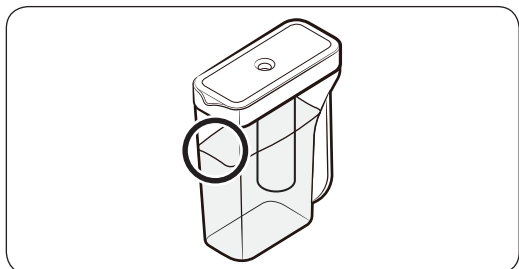
- We recommend consuming fruit infused water within 24 hours. After that, the infused water can spoil over time.
- You must clean the water tank after you have consumed the infused water. Also clean the water tank if you haven't used it for a long time.



- To prevent the water tank from tipping over or leaking, make sure the water tank fits in the water tank holder.

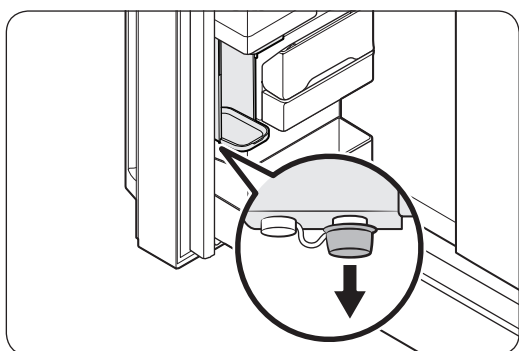


- To prevent the water tank from spilling over or leaking, make sure the **sealed mouth** is properly inserted.



**NOTE**

- If the front side (specifically marked area) of the water tank has too much moisture, the water tank may not fully fill. Remove the moisture, and then try again.
- Auto Water Fill will stop supplying water to the water tank if the water tank does not fill after a certain amount of time. If this happens, check if the water line is properly connected. Remove and reinsert the water tank, and then try again.



**NOTE**

- Wipe around the infuser holder if the infuser overflows or leaks.
- Water drops off if the rubber cap is opened.
- The Auto Water Fill indicator blinks if there is a leak. In case of a leak, open the rubber cap so that the leaked water drains. The indicator will then turn off. However, if the indicator continues to blink, there might be a system failure. Contact your local Samsung service center.
- The Auto Water Fill indicators blink if there is a leak. See page 42 for more information.



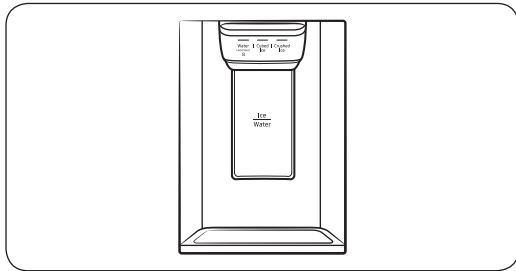
# Operations

## Water/Ice dispenser

Using the dispenser, you can dispense water with or without ice.

The water dispenser offers 3 options: chilled water, cubed ice, and crushed ice. To dispense chilled water, press **Water** on the dispenser panel. Put a water glass under the dispenser, and then push the dispenser lever.

To dispense water with ice



1. With the Ice Maker enabled, press **Cubed Ice** or **Crushed Ice** to select the ice type.
2. Put a water glass under the dispenser, and then push the **dispenser lever** with the glass. Ice will be dispensed from the dispenser.
3. Press **Water** to select water.
4. Push the **dispenser lever** with the glass. Water will be dispensed from the dispenser.

### NOTE

- The dispenser will stop dispensing if you keep pushing the dispenser lever for about 1 minute. To dispense more water, release and push the lever again.
- Make sure the glass is in line with the dispenser to prevent the dispensed water from spilling out.
- If you do not use the water dispenser for 2-3 days, the dispensed water may have an abnormal smell or taste. This is not a system failure. Discard the first 1-2 glasses of water.

## Ice maker

The refrigerator has a built-in ice maker that automatically dispenses ice so that you can enjoy filtered water with cubed or crushed ice.

### Ice making

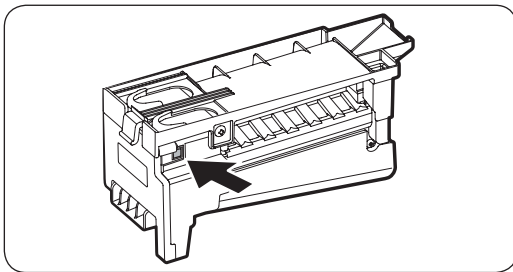
After you have installed your refrigerator and plugged it in, follow these instructions to ensure proper ice making and to keep the ice bucket full of ice:

1. Let the refrigerator operate for at least 24 hours to ensure optimal performance.
2. Dispense the first 4 to 6 ice cubes into a glass.
3. Wait another 8 hours and dispense another 4 to 6 ice cubes.
4. Then, wait another 16 hours and dispense the first glass-full of ice.

## NOTE

- If you consume all the ice at once, you must wait 8 hours before dispensing the first 4 to 6 cubes. This ensures that the ice bucket is filled with ice properly.
- Ice cubes generated rapidly may look white, which is normal.

## Diagnosis



If ice does not dispense, first check the ice maker.

1. Press **Test** on the side of the ice maker. You will hear a chime (ding-dong) when you press the button.
2. You will hear another chime if the ice maker is operating properly.

## CAUTION

- If the ice making chime rings repeatedly, contact your waterline installer or a local Samsung service center.
- Do not press **Test** repeatedly after the ice tray is filled with ice or water. Water may overflow or ice may jam.
- Do not put food in the ice bucket. The frozen food may damage the ice maker, especially when you open or close the door.
- When the refrigerator recovers power after a power failure, the ice bucket may contain a mix of melted and jammed ice cubes, which can prevent the ice maker from working properly. To prevent this, make sure to empty the ice bucket so the ice bucket can refill with fresh, loose ice cubes.
- Do not put fingers or any objects into the dispenser outlet or the ice maker. This can cause physical injury or property damage.
- When reinserting the ice maker tray, make sure that the tray is properly centered at the entrance. Otherwise, the tray can get stuck.

### If You Turn the Ice Maker Off

If you press and hold **Ice Maker** for more than 3 seconds to turn the ice maker off, make sure to remove all ice cubes from the ice bucket. Remaining ice cubes may clump together, making it difficult to remove them.

To remove the ice bucket, see the **Ice bucket (applicable models only)** section on page 65.

## NOTE

- Removal of the ice bucket does not affect the thermal and mechanical performance of the refrigerator.

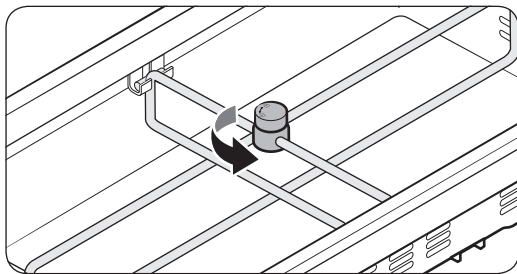
# Operations

---

## Water clouding

Water supplied to the refrigerator flows through a core alkaline filter. During this filtering process, the water pressure of the water increases and the water becomes saturated with oxygen and nitrogen. This causes the water to look misty or cloudy temporarily when dispensed. This is normal and the water will look clear after a few seconds.

## FlexZone™ divider



You can change the divider position. To do this, unlock the divider by turning the divider dial counter clockwise. Then, move the width and height bars as appropriate. When done, turn the dial clockwise to lock the divider.

### **NOTE**

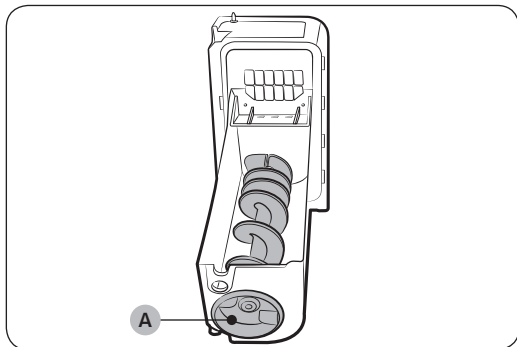
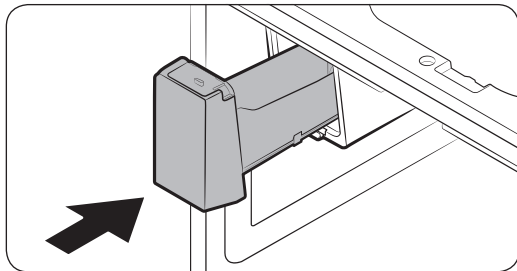
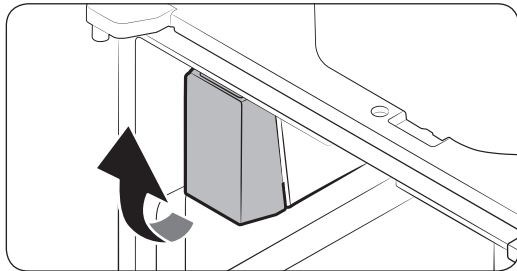
If the divider lock does not function, wipe the bars to remove moisture on them.

# Maintenance

## Handling and care

### Ice bucket (applicable models only)

If you do not dispense ice for an extended period, ice may form clumps inside the bucket. If this happens, remove and empty the ice bucket.



1. To remove the ice bucket, gently lift it up, and then pull it out slowly while holding the bottom of the bucket with one hand and the side with the other hand.
2. Empty the bucket.
3. When done, put the bucket back into position. If the bucket does not fit in, turn the helix screw 90 degrees, and then try again.

If the ice bucket is not firmly inserted, turn the **Helix (A)** 90 degrees, and then try again.

### ⚠ CAUTION

- Do not apply excessive force to the bucket cover. The cover may break.
- Do not forcefully close the door. Water may spill over the ice maker.
- To prevent injury, make sure to clean up any ice or water that has fallen on the floor.
- To prevent accidents or injury, do not let children play with the water dispenser or the ice maker.

# Maintenance

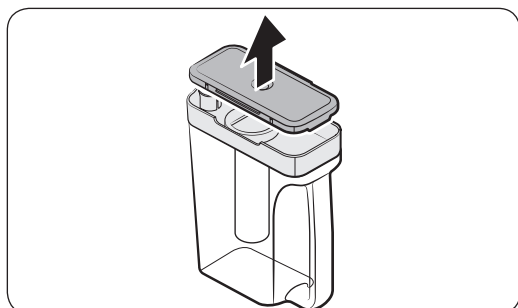
---

- Do not put your hand or an object into the ice chute. This may cause physical injury or product damage.
- Use only the provided ice bucket. Third-party ice buckets may cause a system failure.

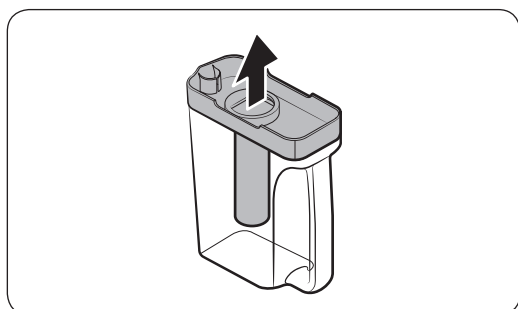
## **NOTE**

- The water pressure required for ice making is between 20 psi and 125 psi (138 and 862 kPa).
- Noise from the the ice maker as it produces ice during the ice making process is normal.
- While the door is open, neither the ice maker nor the water dispenser operates.

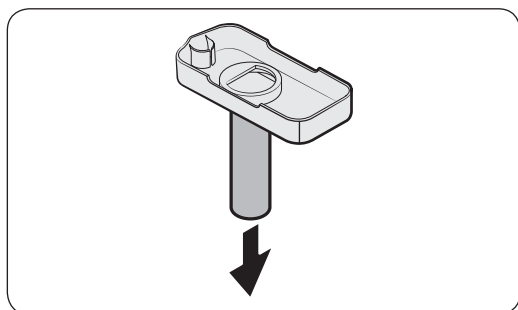
## Auto Water Fill (applicable models only)



1. Grasp a handle groove of the **sealed mouth**, and then pull up to remove.



2. Grasp both sides of the **sealed mouth**, and then lift to remove.



3. While slightly twisting the **infuser**, pull it out of the sealed mouth.
4. Clean the **infuser** with neutral agents and running water. Rinse and dry well.
5. Reassemble the Auto Water Fill in the reverse order of disassembly.

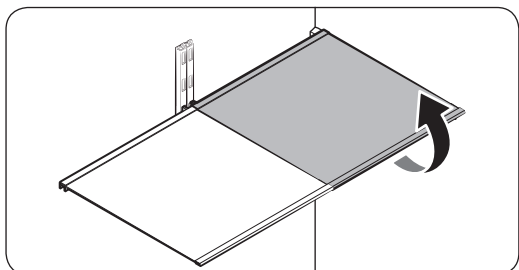
### **CAUTION**

Water pitcher and lid are not dishwasher safe and can deform under high temperatures. Please hand wash as needed.

# Maintenance

## Fridge shelves

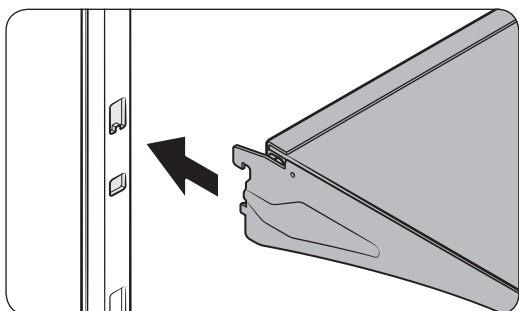
The appearance of the shelves differs by model.



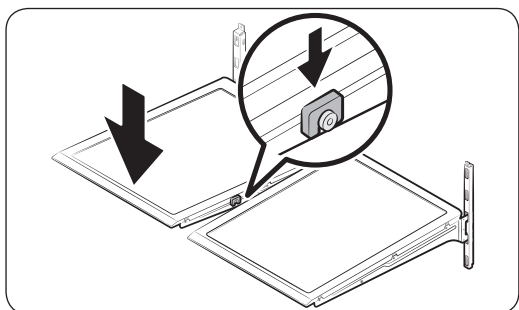
- To remove a shelf, fully open the corresponding door. Hold the front of the shelf, and then gently lift up and slide out.

### NOTE

Do not lift up the shelf fully when removing or reinserting the shelf. The rear wall of the fridge room can be dented.



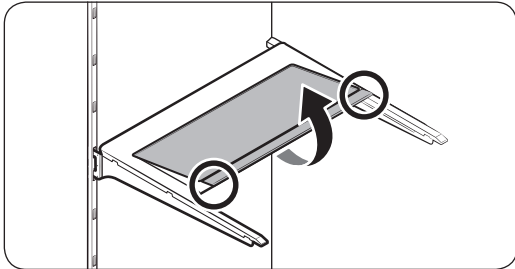
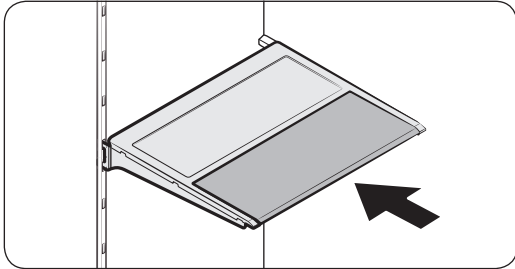
- To reinsert, hold the shelf at an angle so the front is higher than the back, and then insert the top hook into the top shelf notch. Then, lower the shelf and insert the bottom shelf hook into the bottom shelf notch.



### CAUTION

- The tempered glass shelves are heavy. Use caution when removing them.
- The shelf must be inserted correctly. Do not insert upside down.
- Glass containers may scratch the surface of glass shelves.

## Foldable shelf

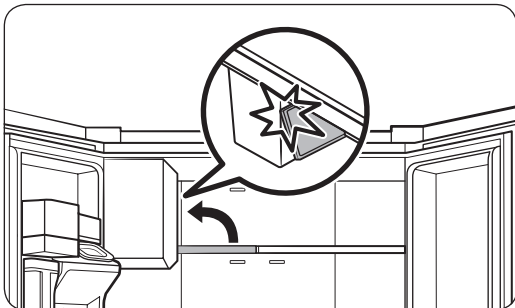


To remove, slide up the front of the shelf so that it folds. Then gently lift up and pull out. To reinsert, place the shelf on the angled frame in the main unit, and then, press down to unfold.

### **⚠ CAUTION**

After sliding the foldable shelf in and folding it, the front of the shelf can be removed for your convenience. If you use the shelf without removing the front of the shelf, be aware that it can separate from the rear portion. Take care when handling food items near the shelf.

## Recommended foldable shelf location



The foldable shelf folds up from the center, giving you more room for storage.

- Insert the shelf in the right side of the fridge. Left side insertion does not allow the shelf to fold completely.
- To fold, push the front area of the shelf inward so that it folds up from the middle.

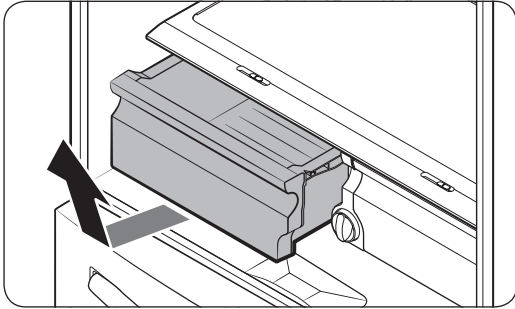
### **⚠ CAUTION**

Do not lift up quickly or twist the foldable shelf to take out food under it. It may fall off.

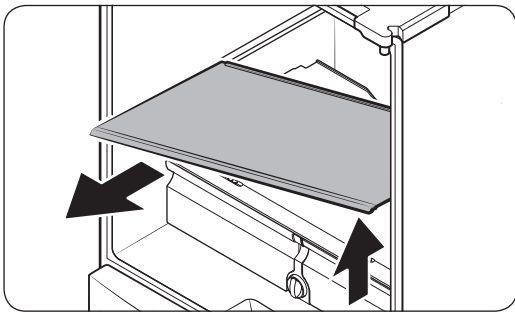


# Maintenance

## Vegetable shelf



1. Slide out the left-side vegetable drawer.



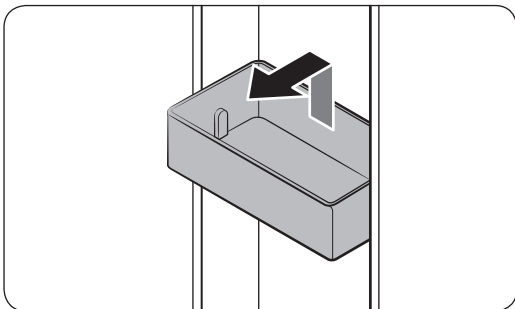
2. While supporting the vegetable shelf with one hand, slide it out with the other hand.

### NOTE

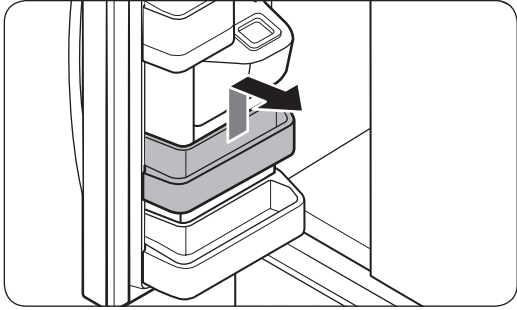
To use the space that is opened up after removing the foldable shelf, take out the vegetable shelf.

To reinsert, follow the steps above in the reverse order.

## Door bins



- To remove the top **door bin**, hold the front sides of the bin, and then gently lift up to remove.
- To reinsert, insert the **door bin** slightly above its final location making sure that the back of the bin is against the door. Hold the rear of the **door bin** with both hands, and then press down so that it fits snugly.



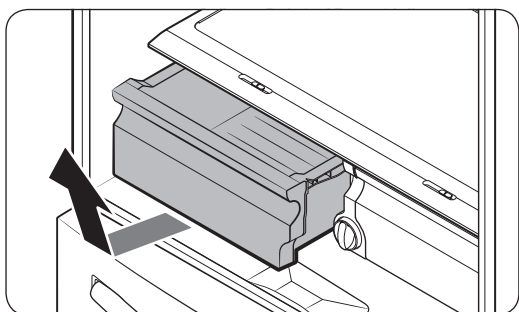
**⚠ CAUTION**

- Do not remove a bin that is filled with food. Empty the bin beforehand.
- Use caution when opening the door if the bottom bin contains larger bottles, which may fall over.
- Do not allow children to play with the bins. Sharp corners of the bin may cause injury.

# Maintenance

## Fridge drawers

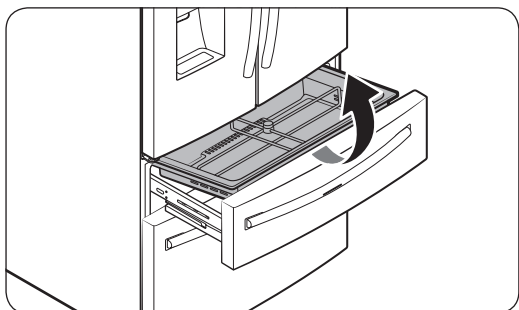
### Vegetable / fruit drawers



Gently lift up the front of the drawer and slide out.

- We recommend that you remove the door bins before removing the drawer. This is to prevent damage to the door bins.
- To reinsert, insert the drawer into the frame rails and then slide inward.

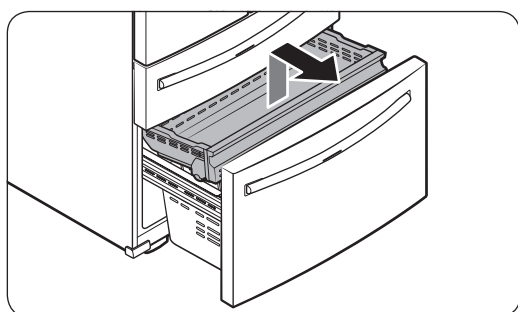
## FlexZone™ basket



- To remove, fully open the FlexZone™ drawer. Lift up the FlexZone™ basket, and then pull out with both hands.
- To reinsert, fully open the FlexZone™ drawer. While tilting up the front of the basket, insert the rear of the basket into the rail assembly. Lower the front until the basket is in place.
- If the divider lock does not function, wipe the bars to remove moisture on them.

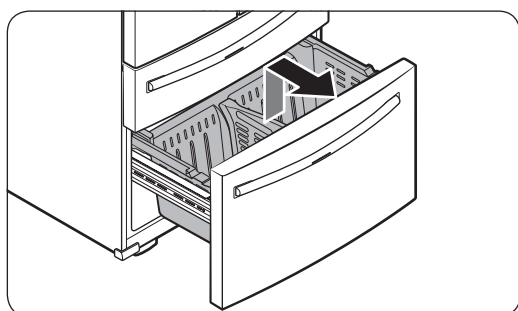
## Freezer baskets

### Upper basket



- To remove, fully slide open the freezer drawer. Push the **upper basket** to the end, and then pull up to remove.
- To reinsert, align the front wheels of the **upper basket** with the end of the **lower basket**. Slide the **upper basket** to the front.

### Lower basket



- To remove, first remove the **upper basket**. Then, tilt up the front of the **lower basket** to pull out.
- To reinsert, put the basket onto the rail assembly rear side first.

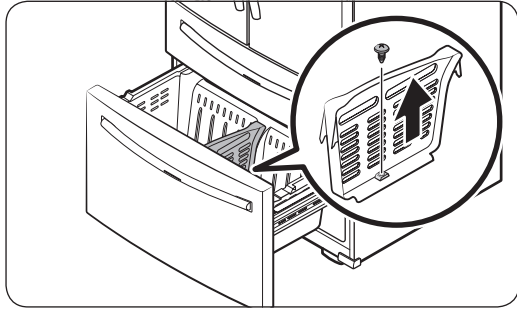
### CAUTION

- Do not twist the basket when removing or reinserting the basket. The basket can be scratched.
- To prevent physical injury, property damage, or suffocation, keep children away from freezer baskets that have been removed.
- Do not remove the divider.
- Put the wheels of the upper basket on the end of the rails of the lower basket. Then, slide the upper basket all the way to the front. Otherwise, the drawer will not open or close properly, which will cause frost to build up.

# Maintenance

---

## Freezer basket divider



Loosen and remove the screw from the lower side of the divider. Then, pull straight up to remove the divider.

---

## Cleaning

---

### Interior and exterior

#### **WARNING**

- Do not use benzene, thinner, home/car detergent, or Clorox™ to clean the refrigerator. They may damage the surface of the refrigerator and cause a fire.
- Do not spray water onto the refrigerator. This may cause electric shock.

Regularly use a dry cloth to remove all foreign substances such as dust or water from the power plug terminals and contact points.

1. Unplug the power cord.
2. Use a moistened, soft, lint-free cloth or paper towel to clean the refrigerator's interior and exterior.
3. When done, use a dry cloth or paper towel to dry well.
4. Plug in the power cord.

### Ice / Water dispenser

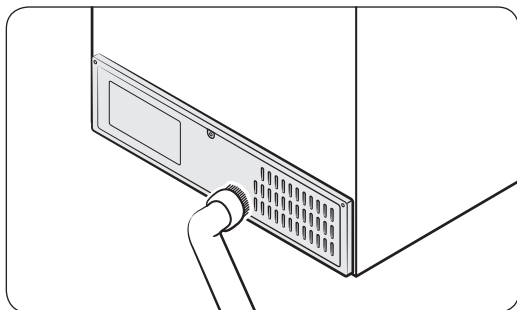
#### **CAUTION**

When crushed ice is selected, some residual ice chips may collect in the ice chute. To prevent this, remove the residual ice from the chute using a soft, clean cloth.

### Rubber seals

If the rubber seals of a door become dirty, the door may not close properly and reducing refrigerator performance and efficiency. Use a mild detergent and damp cloth to clean the rubber seals. Then, dry well with a cloth.

### Rear panel



To keep cords and exposed parts of the rear panel free of dirt, vacuum the panel once or twice a year.

#### **CAUTION**

Do not remove the rear **panel cover**. Electric shock may occur.

# Maintenance

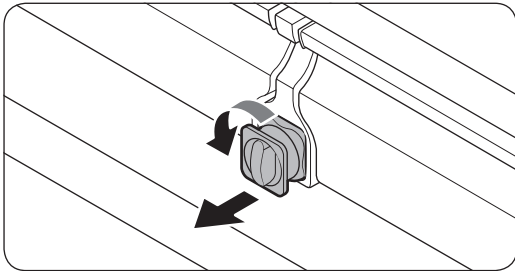
## Replacement

### Water filter

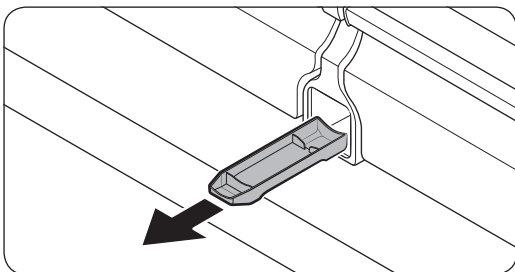
#### ⚠ WARNING

- Do not use third-party water filters. Use only Samsung-provided or -approved filters.
- Unapproved filters may leak and damage the refrigerator, causing electric shock. Samsung is not responsible for any damage that may occur from use of third-party water filters.

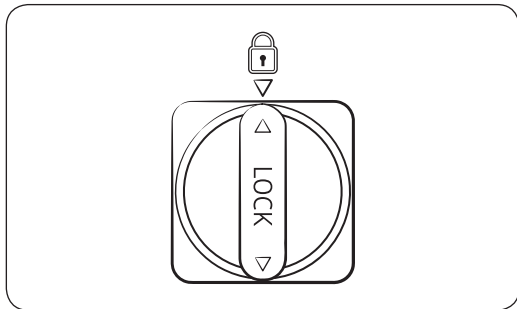
The Filter Reset indicator (**Filter**) turns red to let you know it is time to replace the water filter. Before replacing the filter, make sure the water supply line is shut off.



1. Shut off the water supply line.
2. Turn the knob of the filter cartridge counter clockwise 90 degrees (1/4 turn). The filter cartridge unlocks.



3. Pull out to remove the cartridge.
  - If the water filter is severely contaminated, the cartridge may not be easy to remove. If that is the case, use force to remove the cartridge.
  - To prevent water leaks from the filter opening, pull the cartridge straight out while removing it.
4. Insert a new filter cartridge. Use only Samsung-provided or approved filters.



5. Turn the cartridge knob clockwise to lock into place.
6. Press and hold **Filter Reset** on the main panel for 3 seconds to reset the life cycle detector. The Filter Reset indicator (**Filter**) turns off.
7. When you are done replacing the filter, open the water valve and run water through the dispenser for about 7 minutes. This is to remove impurities and air from the water line.

#### **NOTE**

- A newly installed filter may cause the water dispenser to spurt water briefly. This is because air has entered the waterline.
- The replacement process may cause the water dispenser to drip for a short period of time. If it drips, simply wipe up any water on the floor with a dry towel.

#### **Reverse osmosis water filtration system**

The water pressure of the water supply system to a reverse osmosis water filtration system must be between 35 psi and 120 psi (241 kPa and 827 kPa).

The water pressure of the reverse osmosis water filtration system to the refrigerator's cold water line must be at least 40 psi (276 kPa). If the water pressure is below these specifications:

- Check if the sediment filter in the reverse osmosis system is blocked. Replace the filter if necessary.
- Refill the water tank in the reverse osmosis system with water.
- If your refrigerator has a water filter, it may further reduce the water pressure when used in conjunction with a reverse osmosis system. Remove the water filter.

For more information or servicing, contact a licensed plumbing professional.

#### **Ordering a new filter**

To purchase a new water filter, contact a local Samsung service center or visit [www.samsungparts.com](http://www.samsungparts.com) on the web.

#### **LED Lamps**

To replace the lamps of the refrigerator, contact a local Samsung service center.

#### **WARNING**

- The lamps are not user-serviceable. Do not attempt to replace a lamp yourself. This can cause electric shock.



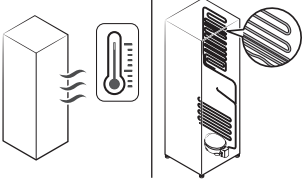
# Troubleshooting

Before calling for service, review the symptoms and recommended solutions below. If none of the suggested solutions resolve your problem, please visit our website at [www.samsung.com](http://www.samsung.com) or call Samsung Customer Care at 1-800-SAMSUNG (726-7864). Note that you will be charged for any service visits in which no defects were found.

## General

### Temperature

Symptom	Possible causes	Solution
Fridge/freezer does not operate. Fridge/freezer temperature is warm.	<ul style="list-style-type: none"><li>Power cord is not plugged in properly.</li></ul>	<ul style="list-style-type: none"><li>Properly plug in the power cord.</li></ul>
	<ul style="list-style-type: none"><li>Temperature control is not set correctly.</li></ul>	<ul style="list-style-type: none"><li>Set the temperature lower.</li></ul>
	<ul style="list-style-type: none"><li>Refrigerator is located near a heat source or direct sunlight.</li></ul>	<ul style="list-style-type: none"><li>Keep the refrigerator away from direct sunlight or a heat source.</li></ul>
	<ul style="list-style-type: none"><li>Not enough clearance between refrigerator and nearby walls or cabinets.</li></ul>	<ul style="list-style-type: none"><li>Make sure there is a gap of at least 2.5 inches (5 cm) between the refrigerator back and sides and any nearby walls or cabinets.</li></ul>
	<ul style="list-style-type: none"><li>Energy Saver mode is activated.</li></ul>	<ul style="list-style-type: none"><li>Deactivate Energy Saver mode.</li></ul>
Fridge/freezer is over-cooling.	<ul style="list-style-type: none"><li>The refrigerator is overloaded. Food is blocking the refrigerator vents.</li></ul>	<ul style="list-style-type: none"><li>Do not overload the refrigerator. Do not allow food to block vents.</li></ul>
	<ul style="list-style-type: none"><li>Temperature control is not set correctly.</li></ul>	<ul style="list-style-type: none"><li>Set the temperature higher.</li></ul>

Symptom	Possible causes	Solution
Interior wall is hot.	<ul style="list-style-type: none"> <li>Refrigerator has heat-proof piping in the interior wall.</li> </ul>	<ul style="list-style-type: none"> <li>To prevent condensation from forming, the refrigerator has heat-proof piping in the front corners. If the ambient temperature rises, this equipment may not work effectively. This is not a system failure.</li> </ul> 

## Odors

Symptom	Possible causes	Solution
Refrigerator has odors.	<ul style="list-style-type: none"> <li>Spoiled food.</li> </ul>	<ul style="list-style-type: none"> <li>Clean the refrigerator and remove any spoiled food.</li> </ul>
	<ul style="list-style-type: none"> <li>Food with strong odors.</li> </ul>	<ul style="list-style-type: none"> <li>Make sure strong smelling food is wrapped airtight.</li> </ul>

## Frost

Symptom	Possible causes	Solution
Frost around the vents.	<ul style="list-style-type: none"> <li>Food is blocking the vents.</li> </ul>	<ul style="list-style-type: none"> <li>Make sure no food blocks the refrigerator vents.</li> </ul>
Frost on interior walls.	<ul style="list-style-type: none"> <li>Door is not closed properly.</li> </ul>	<ul style="list-style-type: none"> <li>Make sure food does not block the door. Clean the door gasket.</li> </ul>
Fruits or vegetables are frozen.	<ul style="list-style-type: none"> <li>Fruits or vegetables are stored in the FlexZone™.</li> </ul>	<ul style="list-style-type: none"> <li>Do not store most kinds of fruit or vegetables in the FlexZone™.</li> </ul>

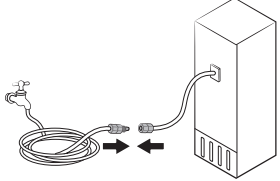
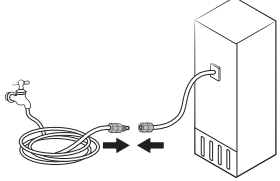
# Troubleshooting

## Condensation

Symptom	Possible causes	Solution
Condensation forms on the interior walls.	<ul style="list-style-type: none"> <li>If door is left open, moisture enters the refrigerator.</li> </ul>	<ul style="list-style-type: none"> <li>Remove the moisture and do not leave a door open for extended periods of time.</li> </ul>
	<ul style="list-style-type: none"> <li>Food with high moisture content.</li> </ul>	<ul style="list-style-type: none"> <li>Make sure food is wrapped airtight.</li> </ul>

## Water/ice (dispenser models only)

Symptom	Possible causes	Solution
Water flow is weaker than normal.	<ul style="list-style-type: none"> <li>Water pressure is too low.</li> </ul>	<ul style="list-style-type: none"> <li>Make sure the water pressure is between 20 and 120 psi.</li> </ul>
Ice maker makes a buzzing sound.	<ul style="list-style-type: none"> <li>The ice maker function is activated, but the water supply to the refrigerator has not been connected.</li> </ul>	<ul style="list-style-type: none"> <li>Press <b>Ice Maker</b>.</li> </ul>
Ice maker does not make ice.	<ul style="list-style-type: none"> <li>Ice maker has just been installed.</li> </ul>	<ul style="list-style-type: none"> <li>You must wait for 12 hours for the refrigerator to make ice.</li> </ul>
	<ul style="list-style-type: none"> <li>Freezer temperature is too high.</li> </ul>	<ul style="list-style-type: none"> <li>Set the freezer temperature below 0 °F (-18 °C) or -4 °F (-20 °C) in warm ambient air.</li> </ul>
	<ul style="list-style-type: none"> <li>Dispenser panel Lock is activated.</li> </ul>	<ul style="list-style-type: none"> <li>Deactivate dispenser panel Lock.</li> </ul>
	<ul style="list-style-type: none"> <li>Ice maker is off.</li> </ul>	<ul style="list-style-type: none"> <li>Turn on the ice maker.</li> </ul>

Symptom	Possible causes	Solution
Ice does not dispense.	<ul style="list-style-type: none"> <li>Ice may jam if the ice dispenser is not used for a long time (approx. 3 weeks).</li> </ul>	<ul style="list-style-type: none"> <li>If you won't be using the refrigerator for a long time, empty the ice bucket and turn off the ice maker.</li> </ul>
	<ul style="list-style-type: none"> <li>Ice bucket is not properly inserted.</li> </ul>	<ul style="list-style-type: none"> <li>Make sure the ice bucket is properly inserted.</li> </ul>
	<ul style="list-style-type: none"> <li>Water line is not connected properly or water supply is not on.</li> </ul>	<ul style="list-style-type: none"> <li>Check if the water line is installed correctly. Check if the water line stop cock is closed.</li> </ul> 
Water does not dispense.	<ul style="list-style-type: none"> <li>Water line is not connected properly or water supply is not on.</li> </ul>	<ul style="list-style-type: none"> <li>Check if the water line is installed correctly. Check if the water line stop cock is closed.</li> </ul> 
	<ul style="list-style-type: none"> <li>Dispenser panel Lock is activated.</li> </ul>	<ul style="list-style-type: none"> <li>Deactivate dispenser panel Lock.</li> </ul>
	<ul style="list-style-type: none"> <li>A third-party water filter was installed.</li> </ul>	<ul style="list-style-type: none"> <li>Use only Samsung-provided or approved filters.</li> <li>Unapproved filters may leak and damage the refrigerator.</li> </ul>
	<ul style="list-style-type: none"> <li>Water filter indicator turns on or blinks.</li> </ul>	<ul style="list-style-type: none"> <li>Replace the water filter. After replacing, reset the filter indicator sensor.</li> </ul>

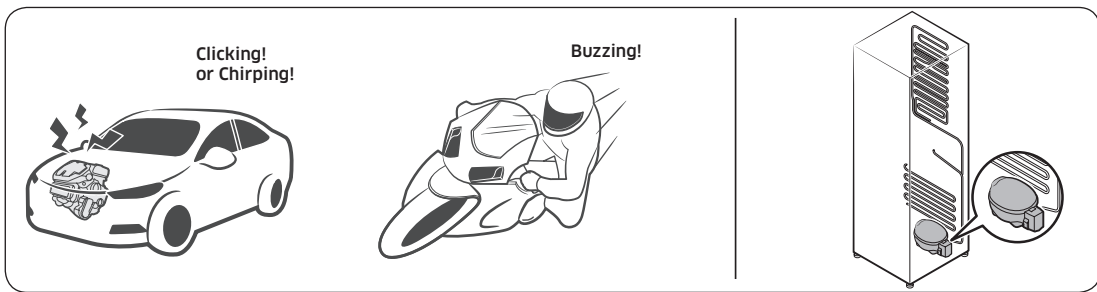
# Troubleshooting

## Do you hear abnormal sounds from the refrigerator?

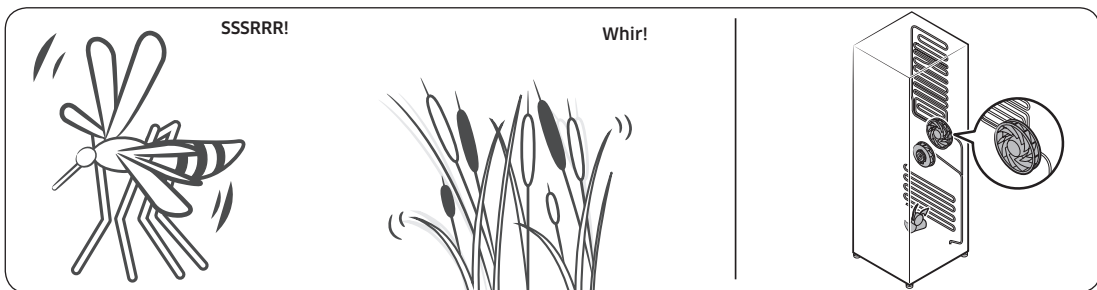
Before calling for service, review the information below. If you still have questions about sounds your refrigerator is making, please call Samsung Customer Care at 1-800-SAMSUNG (726-7864). Note that you will be charged for any service visits related to normal operating sounds in which no defects were found.

### These sounds are normal.

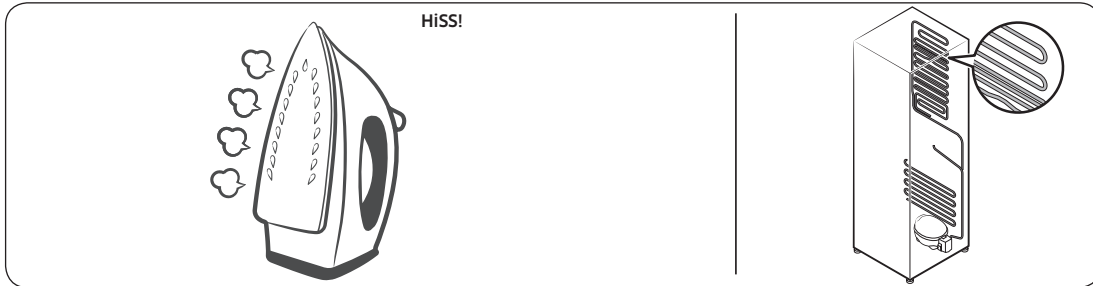
- When starting or ending an operation, the refrigerator may make sounds similar to a car engine ignition. As the operation stabilizes, the sounds will decrease.



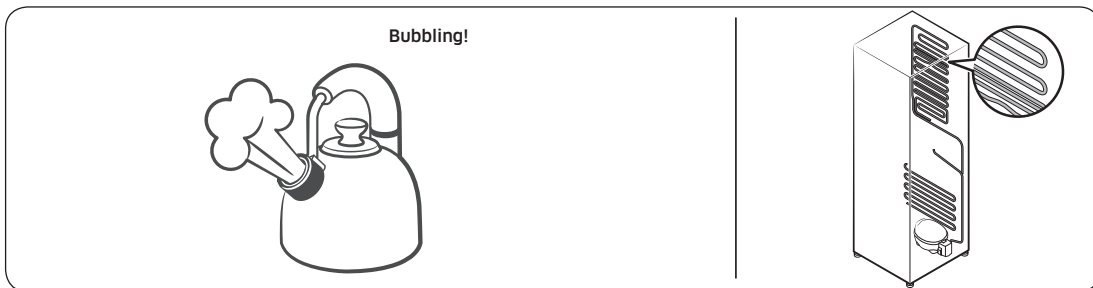
- While the fan is operating, these sounds may occur. When the refrigerator reaches the set temperature, the fan sound will stop.



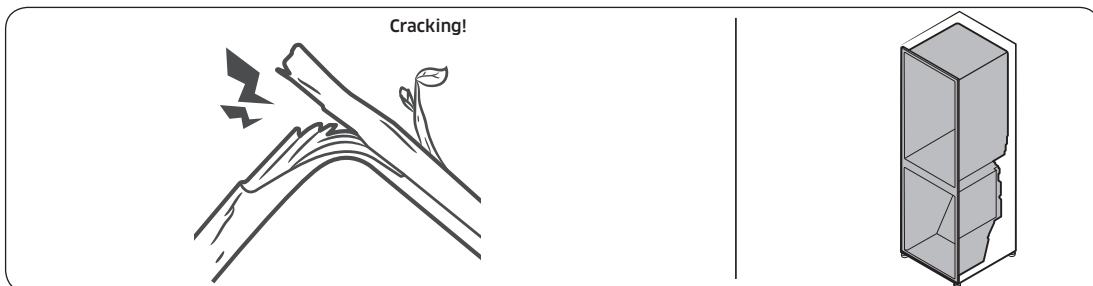
- During a defrost cycle, water may drip on the defrost heater, causing sizzling sounds.



- As the refrigerator cools or freezes, refrigerant gas moves through sealed pipes, causing bubbling sounds.



- As the refrigerator temperature increases or decreases, plastic parts contract and expand, creating knocking noises. These noises occur during the defrosting cycle or when electronic parts are working.



- For ice maker models: When the water valve opens to fill the ice maker, you may hear a buzzing sound.
- Due to pressure equalizing when you open and close the refrigerator door, you may hear a whooshing sound.

# Troubleshooting

## SmartThings

Symptom	Action
Could not find "SmartThings" in the app market.	<ul style="list-style-type: none"><li>The SmartThings app is designed for Android 6.0 (Marshmallow) or later, iOS 10.0 or later, iPhone 6 or later, and is optimized for Samsung smartphones (Galaxy S and Galaxy Note series).</li></ul>
The SmartThings app fails to operate.	<ul style="list-style-type: none"><li>The SmartThings app is available for applicable models only.</li><li>The old Samsung Smart Refrigerator app cannot connect with Samsung Smart Home models.</li></ul>
The SmartThings app is installed but is not connected to my refrigerator.	<ul style="list-style-type: none"><li>You must log into your Samsung account to use the app.</li><li>Make sure that your router is operating normally.</li><li>If you have not connected your refrigerator to the SmartThings App after the app was installed, you must make the connection using the device registration function of the app.</li></ul>
Could not log into the app.	<ul style="list-style-type: none"><li>You must log into your Samsung account to use the app.</li><li>If you don't have a Samsung account, follow the app's onscreen instructions to create one.</li></ul>
An error message appears when I try to register my refrigerator.	<ul style="list-style-type: none"><li>Easy Connection may fail due to the distance from your access point (AP) or electrical interference from the surrounding environment. Wait a moment and try again.</li></ul>
The SmartThings app is successfully connected to my refrigerator but does not run.	<ul style="list-style-type: none"><li>Exit and restart the SmartThings app or disconnect and reconnect the router.</li><li>Unplug the power cord of the refrigerator, and then plug it in again after 1 minute.</li></ul>

## Smart Grid (applicable models only)

Symptom	Action
What Do I Need to use the Energy Management and Smart Grid functions?	<p>To use the Smart Grid (Demand Response) and Energy Management functions on your refrigerator, you need the following:</p> <p>Devices</p> <ul style="list-style-type: none"> <li>• A wireless access point (router)</li> <li>• A Samsung Energy Management-supported refrigerator</li> <li>• A smartphone</li> </ul> <p>Registration</p> <ul style="list-style-type: none"> <li>• Connect your refrigerator to your home Wi-Fi network.</li> <li>• Register for the EMS service with your electric company. Your electric company must have an EMS (Energy Management System) supporting SEP (Smart Energy profile).</li> </ul> <p>App</p> <ul style="list-style-type: none"> <li>• Download the SmartThings app from the Google Play Store, Apple App Store, or Samsung Galaxy Apps.</li> <li>• Install and run the SmartThings app on your smartphone.</li> </ul>
Why isn't the Energy Management function working normally?	<ul style="list-style-type: none"> <li>• Make sure that your home router is operating normally with proper Internet service and connection.</li> <li>• Make sure that the refrigerator is connected to the AP (router).</li> </ul> <p>Checkpoints</p> <ul style="list-style-type: none"> <li>• Connect your smartphone to the router (AP, Access Point), and then check if you can browse the Internet on the smartphone.</li> </ul>
Why isn't the Delay Defrost Capability working normally?	<ul style="list-style-type: none"> <li>• Make sure that your home router is operating normally with proper Internet service and connection.</li> </ul>



# LIMITED WARRANTY (U.S.A.)

---

## SAMSUNG REFRIGERATOR

---

### LIMITED WARRANTY TO ORIGINAL CONSUMER PURCHASER WITH PROOF OF PURCHASE

This SAMSUNG brand product, as supplied and distributed by Samsung Electronics America, Inc. (SAMSUNG) and delivered new, in the original carton to the original consumer purchaser, is warranted by SAMSUNG against manufacturing defects in materials or workmanship for the limited warranty period of:

**One (1) year parts and labor**

**Five (5) years parts and labor on Sealed Refrigeration System Only (Compressor, Evaporator, Condenser, Drier, and Connecting Tubing)**

**Ten (10) years part and Five (5) years labor on Digital Inverter Compressor Only**

This limited warranty is valid only on products purchased and used in the United States that have been installed, operated, and maintained according to the instructions attached to or furnished with the product. To receive warranty service, the purchaser must contact SAMSUNG at the address or phone number provided below for problem determination and service procedures. Warranty service can only be performed by a SAMSUNG authorized service center. The original dated bill of sale must be presented upon request as proof of purchase to SAMSUNG or SAMSUNG's authorized service center to receive warranty service.

SAMSUNG will provide in-home service within the contiguous United States during the warranty period at no charge, subject to availability of SAMSUNG authorized servicers within the customer's geographic area. If in-home service is not available, SAMSUNG may elect, at its option, to provide transportation of the product to and from an authorized service center. If the product is located in an area where service by a SAMSUNG authorized servicer is not available, you may be responsible for a trip charge or required to bring the product to a SAMSUNG authorized service center for service.

To receive in-home service, product must be unobstructed and accessible to the service agent.

During the applicable warranty period, a product will be repaired, replaced, or the purchase price refunded, at the sole option of SAMSUNG. SAMSUNG may use new or reconditioned parts in repairing a product, or replace the product with a new or reconditioned product. Replacement parts and products are warranted for the remaining portion of the original product's warranty or ninety (90) days, whichever is longer. All replaced parts and products are the property of SAMSUNG and you must return them to SAMSUNG.

---

This limited warranty covers manufacturing defects in materials or workmanship encountered in normal household, noncommercial use of this product and shall not cover the following: damage that occurs in shipment, delivery, installation, and uses for which this product was not intended; damage caused by unauthorized modification or alteration of the product; product where the original factory serial numbers have been removed, defaced, changed in any way, or cannot be readily determined; cosmetic damage including scratches, dents, chips, and other damage to the product's finishes; damage caused by abuse, misuse, pest infestations, accident, fire, floods, or other acts of nature or God; damage caused by use of equipment, utilities, services, parts, supplies, accessories, applications, installations, repairs, external wiring or connectors not supplied or authorized by SAMSUNG; damage caused by incorrect electrical line current, voltage, fluctuations and surges; damage caused by failure to operate and maintain the product according to instructions; in-home instruction on how to use your product; and service to correct installation not in accordance with electrical or plumbing codes or correction of household electrical or plumbing (i.e., house wiring, fuses, or water inlet hoses). The cost of repair or replacement under these excluded circumstances shall be the customer's responsibility.

Visits by an authorized servicer to explain product functions, maintenance or installation are not covered by this limited warranty. Please contact SAMSUNG at the number below for assistance with any of these issues.

### **EXCLUSION OF IMPLIED WARRANTIES**

IMPLIED WARRANTIES, INCLUDING THE IMPLIED WARRANTIES OF MERCHANTABILITY OR FITNESS FOR A PARTICULAR PURPOSE, ARE LIMITED TO ONE YEAR OR THE SHORTEST PERIOD ALLOWED BY LAW. Some states do not allow limitations on how long an implied warranty lasts, so the above limitations or exclusions may not apply to you. This warranty gives you specific rights, and you may also have other rights, which vary from state to state.

# LIMITED WARRANTY (U.S.A.)

---

## LIMITATION OF REMEDIES

YOUR SOLE AND EXCLUSIVE REMEDY IS PRODUCT REPAIR, PRODUCT REPLACEMENT, OR REFUND OF THE PURCHASE PRICE AT SAMSUNG'S OPTION, AS PROVIDED IN THIS LIMITED WARRANTY. SAMSUNG SHALL NOT BE LIABLE FOR SPECIAL, INCIDENTAL OR CONSEQUENTIAL DAMAGES, INCLUDING BUT NOT LIMITED TO TIME AWAY FROM WORK, HOTELS AND/OR RESTAURANT MEALS, REMODELING EXPENSES, LOSS OF REVENUE OR PROFITS, FAILURE TO REALIZE SAVINGS OR OTHER BENEFITS REGARDLESS OF THE LEGAL THEORY ON WHICH THE CLAIM IS BASED, AND EVEN IF SAMSUNG HAS BEEN ADVISED OF THE POSSIBILITY OF SUCH DAMAGES. Some states do not allow exclusion or limitation of incidental or consequential damages, so the above limitations or exclusions may not apply to you. This warranty gives you specific rights, and you may also have other rights, which vary from state to state.

SAMSUNG does not warrant uninterrupted or error-free operation of the product. No warranty or guarantee given by any other person, firm, or corporation with respect to this product shall be binding on SAMSUNG.

To obtain warranty service, please contact SAMSUNG at:

Samsung Electronics America, Inc.

85 Challenger Road

Ridgefield Park, NJ 07660

1-800-SAMSUNG (726-7864)

[www.samsung.com/us/support](http://www.samsung.com/us/support)

# Warranty Information (CANADA)

---

## If your refrigerator needs service

---

Do not hesitate to call any Samsung Authorized Service Center nearby giving them your name, address and telephone number if your product is not functioning properly.

## Limited Warranty for Original Purchaser

---

This Samsung product is warranted by Samsung Electronics Canada Inc. (hereafter referred to as SECA) against manufacturing defects in material or workmanship for the following periods:

Labor : 1 year (in-home)

Parts : 1 year

Inverter Compressor : 10 years (Part only)

SECA further warrants that if this product fails to operate properly within the specified warranty period and the failure is due to improper workmanship or defective material, SECA will repair or replace the product at its option. In-home service is not available in all areas. Contact us to find out if in-home service is currently available in your area by using the contact information at the back of this warranty.

All warranty repairs or part replacements must be performed by a SECA Authorized Service Center. (To find the nearest SECA Service Center, call 1-800-SAMSUNG (7267864) or visit our web site at [www.samsung.com/ca](http://www.samsung.com/ca))

## Obligation to the Original Owner

---

The original dated sales receipt must be retained by the customer and is the only acceptable proof of purchase. It must be presented to a SECA Authorized Service Center at the time service is requested before warranty services are rendered. On all carry-in models, transportation to and from the Authorized Service Center is the responsibility of the customer.

# Warranty Information (CANADA)

---

## Exclusions of the Warranty

---

This warranty does not cover damage due to accident, fire, flood, and/or other Acts of God, misuse, incorrect line voltage, improper installation, improper or unauthorized repairs, commercial use, or damage that occurs during shipping. Customer adjustments which are explained in this owners manual are not covered under the terms of this warranty. This warranty will automatically be voided for any unit found with a missing or altered serial number. This warranty is valid only on products purchased and used in Canada.

### SAMSUNG CUSTOMER CARE CENTER

Samsung Electronics Canada Inc.  
2050 Derry Road West  
Mississauga, Ontario L5N 0B9  
Canada  
1-800-SAMSUNG (726-7864)  
[www.samsung.com/ca/support](http://www.samsung.com/ca/support) (English)  
[www.samsung.com/ca\\_fr/support](http://www.samsung.com/ca_fr/support) (French)

# Regulatory Notice

---

## FCC Notice

---

### **FCC CAUTION:**

Any changes or modifications not expressly approved by the party responsible for compliance could void the user's authority to operate the equipment.

Contains Transmitter Module FCC ID: A3LCWAM210S

This device complies with Part 15 of FCC Rules. Operation is Subject to the following two conditions:

- (1) This device may not cause harmful interference, and
- (2) This device must accept any interference received including interference that cause undesired operation.

For products available in the US and Canadian markets, only channels 1~11 are available. You cannot select other channels.

### **FCC STATEMENT:**

This equipment has been tested and found to comply within the limits for a Class B digital device, pursuant to part 15 of the FCC Rules. These limits are designed to provide reasonable protection against harmful interference in a residential installation.

This equipment generates, uses, and can radiate radio frequency energy and, if not installed and used in accordance with the instructions, may cause harmful interference to radio communications. However, there is no guarantee that interference will not occur in a particular installation. If this equipment does cause harmful interference to radio or television reception, which can be determined by turning the equipment off and on, the user is encouraged to try to correct the interference by one or more of the following measures:

- Reorient or relocate the receiving antenna
- Increase the separation between the equipment and receiver
- Connect the equipment to an outlet that is on a different circuit than the receiver.
- Consult the dealer or an experienced radio/TV technician for help.

### **FCC RADIATION EXPOSURE STATEMENT:**

This equipment complies with FCC radiation exposure limits set forth for an uncontrolled environment.

This equipment should be installed and operated so there is at least 8 inches (20 cm) between the radiator and your body. This device and its antennas must not be co-located or operated in conjunction with any other antenna or transmitter except in accordance with FCC multi-transmitter product procedures.

# Regulatory Notice

---

## IC Notice

---

Contains Transmitter Module IC: 649E-CWAM210S

The term “IC” before the radio certification number only signifies that Industry Canada technical specifications were met. Operation is subject to the following two conditions : (1) this device may not cause interference, and (2) this device must accept any interference, including interference that may cause undesired operation of the device.

This Class B digital apparatus complies with Canadian ICES-003.

Cet appareil numérique de la classe B est conforme à la norme NMB-003 du Canada.

For products available in the US and Canadian markets, only channels 1~11 are available. You cannot select other channels.

### **IC RADIATION EXPOSURE STATEMENT:**

This equipment complies with IC RSS-102 radiation exposure limits set forth for an uncontrolled environment. This equipment should be installed and operated so there is at least 8 inches (20 cm) between the radiator and your body. This device and its antennas must not be co-located or operated in conjunction with any other antenna or transmitter except in accordance with FCC multi-transmitter product procedures.

**SAVE THESE INSTRUCTIONS**

# Open Source Announcement

---

The software included in this product contains open source software. You may obtain the complete corresponding source code for a period of three years after the last shipment of this product by sending an email to <mailto:oss.request@samsung.com>.

It is also possible to obtain the complete corresponding source code in a physical medium such as a CD-ROM; a minimal charge will be required.

The following URL [http://opensource.samsung.com/opensource/SMART\\_AT\\_051/seq/0](http://opensource.samsung.com/opensource/SMART_AT_051/seq/0) leads to the download page of the source code made available and open source license information as related to this product. This offer is valid to anyone in receipt of this information.





# Memo

---

# Memo

---



Scan the QR code\* or visit [www.samsung.com/spsn](http://www.samsung.com/spsn) to view our helpful How-to Videos and Live Shows

\* Requires reader to be installed on your smartphone

Scan this with your smartphone

## Contact SAMSUNG WORLD WIDE

If you have any questions or comments relating to Samsung products, please contact the SAMSUNG Customer Care Center.

Country	Contact Center	Web Site
U.S.A	1-800-SAMSUNG (726-7864) 1-844-SAM-PAYS (726-7297)	<a href="http://www.samsung.com/us/support">www.samsung.com/us/support</a>
CANADA	1-800-SAMSUNG (726-7864) 1-844-SAM-PAYS (726-7297)	<a href="http://www.samsung.com/ca/support">www.samsung.com/ca/support</a> (English) <a href="http://www.samsung.com/ca_fr/support">www.samsung.com/ca_fr/support</a> (French)



DA68-03832A-01



# Refrigerador

## Manual del usuario

Electrodoméstico independiente

**SAMSUNG**

# Contenido

---

<b>Información sobre seguridad</b>	<b>4</b>
Qué debe saber sobre las instrucciones de seguridad	4
Símbolos y advertencias de seguridad importantes:	5
Advertencia sobre la State of California Proposition 65	5
Precauciones importantes de seguridad	5
Señales de advertencia importantes para el transporte y el emplazamiento	7
Advertencias muy importantes para la instalación	8
Precauciones para la instalación	10
Advertencias muy importantes para el uso	10
Precauciones de uso	13
Precauciones para la limpieza	14
Advertencias muy importantes para la eliminación de residuos	15
<b>Instalación</b>	<b>16</b>
Descripción breve del refrigerador	16
Instalación paso a paso	19
<b>Funcionamiento</b>	<b>40</b>
Panel principal	40
SmartThings	50
Función SMART GRID (respuesta a la demanda)	53
Panel del dispensador	58
Funciones especiales	59
<b>Mantenimiento</b>	<b>65</b>
Manipulación y cuidado	65
Limpieza	75
Reemplazo	76
<b>Solución de problemas</b>	<b>79</b>
General	79
¿Se oyen ruidos anómalos procedentes del refrigerador?	84
SmartThings	86
Smart Grid (solo para los modelos correspondientes)	87

---

<b>GARANTÍA LIMITADA (EE.UU.)</b>	<b>88</b>
REFRIGERADOR SAMSUNG	88
<b>Aviso regulatorio</b>	<b>91</b>
Aviso de la FCC	91
Aviso de la IC	92



# Información sobre seguridad

---

Antes de utilizar su nuevo refrigerador Samsung, lea detenidamente este manual a fin de aprender a usar las funciones que ofrece de manera segura y eficiente.

## Qué debe saber sobre las instrucciones de seguridad

---

- Este electrodoméstico no debe ser utilizado por personas (incluidos niños) con capacidades mentales, sensoriales o físicas reducidas, o por personas que carezcan de experiencia y de conocimientos, a menos que se encuentren bajo supervisión o hayan recibido las instrucciones de uso por parte de un responsable de su seguridad. Se deberá vigilar a los niños para asegurarse de que no jueguen con el electrodoméstico.
- Debido a que las siguientes instrucciones corresponden a diversos modelos, es posible que las características de su refrigerador difieran ligeramente de las que se describen en este manual.
- Si tiene alguna duda, comuníquese al 1-800-SAMSUNG o encuentre ayuda e información en línea en [www.samsung.com](http://www.samsung.com).
- Si el refrigerante sale por los tubos, este podría incendiarse o dañar los ojos. Si hay pérdida de refrigerante del tubo, manténgalo alejado de las llamas, aparte cualquier material inflamable del producto y ventile la habitación inmediatamente.
  - No seguir esta recomendación puede causar riesgos de incendio o explosión.
- El uso inapropiado de la conexión a tierra puede traer como consecuencia un riesgo de descarga eléctrica. Si necesita usar un cable de extensión, use solo uno de tres hilos con un enchufe que tenga una tercera punta para el polo a tierra; la toma de corriente deberá tener 3 ranuras para adaptarse al enchufe del electrodoméstico. La potencia indicada en el cable de extensión debe ser CA 115-120 V, 10 A o superior. Si se utiliza un adaptador de tierra, asegúrese de que el receptáculo esté conectado correctamente a tierra.





## Símbolos y advertencias de seguridad importantes:

Sírvase seguir todas las instrucciones de seguridad del presente manual. En el presente manual se utilizan los siguientes símbolos de seguridad.

### **ADVERTENCIA**

Riesgos o prácticas inseguras que pueden causar **graves lesiones personales, daños a la propiedad y/o incluso la muerte.**

### **PRECAUCIÓN**

Riesgos o prácticas inseguras que pueden causar **lesiones personales leves y/o daños materiales.**

### **NOTA**

Información útil que ayuda a los usuarios a comprender u obtener beneficios del refrigerador.

Estas señales de advertencia se incluyen aquí para evitar que usted o terceros sufran lesiones.

Sígalas atentamente.

Después de leer esta sección, consérvela en un lugar seguro para referencia futura.

## Advertencia sobre la State of California Proposition 65

### **ADVERTENCIA**

Cáncer y Daño Reproductivo - [www.P65Warnings.ca.gov](http://www.P65Warnings.ca.gov).

## Precauciones importantes de seguridad



Advertencia: riesgo de incendio/materiales inflamables

### **ADVERTENCIA**

- Se utiliza R-600a como refrigerante. Este producto contiene gas inflamable (Refrigerante R-600a), comuníquese con las autoridades locales para desechar este producto en forma segura.
- Para evitar la creación de una mezcla de gas-aire inflamable en caso de una pérdida en el circuito del refrigerante, el tamaño del lugar en el que se coloca el refrigerador depende de la cantidad de refrigerante utilizado. El lugar debe tener 35.3 ft<sup>3</sup> por cada 8 g de refrigerante R-600a en el electrodoméstico.
- La ubicación de instalación no debe estar expuesta a la luz solar directa ni cerca de ningún electrodoméstico o fuente de calor, tales como estufas, hornos u hornillas, radiadores, etc.





# Información sobre seguridad

- Si coloca dos productos uno junto al otro, por razones de seguridad, asegúrese de utilizar productos certificados en atmósferas de gas explosivas.
- Nunca debe poner en marcha un electrodoméstico que presente signos de haber sido dañado. Si tiene alguna inquietud, consulte a su distribuidor.
- Si el cable de alimentación está dañado, debe ser reemplazado por el fabricante, su agente de servicios o personas igualmente calificadas para evitar riesgos.
- Debe poder accederse al tomacorriente con facilidad para que el electrodoméstico pueda desenchufarse de la alimentación en caso de emergencia. Debe encontrarse fuera de la zona trasera del electrodoméstico.
- No almacene sustancias explosivas como latas de aerosoles con gases propelentes inflamables en este electrodoméstico.
- Se deben utilizar las mangueras nuevas provistas con el electrodoméstico y no reutilizar las mangueras antiguas.
- Cuando instale el electrodoméstico, asegúrese de que el cable de alimentación no esté atrapado ni dañado.
- No ubique varias regletas de tomacorrientes portátiles o unidades de alimentación móviles en la parte trasera del electrodoméstico.

## **ADVERTENCIA**

- El sistema contiene refrigerante a alta presión. No utilice el sistema en forma indebida. El mantenimiento debe estar a cargo únicamente de personas calificadas.
- Llenar únicamente con agua potable.
- Mantenga las aberturas de ventilación del gabinete o estructura incorporada del electrodoméstico libres de obstrucciones.
- No utilice dispositivos mecánicos ni cualquier otro medio para acelerar el proceso de descongelamiento que no sean aquellos recomendados por el fabricante.
- No dañe el circuito del refrigerante.
- No utilice electrodomésticos eléctricos dentro de los compartimientos de almacenamiento de alimentos del electrodoméstico, a menos que sean del tipo recomendado por el fabricante.
- Conéctelo solamente a un suministro de agua potable.
- Para evitar riesgos por inestabilidad del electrodoméstico, debe instalarse de acuerdo con las instrucciones.
- El sistema de refrigeración está bajo alta presión. No lo utilice en forma indebida. Comuníquese con personal de servicio técnico calificado antes de desecharlo.

## **PELIGRO**

- Existe el riesgo de que los niños queden encerrados. Antes de desechar su antiguo refrigerador o congelador:
  - Retire las puertas.
  - Deje los estantes en su lugar de manera tal que los niños no puedan trepar fácilmente.



## PRECAUCIÓN

- Riesgo de incendio o explosión. Se utiliza refrigerante inflamable. No utilice dispositivos mecánicos para descongelar el refrigerador. No perforo la tubería del refrigerante.
- Riesgo de incendio o explosión. Se utiliza refrigerante inflamable. Reparación únicamente por parte de personal de servicio técnico capacitado. No perforo la tubería del refrigerante.
- Riesgo de incendio o explosión. Se utiliza refrigerante inflamable. Consulte el Manual de reparación/ Guía del propietario antes de intentar reparar este producto. Deben cumplirse todas las precauciones de seguridad.
- Riesgo de incendio o explosión. Deseche de acuerdo con las regulaciones federales y locales. Se utiliza refrigerante inflamable.
- Riesgo de incendio o explosión por perforación de los tubos de refrigerante; siga las instrucciones de manejo cuidadosamente. Se utiliza refrigerante inflamable.
- Para prevenir que los niños queden encerrados, manténgalo fuera del alcance de los niños y lejos del congelador o refrigerador.

### **Este electrodoméstico está diseñado para uso doméstico y en lugares como**

- zonas de cocina de tiendas, oficinas y otros entornos de trabajo
- granjas y zonas de uso de los clientes en hoteles, moteles u otros entornos de tipo residencial
- hospederías;
- banqueterías y eventos en instalaciones no minorista similares

## **Señales de advertencia importantes para el transporte y el emplazamiento**

### ADVERTENCIA

- Al transportar e instalar el electrodoméstico deberá tener cuidado de no dañar ninguna de las piezas del circuito del refrigerante.
  - La pérdida de refrigerante del tubo podría incendiarse o dañar los ojos. Si se detecta una fuga, manténgalo alejado de las llamas o de posibles fuentes de inflamación y ventile durante varios minutos el ambiente en el que se encuentra la unidad.
  - El electrodoméstico contiene una pequeña cantidad de refrigerante de isobutano (R-600a), un gas natural con alta compatibilidad ambiental, no obstante también inflamable.



# Información sobre seguridad

## Advertencias muy importantes para la instalación

### **ADVERTENCIA**

- No instale el refrigerador en un lugar húmedo o donde pueda entrar en contacto con agua.
  - El aislamiento deficiente de las piezas eléctricas puede provocar una descarga eléctrica o un incendio.
- No exponga este refrigerador a la luz solar directa ni al calor de estufas, calefactores u otros electrodomésticos.
- No enchufe varios electrodomésticos en la misma toma múltiple. El refrigerador debe conectarse siempre a un tomacorriente individual cuyo voltaje nominal coincida con el que se especifica en la placa de voltaje del refrigerador.
  - De esta manera se obtiene el mejor desempeño y también se evita que se sobrecarguen los circuitos del cableado de la casa, lo que podría sobrecalentar los cables y provocar un riesgo de incendio.
- Si el tomacorriente está flojo, no conecte el enchufe.
  - Existe el riesgo de que se produzca una descarga eléctrica o un incendio.
- No utilice un cable de alimentación que esté dañado o gastado en su extensión o en cualquiera de los extremos.
- No doble excesivamente el cable de alimentación ni coloque objetos pesados sobre él.
- No tire del cable de alimentación ni lo doble excesivamente.
- No retuerza ni amarre el cable de alimentación.
- No coloque el cable de alimentación sobre un objeto metálico; no coloque sobre él ningún objeto pesado; no lo coloque entre objetos ni lo empuje hacia el espacio que hay detrás del electrodoméstico.
- Al mover el refrigerador, tenga cuidado de no enroscar ni dañar el cable de alimentación.
  - Esto podría causar una descarga eléctrica o un incendio.
- Nunca desenchufe el refrigerador jalando el cable de alimentación. Siempre sostenga el enchufe con firmeza y jale para extraerlo del tomacorriente.
  - Los daños al cable pueden provocar un cortocircuito, un incendio o una descarga eléctrica.
- No instale este electrodoméstico cerca de calefactores o materiales inflamables.
- No instale este electrodoméstico en un lugar donde pueda haber fugas de gas.
  - Esto podría causar una descarga eléctrica o un incendio.
- Antes de usarse, el refrigerador debe ubicarse e instalarse de manera apropiada de acuerdo con las instrucciones de este manual.
- Conecte el enchufe en la posición correcta con el cable colgando hacia abajo.
  - Si conecta el enchufe al revés, el cable puede cortarse y provocar un incendio o una descarga eléctrica.
- Asegúrese de que el enchufe no esté aplastado ni haya sido dañado por la parte posterior del refrigerador.



- Mantenga los materiales de empaque fuera del alcance de los niños.
  - Existe el riesgo de muerte por asfixia si un niño se coloca los materiales de empaque en la cabeza.
- El electrodoméstico debe colocarse de manera tal que se pueda acceder al enchufe después de la instalación.
  - No seguir esta recomendación puede causar una descarga eléctrica o un incendio debido a una fuga de electricidad.
- No instale este electrodoméstico en un lugar húmedo, engrasado o sucio, o en un sitio con exposición directa al sol o al agua (lluvia).
  - El aislamiento deficiente de las piezas eléctricas puede provocar una descarga eléctrica o un incendio.
- Si ingresaran grandes cantidades de polvo o agua al refrigerador, desenchufe el cable de alimentación y comuníquese con un Centro de Servicio de Samsung Electronics.
  - Si no lo hace, existe el riesgo de que se produzca un incendio.
- No se pare sobre el electrodoméstico ni le coloque objetos encima (tales como ropa, velas o cigarrillos encendidos, platos, productos químicos, objetos metálicos, etc.).
  - Esto podría causar una descarga eléctrica, un incendio, problemas con el producto o lesiones.
- Es necesario quitar toda la película plástica protectora antes de enchufar el producto por primera vez.
- Se deberá vigilar a los niños para asegurarse de que no jueguen con los anillos elásticos utilizados para el ajuste de la puerta o con las grapas del tubo de agua.
  - Existe riesgo de muerte por asfixia si un niño se traga un anillo elástico o una grapa del tubo de agua. Mantenga los anillos elásticos y las grapas del tubo de agua fuera del alcance de los niños.
- El refrigerador debe estar conectado a tierra de manera segura.
  - Siempre asegúrese de haber conectado el refrigerador a tierra antes de intentar examinar o reparar alguna pieza. Las fugas de energía pueden provocar una descarga eléctrica grave.
- Nunca utilice como conexión a tierra tubos de gas, líneas telefónicas ni otras posibles fuentes de atracción de rayos.
  - El refrigerador debe estar conectado a tierra para evitar cualquier fuga de energía o descarga eléctrica provocada por fugas de corriente del refrigerador.
  - La fuga de corriente podría causar descargas eléctricas, incendios, explosiones o problemas con el producto.
- Conecte bien el enchufe a la toma de pared. No utilice enchufes o cables de alimentación dañados ni enchufes de pared flojos.
  - Esto podría causar una descarga eléctrica o un incendio.
- Únicamente un técnico calificado o compañía de reparaciones debe estar autorizado para cambiar el fusible del refrigerador.
  - No seguir esta recomendación, podría causar una descarga eléctrica o lesiones.



# Información sobre seguridad

---

## Precauciones para la instalación

---

### PRECAUCIÓN

- Deje espacio suficiente alrededor del refrigerador e instálelo sobre una superficie plana.
  - Mantenga libre de obstáculos el espacio de ventilación en el gabinete o la estructura de montaje del electrodoméstico.
- Una vez que haya instalado el refrigerador y lo haya encendido, permita que funcione durante 2 horas antes de cargarlo con alimentos.
- Se recomienda que el refrigerador sea instalado por un técnico calificado o una compañía de servicios.
  - No seguir esta recomendación puede causar descargas eléctricas, incendios, explosiones, problemas con el producto o lesiones.
- Sobrecargar una de las puertas puede ocasionar la caída del refrigerador y provocar lesiones personales.

## Advertencias muy importantes para el uso

---

### ADVERTENCIA

- No conecte el enchufe en un tomacorriente con las manos mojadas.
  - Esto podría causar una descarga eléctrica.
- No coloque objetos en la parte superior de la unidad.
  - Cada vez que abra o cierre la puerta, estos podrían caerse y provocar lesiones personales o daños materiales.
- No coloque las manos, los pies ni objetos metálicos (tales como palillos chinos, etc.) en la parte inferior o posterior del refrigerador.
  - Esto podría causar una descarga eléctrica o lesiones personales.
  - Algunos bordes filosos podrían provocar lesiones personales.
- No toque las paredes internas del congelador ni los productos almacenados en este con las manos mojadas.
  - Esto puede provocar quemaduras por frío.
- No coloque un recipiente con agua sobre el refrigerador.
  - Si se derrama, existe el riesgo de que se produzca un incendio o una descarga eléctrica.
- No almacene sustancias u objetos volátiles o inflamables (benceno, solvente, gas propano, alcohol, éter, gas LP ni cualquier otro producto de este tipo) en el refrigerador.
  - Este refrigerador se debe utilizar solo para almacenar alimentos.
  - Esto podría causar un incendio o una explosión.
- Se deberá vigilar a los niños para asegurarse de que no jueguen con el electrodoméstico.
  - Aleje los dedos de los puntos de agarre. Los espacios entre las puertas y el gabinete son inevitablemente pequeños. Abra las puertas con cuidado si hay niños cerca.



- No permita que los niños se cuelguen de la puerta ni de los compartimientos de la puerta. Pueden producirse lesiones graves.
- No permita que los niños ingresen al refrigerador. Podrían quedar atrapados.
- No coloque las manos debajo del electrodoméstico.
  - Es posible que algunas puntas filosas le provoquen lesiones.
- No almacene en el refrigerador productos farmacéuticos, materiales científicos ni productos sensibles a la temperatura.
  - No se deben almacenar productos que requieran controles estrictos de temperatura.
- No coloque ni utilice aparatos eléctricos dentro del refrigerador/congelador, a menos que sean del tipo recomendado por el fabricante.
- En caso de sentir olor a humo, desconecte el enchufe de inmediato y comuníquese con un Centro de Servicio de Samsung Electronics.
- Si ingresaran grandes cantidades de polvo o agua al refrigerador, desenchufe el cable de alimentación y comuníquese con el Centro de Servicio de Samsung Electronics.
  - Si no lo hace, existe el riesgo de que se produzca un incendio.
- No permita que los niños se paren sobre un cajón.
  - El cajón se puede romper y los niños pueden caerse.
- No deje las puertas del refrigerador abiertas si el refrigerador no está siendo vigilado y no permita que los niños ingresen en el refrigerador.
- No permita que los bebés ni los niños ingresen al cajón.
  - Esto puede provocar muerte por asfixia debido al encierro o lesiones personales.
- No sobrecargue el refrigerador con comida.
  - Cuando abra la puerta, algún elemento podría caerse y provocar lesiones personales o daños materiales.
- No pulverice material volátil, tal como un insecticida, sobre la superficie del electrodoméstico.
  - Además de ser perjudicial para los seres humanos, puede causar una descarga eléctrica, un incendio o problemas con el producto.
- Nunca coloque los dedos ni otros objetos en el orificio del dispensador de agua, en el recipiente de hielo o en la cubeta de la fábrica de hielo.
  - Esto puede provocar lesiones personales o daños materiales.
- No utilice ni coloque ninguna sustancia sensible a la temperatura, tales como pulverizadores inflamables, objetos inflamables, hielo seco, medicamentos o productos químicos, cerca o dentro del refrigerador.
- No utilice un secador de cabello para secar el interior del refrigerador. No coloque velas encendidas en el refrigerador para eliminar los malos olores.
  - Esto podría causar una descarga eléctrica o un incendio.
- Llene el tanque de agua y la charola para el hielo solamente con agua potable (agua de la llave, agua mineral o agua purificada).
  - No llene el tanque con té, jugo ni bebidas isotónicas. Pueden dañar el refrigerador.



# Información sobre seguridad

---

- No se pare sobre el electrodoméstico ni le coloque objetos encima (tales como ropa, velas o cigarrillos encendidos, platos, productos químicos, objetos metálicos, etc.). Esto podría causar una descarga eléctrica, un incendio, problemas con el producto o lesiones. No coloque un recipiente con agua sobre el electrodoméstico.
  - Si se derrama, existe el riesgo de que se produzca un incendio o una descarga eléctrica.
- No mire fijamente la lámpara LED UV durante mucho tiempo.
  - Los rayos ultravioletas podrían dañarle la visión.
- No coloque el estante del refrigerador al revés. El tope del estante no funcionará.
  - El estante de vidrio puede caerse y provocar lesiones.
- Aleje los dedos de los puntos de agarre. Los espacios entre las puertas y el gabinete son inevitablemente pequeños. Abra las puertas con cuidado si hay niños cerca.
- Si se detecta una fuga de gas, evite las llamas o posibles fuentes de ignición y ventile durante varios minutos la habitación en la que se encuentra el electrodoméstico.
  - No toque el electrodoméstico ni el cable de alimentación.
  - No utilice un ventilador.
  - Una chispa puede provocar una explosión o un incendio.
- Utilice solamente lámparas LED proporcionadas por el fabricante o sus agentes de servicio técnico.
- Las botellas se deben almacenar una junto a otra de manera tal que no se tumben ni se caigan.
- Este producto se debe utilizar solo para almacenar alimentos en un entorno doméstico.
- Nunca coloque los dedos ni otros objetos en el orificio del dispensador de agua, en el recipiente de hielo o en la cubeta de la fábrica de hielo.
  - Puede provocar lesiones personales o daños materiales.
- No intente reparar, desensamblar ni modificar el refrigerador por su cuenta.
  - Las modificaciones que no han sido autorizadas pueden provocar problemas de seguridad. Para revertir una modificación no autorizada, cobraremos el costo completo de las piezas y mano de obra.
- No utilice ningún fusible (tales como los de alambres de acero, de cobre, etc.) que no sea un fusible estándar.
- Si es necesario reparar o volver a instalar el refrigerador, comuníquese con su Centro de Servicio Samsung más cercano.
  - No seguir esta recomendación puede causar una descarga eléctrica, un incendio, problemas con el producto o lesiones.
- Si la lámpara LED interior o exterior se ha apagado, comuníquese con el Centro de Servicio más cercano.
- En caso de sentir olor a quemado o a humo en el refrigerador, desenchúfelo de inmediato y comuníquese con un Centro de Servicio Samsung.
  - No seguir esta recomendación podría causar una descarga eléctrica o un incendio.
- Desenchufe el refrigerador antes de cambiar las lámparas internas.
  - Si no lo hace, existe el riesgo de que se produzca una descarga eléctrica.



- Si le resulta difícil cambiar una luz que no sea de LED, comuníquese con un Centro de Servicio de Samsung.
- Si el producto cuenta con lámparas LED, no desensamble las cubiertas de la lámpara y las lámparas LED usted mismo.
  - Comuníquese con un Centro de Servicio de Samsung.
- Conecte bien el enchufe a la toma de pared.
- No utilice enchufes o cables de alimentación dañados ni enchufes de pared flojos.
  - Esto podría causar una descarga eléctrica o un incendio.

## Precauciones de uso

### PRECAUCIÓN

- No vuelva a congelar alimentos que se hayan descongelado completamente.
- Utilice solamente la fábrica de hielo del refrigerador.
- Para obtener el mejor desempeño del producto:
  - No coloque alimentos muy cerca de las rejillas de ventilación en la parte posterior del refrigerador, ya que pueden obstruir la libre circulación del aire en el compartimiento del refrigerador.
  - Envuelva los alimentos adecuadamente o colóquelos en recipientes herméticos antes de almacenarlos en el refrigerador.
  - Cumpla con los tiempos máximos de almacenamiento y las fechas de vencimiento de los alimentos congelados.
- No coloque recipientes ni botellas de vidrio ni bebidas carbonatadas en el congelador.
  - El recipiente puede congelarse y romperse, y esto puede ocasionar lesiones.
- Garantía de servicio y modificación.
  - El servicio de garantía de Samsung no cubre los cambios o las modificaciones realizadas por un tercero a este electrodoméstico; Samsung tampoco es responsable de los problemas relacionados con la seguridad que puedan surgir a causa de modificaciones hechas por terceros.
- No obstruya las rejillas de ventilación dentro del refrigerador.
  - Si las rejillas de ventilación están tapadas, en particular con una bolsa de plástico, el refrigerador se puede sobrecongelar. Si el período de enfriamiento es demasiado prolongado, el filtro de agua puede romperse y provocar fugas de agua.
- Si se desconecta el refrigerador del suministro de energía, espere al menos cinco minutos antes de volver a enchufarlo.
- Si entraran grandes cantidades de agua al refrigerador, desenchúfelo y comuníquese con un Centro de Servicio Samsung.
- No golpee ni aplique una fuerza excesiva sobre ninguna superficie de vidrio.
  - Un vidrio roto puede causar lesiones personales o daños materiales.



# Información sobre seguridad

- Llene el tanque de agua y la charola para el hielo solamente con agua potable (agua de la llave, agua mineral o agua purificada).
  - No llene el tanque con té, jugo ni bebidas isotónicas. Pueden dañar el refrigerador.
- Si el refrigerador se inunda, desconecte la alimentación del refrigerador y comuníquese con el centro de servicios Samsung más cercano.
  - Existe el riesgo de que se produzca una descarga eléctrica o un incendio.
- No guarde aceite vegetal en los compartimientos de la puerta del refrigerador. El aceite puede solidificarse, y modificar su sabor y la facilidad de uso. Asimismo, el envase abierto puede gotear y el aceite vertido puede causar grietas en el compartimiento de la puerta. Una vez abierto un envase de aceite, es mejor almacenarlo en un lugar fresco y a la sombra, como un armario o alacena.
  - Ejemplos de aceite vegetal: aceite de oliva, de maíz, de semilla de uva, etc.

## Precauciones para la limpieza

### PRECAUCIÓN

- No pulverice con agua directamente dentro o fuera del refrigerador.
  - Existe el riesgo de que se produzca un incendio o una descarga eléctrica.
- No utilice un secador de cabello para secar el interior del refrigerador.
- No coloque velas encendidas en el refrigerador para eliminar los malos olores.
  - Esto podría causar una descarga eléctrica o un incendio.
- No rocíe productos de limpieza directamente sobre el visor.
  - Las letras impresas en el visor pueden borrarse.
- Si cualquier sustancia extraña, tal como agua, ingresa en el refrigerador, desenchúfelo y comuníquese con su Centro de Servicio Samsung más cercano.
  - No seguir esta recomendación podría causar una descarga eléctrica o un incendio.
- Use un paño seco y limpio para retirar cualquier sustancia extraña o polvo de las clavijas del enchufe. No utilice un paño mojado ni húmedo para limpiar el enchufe.
  - De lo contrario, existe el riesgo de que se produzca un incendio o una descarga eléctrica.
- No limpie el refrigerador rociando agua directamente sobre él.
- No limpie el refrigerador con benceno, disolvente o Clorox (blanqueador).
  - Pueden dañar la superficie del refrigerador y provocar un incendio.
- Nunca coloque los dedos ni otros objetos en la salida del dispensador.
  - Puede provocar lesiones personales o daños materiales.
- Antes de limpiar o realizar el mantenimiento, desenchufe el refrigerador del enchufe de pared.
  - No seguir esta recomendación podría causar una descarga eléctrica o un incendio.
- Utilice una esponja limpia o un paño suave y un detergente neutro disuelto en agua templada para limpiar el refrigerador.

- No utilice limpiadores abrasivos ni muy fuertes, como limpiacristales, limpiadores corrosivos, líquidos inflamables, ácido clorhídrico, ceras limpiadoras, detergentes concentrados, blanqueadores o limpiadores que contengan petróleo en las superficies externas (puertas y paneles), piezas de plástico, revestimientos de puertas e interiores y juntas.
  - Pueden rayar o dañar el material.
- No limpie con agua caliente los estantes o las cubiertas de vidrio cuando estén fríos. Los estantes y las cubiertas de vidrio pueden romperse si se exponen a cambios bruscos de temperatura o a impactos como golpes o caídas.

## Advertencias muy importantes para la eliminación de residuos

### ADVERTENCIA

- Si algún niño queda atrapado dentro del refrigerador, puede lastimarse o asfixiarse hasta morir.
- Deseche el material de empaque de este producto de forma tal que no resulte nocivo para el medio ambiente.
- Asegúrese de que ninguno de los tubos que se encuentran en la parte trasera del refrigerador estén dañados antes de desecharlos.
- Se utiliza R-600a como refrigerante. Este producto contiene gas inflamable (Refrigerante R-600a), comuníquese con las autoridades locales para desechar este producto en forma segura.
- Cuando deseche este refrigerador, retire los burletes y los pestillos de las puertas de manera tal que los niños pequeños o los animales no puedan quedar atrapados en el interior. Se deberá vigilar a los niños para asegurarse de que no jueguen con el electrodoméstico.
  - Si quedan atrapados dentro, los niños pueden lesionarse o sofocarse hasta morir.
- Se utiliza ciclopentano como aislante. Los gases del material de aislamiento requieren un procedimiento especial para desecharlos. Comuníquese con las autoridades locales para desechar este producto de manera que no resulte nocivo para el medio ambiente.
- Mantenga los materiales de empaque fuera del alcance de los niños, ya que pueden ser peligrosos para ellos.
  - Si un niño se coloca una bolsa en la cabeza, puede asfixiarse.

# Instalación

Siga las instrucciones cuidadosamente a fin de garantizar la instalación adecuada del refrigerador y de evitar accidentes antes de utilizarlo.

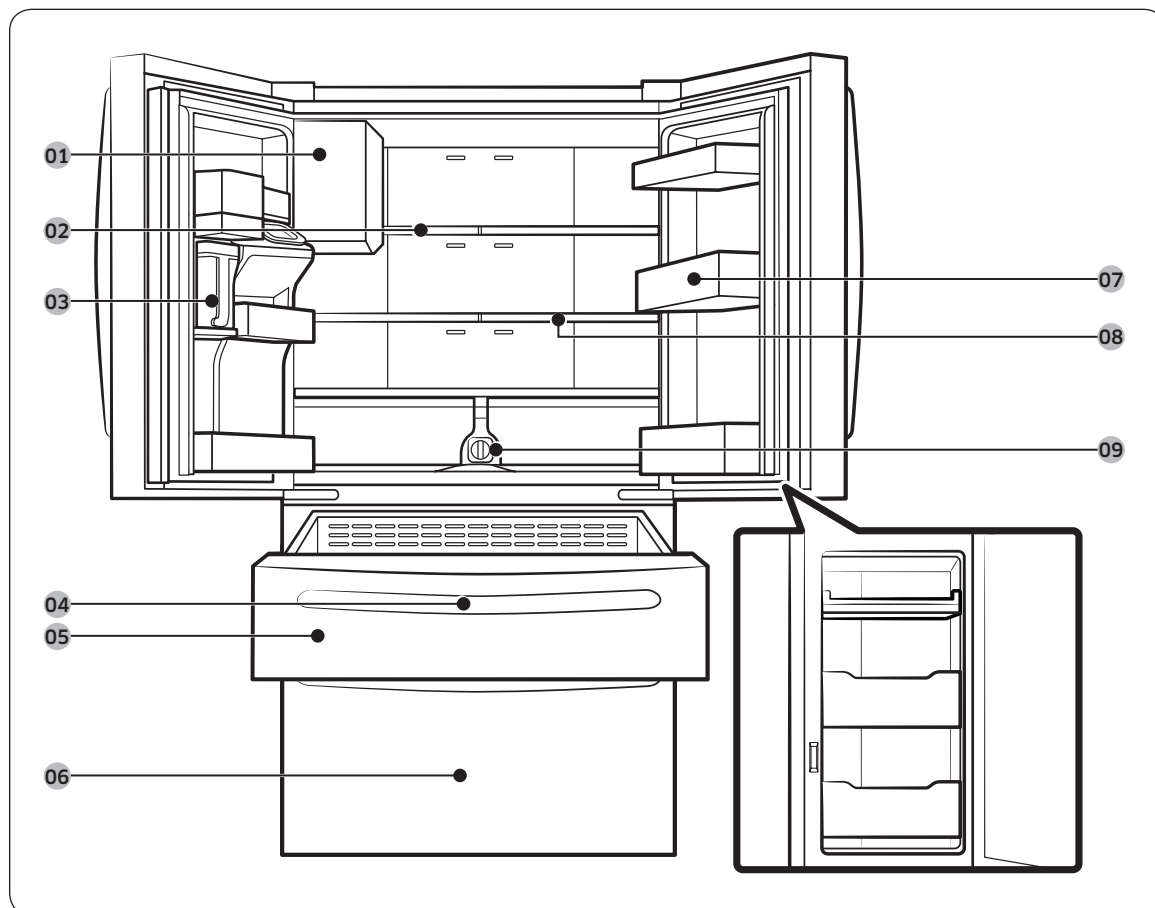
## ADVERTENCIA

- Utilice el refrigerador solamente para su uso previsto como se describe en este manual.
- Todas las reparaciones deben estar a cargo de un técnico calificado.
- Descarte el material de empaque del producto de acuerdo con la normativa local.
- A fin de evitar descargas eléctricas, desconecte el enchufe antes de realizar trabajos de mantenimiento o reemplazo de piezas.

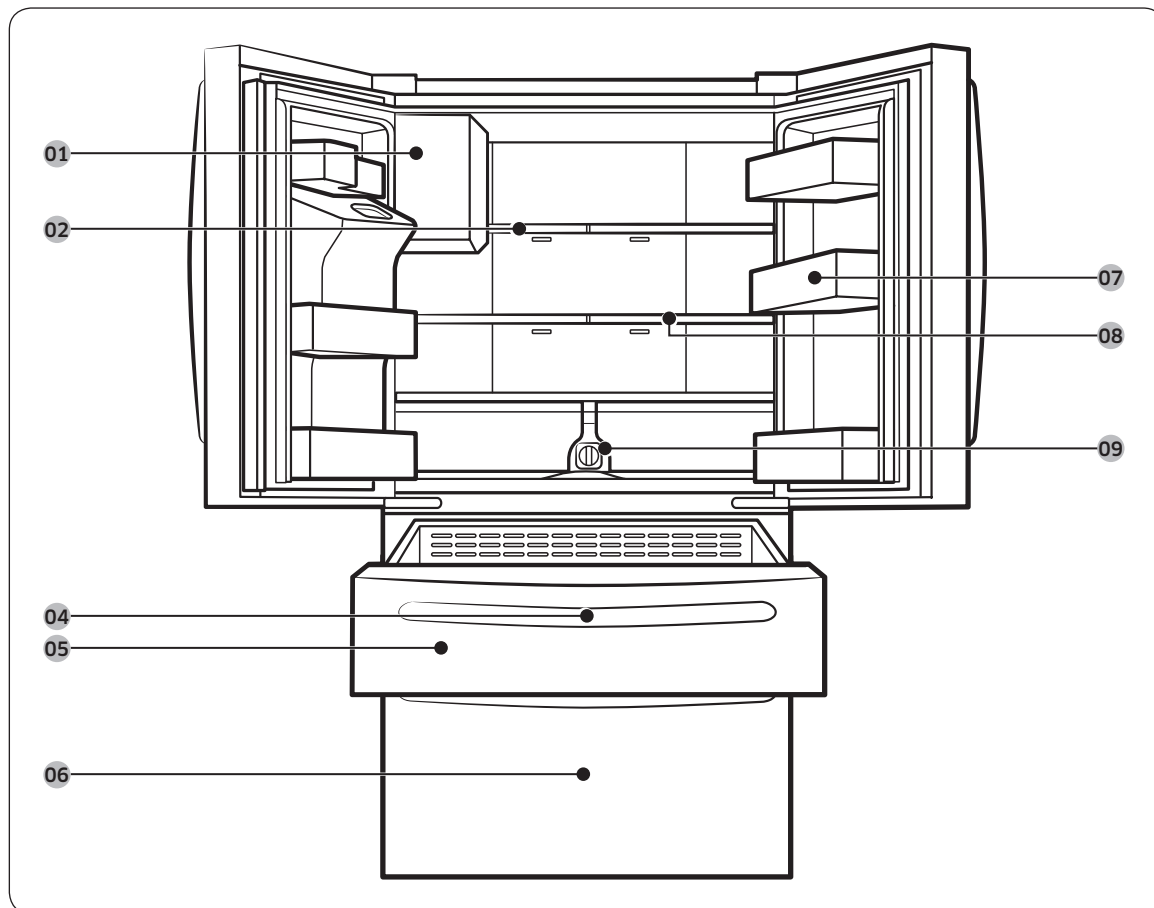
## Descripción breve del refrigerador

El refrigerador y los componentes provistos pueden diferir de las ilustraciones en este manual según el modelo y el país.

### Tipo A



## Tipo B



**01** Fábrica de hielo automática

**02** Estante plegable de 1 posición

**03** Tanque de agua (Llenado automático de agua)

**04** Panel principal (en el asa de FlexZone™)

**05** FlexZone™

**06** Congelador

**07** Compartimientos de las puertas

**08** Estante plegable de 2 posiciones

**09** Filtro de agua

\* solo para los modelos correspondientes

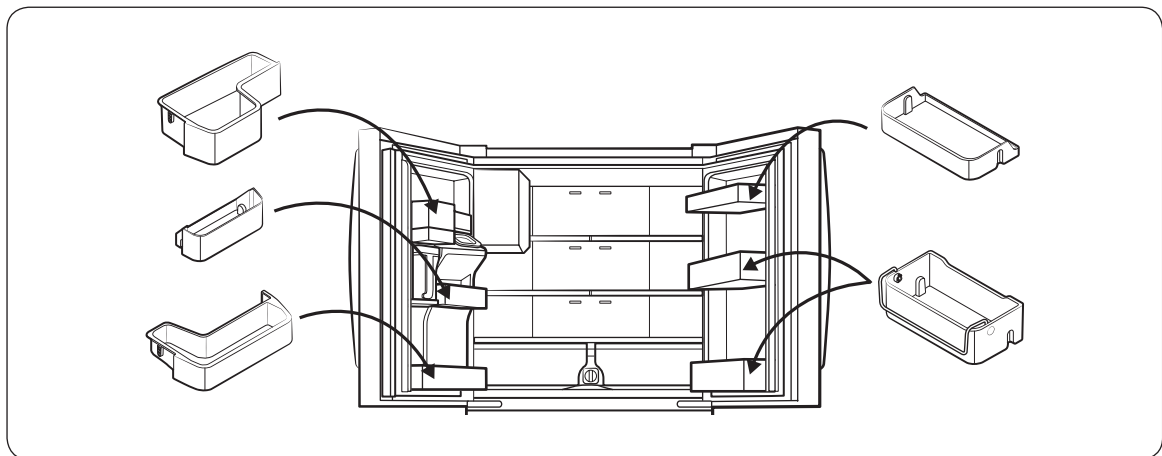
# Instalación

## NOTA

- Para una mayor eficiencia energética, asegúrese de que todos los estantes, cajones y canastos estén en su posición original.
- Al cerrar la puerta, asegúrese de que la sección de la bisagra vertical se encuentre en la posición correcta para impedir que se raye con la otra puerta.
- Si la sección de la bisagra vertical está invertida, colóquela en la posición correcta y cierre la puerta.
- Algunas veces puede aparecer humedad en esta sección de la bisagra vertical.
- Si cierra una puerta por la fuerza, la otra puerta puede abrirse.
- Cuando se abre una puerta, el disyuntor desactiva automáticamente el motor sinfín de la fábrica de hielo por razones de seguridad.
- Si la lámpara LED interna o externa no funcionan, comuníquese con un centro de servicio Samsung.
- Si la puerta quedara abierta demasiado tiempo, el LED interno superior titilará. Esto es normal.

## Compartimientos de las puertas

Su refrigerador se despacha con compartimientos de las puertas de distintos tipos y tamaños. Si los compartimientos de las puertas de su refrigerador se embalaron por separado, utilice la siguiente figura como guía para colocar los compartimientos correctamente.



## Instalación paso a paso

### PASO 1 Seleccione un lugar

Seleccione un lugar que:

- Tenga una superficie sólida, nivelada sin alfombrado ni pisos que puedan obstruir la ventilación
- Esté alejado de la luz solar directa
- Cuenten con el lugar adecuado para abrir y cerrar la puerta
- Esté alejado de las fuentes de calor
- Cuenten con lugar para realizar mantenimiento y reparaciones
- Cuenten con un rango de temperatura de entre 50 °F (10 °C) y 109 °F (43 °C)

### ⚠ PRECAUCIÓN

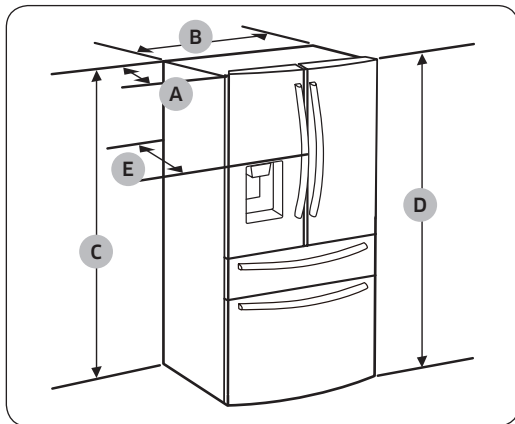
- Si su refrigerador cuenta con una fábrica de hielo, asegúrese de dejar un espacio adicional en la parte posterior del refrigerador para la conexión de la tubería de agua.
- Al instalar el refrigerador junto a una pared fija debe garantizar un espacio libre de al menos 3 3/4" (95 mm) de la pared a fin de permitir la apertura de la puerta.

### 📄 NOTA

Para facilitar el desplazamiento del refrigerador hasta su ubicación final, asegúrese de medir el ancho y el alto de las entradas, los umbrales, los techos, las escaleras, y todo lo que deba considerarse para garantizar que el refrigerador pueda trasladarse de manera segura. El siguiente diagrama ilustra la altura y la profundidad exactas de su refrigerador (especificaciones de fábrica).

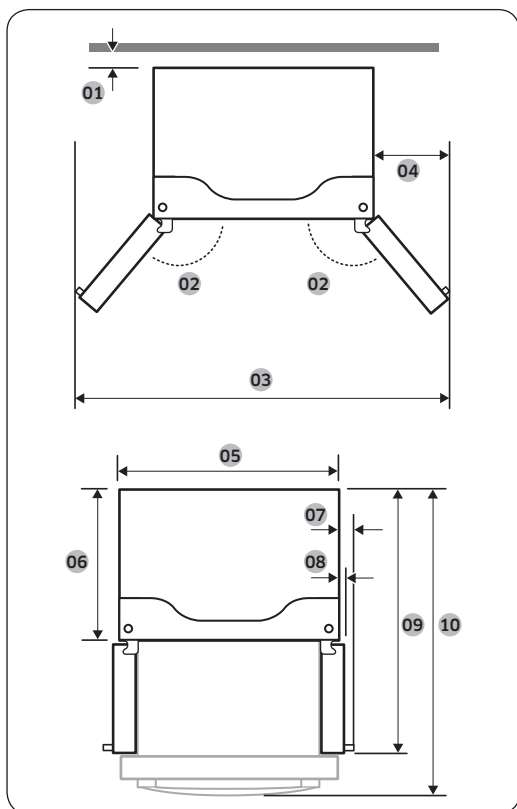
#### Espacio libre

Consulte las ilustraciones y la tabla que aparece a continuación para conocer los requisitos de espacio para la instalación.



Modelo	RF22* / RF24*
Profundidad "A"	28 5/8" (726 mm)
Ancho "B"	35 6/8" (908 mm)
Altura "C"	68 7/8" (1749 mm)
Altura total "D"	70" (1777 mm)
Profundidad "E"	31" (788 mm)

# Instalación



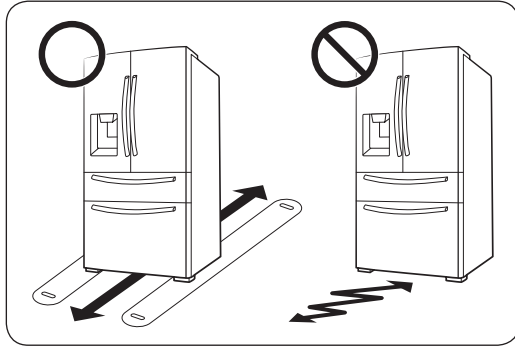
Modelo	RF22* / RF24*
01	2" (50 mm)
02	125°
03	62 1/8" (1578 mm)
04	13 2/8" (335 mm)
05	35 6/8" (908 mm)
06	24" (610 mm)
07	4 6/8" (122 mm)
08	2 3/8" (61 mm)
09	42 6/8" (1088 mm)
10	44 1/4" (1125 mm)

## NOTA

Las medidas de la tabla anterior pueden variar ligeramente de las medidas reales según el método de medición y redondeo.

## PASO 2 Piso

Si el refrigerador no pasa por la puerta por su tamaño, consulte PASO 3 Extracción de la puerta para la entrada.



### NOTA

Para evitar que se dañe el piso, asegúrese de que las patas de nivelación delanteras estén en posición vertical.

- La superficie sobre la que se instalará el refrigerador debe soportar un refrigerador completamente cargado.
- A fin de proteger el piso, coloque un trozo de cartón por el recorrido del refrigerador hasta su ubicación final.
- Una vez que el refrigerador esté en su posición final, no lo mueva a menos que sea necesario a fin de proteger el piso. Si debe hacerlo, utilice un papel grueso o tela, como una alfombra vieja, en el recorrido por el que se lo desplazará.



# Instalación

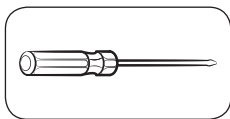
## PASO 3 Extracción de la puerta para la entrada

Si el refrigerador no pasa por la entrada de su casa o de la cocina por una cuestión de tamaño, siga estas instrucciones para extraer y colocar nuevamente las puertas del refrigerador. Si no necesita retirar las puertas, vaya a la página 31 para continuar con el procedimiento de instalación.

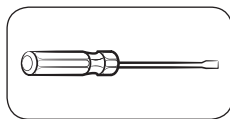
### **ADVERTENCIA**

Desenchufe el cable de alimentación del refrigerador antes de retirar las puertas.

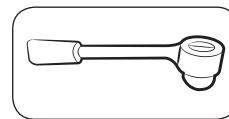
Herramientas necesarias (no provistas)



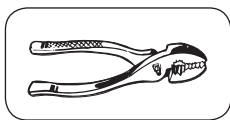
Destornillador Phillips



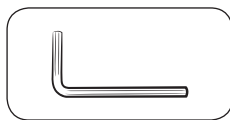
Destornillador plano



Llave de tubo  $\frac{3}{8}$ " (10 mm)



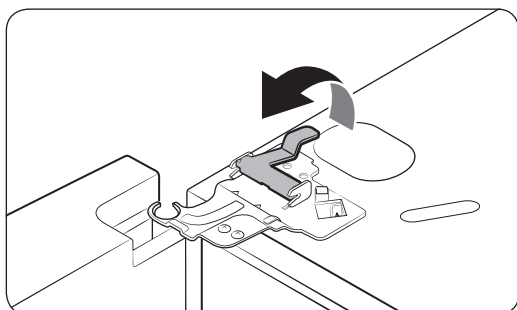
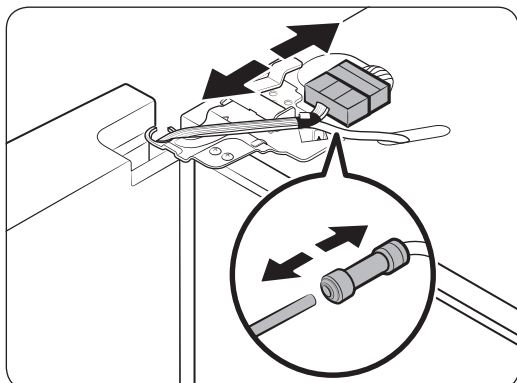
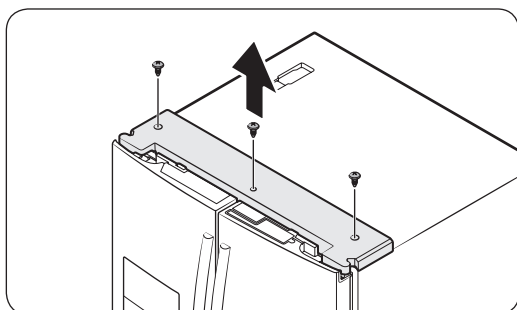
Pinzas



Llave de Allen  $\frac{1}{4}$ " (5 mm)

## Retire las puertas del refrigerador

### Puerta izquierda



1. Con las puertas cerradas, utilice un destornillador de cabeza Phillips para extraer los tornillos (x3) de la cubierta superior.

2. Desconecte los cables y el tubo de agua de la puerta izquierda. Haga lo siguiente en orden:

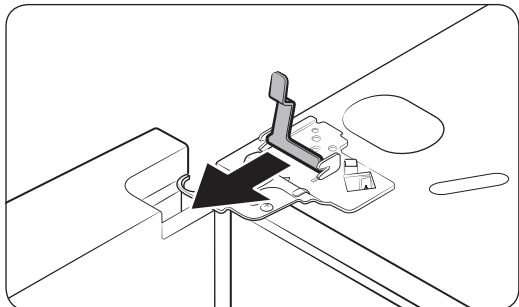
- Desconecte el **conector**.
- Sosteniendo un extremo del acoplador de la tubería de agua, desconecte el **tubo de agua**.

### **⚠ PRECAUCIÓN**

Mantenga las grapas del tubo de agua fuera del alcance de los niños.

3. Levante suavemente la abrazadera en varios pasos. A fin de evitar lesiones en los dedos, no aplique fuerza repentinamente sobre la abrazadera.

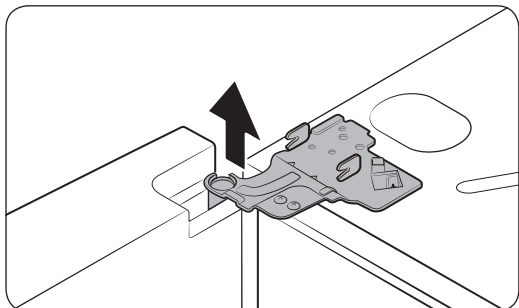
# Instalación



4. Jale la abrazadera hacia arriba para retirarla.

 **NOTA**

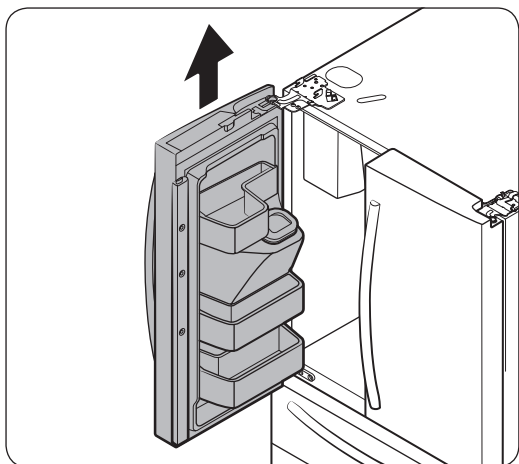
Tenga cuidado de no dejar caer la abrazadera.



5. Abra la puerta a 90 grados. Mientras sostiene la puerta, levante y retire la bisagra superior. Tenga cuidado de no dañar los cables de los conectores al retirar la bisagra.

 **NOTA**

Tenga cuidado de no dejar caer la bisagra.

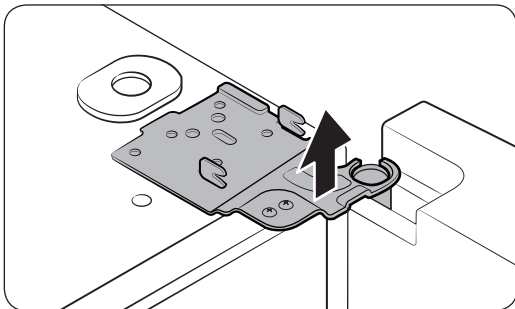
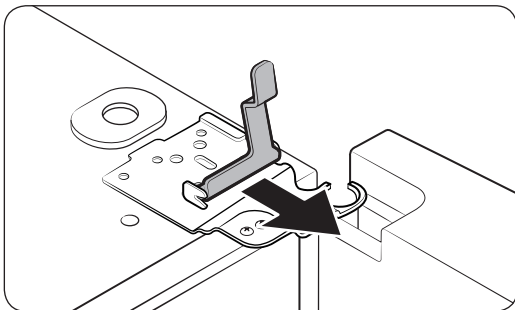
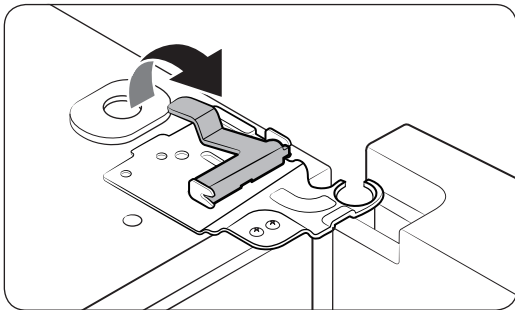
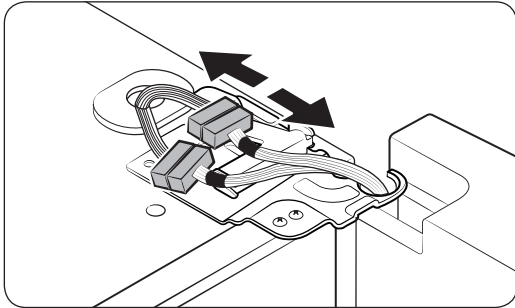


6. Suavemente levante la puerta en sentido vertical para retirarla. No use fuerza excesiva. La puerta puede caerse y provocarle lesiones.
7. Coloque la puerta en una superficie plana.

 **PRECAUCIÓN**

Coloque la puerta lentamente para evitar rayones.

## Puerta derecha



1. Desconecte los conectores de cables (x2) de la puerta derecha. La posición de los conectores varía entre modelos.

### ⚠ PRECAUCIÓN

- No retire ambas puertas simultáneamente. Asegúrese de retirar una puerta por vez. De lo contrario, una de las puertas podría caerse y provocar lesiones.
  - Asegúrese de que el refrigerador esté apagado antes de desconectar los conectores.
2. Levante suavemente la abrazadera en varios pasos. A fin de evitar lesiones en los dedos, no aplique fuerza repentinamente sobre la abrazadera.

3. Jale la abrazadera hacia arriba para retirarla.

### 📄 NOTA

Tenga cuidado de no dejar caer la abrazadera.

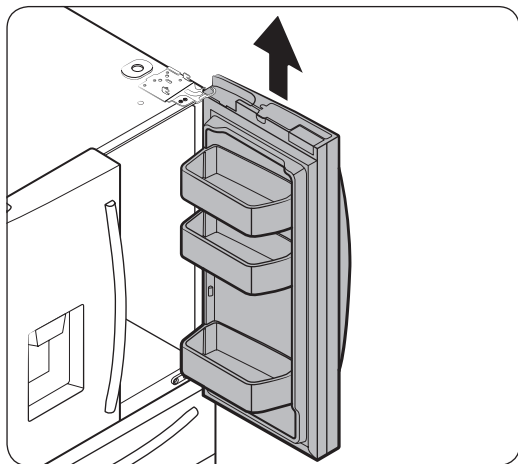
4. Abra la puerta a 90 grados. Mientras sostiene la puerta, levante y retire la bisagra superior. Tenga cuidado de no dañar los cables de los conectores al retirar la bisagra.

### 📄 NOTA

Tenga cuidado de no dejar caer la bisagra.

# Instalación

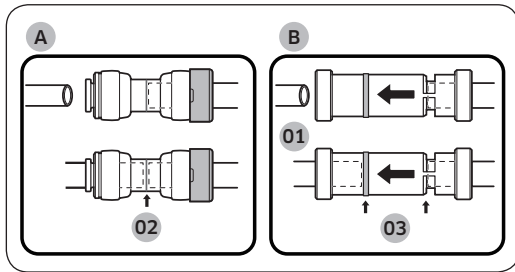
---



5. Suavemente levante la puerta en sentido vertical para retirarla. No use fuerza excesiva. La puerta puede caerse y provocar lesiones.
6. Coloque la puerta en una superficie plana.

### Para colocar nuevamente la puerta del refrigerador

Una vez que haya instalado el refrigerador en su ubicación final, vuelva a colocar las puertas siguiendo las instrucciones para retirar las puertas en orden inverso.

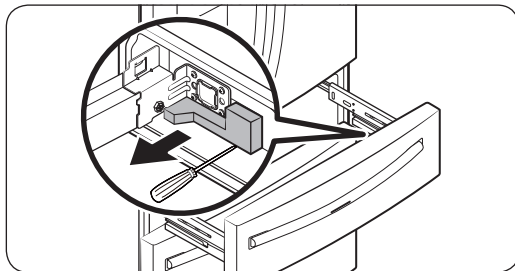
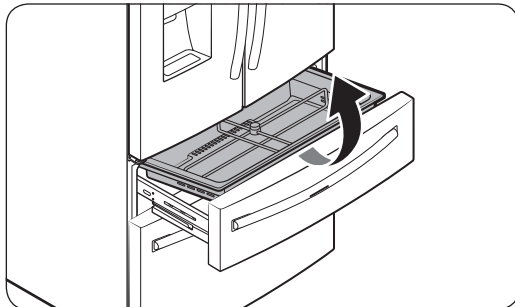


01 Dispensador

02 Centro del acoplador transparente

03 Marcas de guía

### Retire el cajón FlexZone™



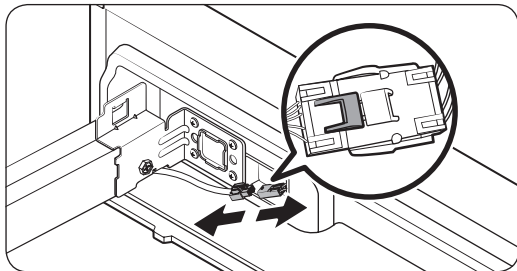
### ⚠ PRECAUCIÓN

Para evitar fugas de agua del dispensador, la tubería de agua debe estar completamente conectada. Asegúrese de que ambos tubos de la tubería de agua estén insertados completamente en el centro del acoplador transparente (A) o las marcas de guía (B).

1. Levante la cesta FlexZone™ para retirarla.

2. Retire la cubierta del cable junto con el arnés del conector con un destornillador plano.

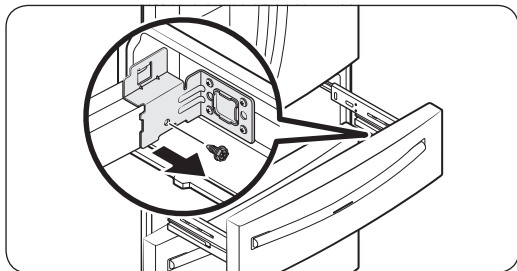
# Instalación



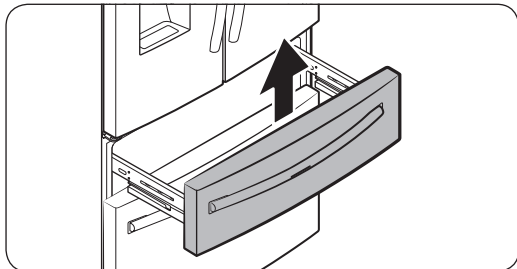
3. Presione la **pestaña de bloqueo** y desenchufe el conector del cable.

## ⚠ PRECAUCIÓN

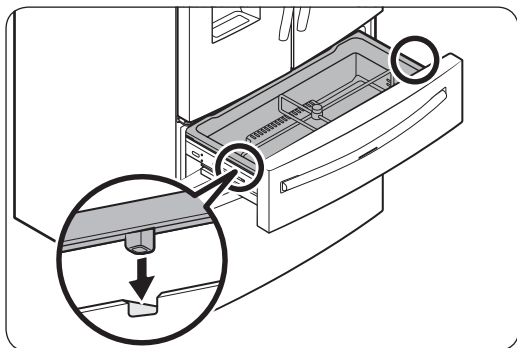
Quando vuelva a bloquear la pestaña, asegúrese de conectar completamente el conector del cable. De lo contrario, la FlexZone™ no funcionará.



4. Retire el perno de cabeza hexagonal de cada lado del cajón con una llave de tubo de 10 mm.



5. Levante el **frente del cajón de FlexZone™** para retirarlo del conjunto de riel.



## ⚠ PRECAUCIÓN

- Tenga cuidado al retirar el conjunto de riel, ya que podría caerse y dañar el piso.
- Asegúrese de colocar el cajón FlexZone™ en su lugar antes de retirar o instalar la cesta FlexZone™. Es posible que el cajón FlexZone™ no se abra o cierre correctamente si el cajón del congelador no está colocado.
- No almacene demasiados alimentos en el cajón FlexZone™. Esto hará que el cajón FlexZone™ no se cierre correctamente y se acumule escarcha.

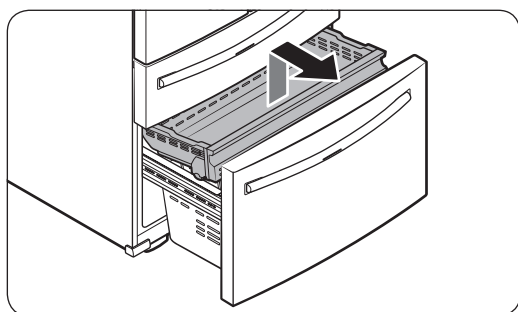
Para colocar nuevamente el cajón FlexZone™

Una vez que haya instalado el refrigerador en su ubicación final, vuelva a colocar el cajón FlexZone™ siguiendo las instrucciones anteriores en orden inverso.

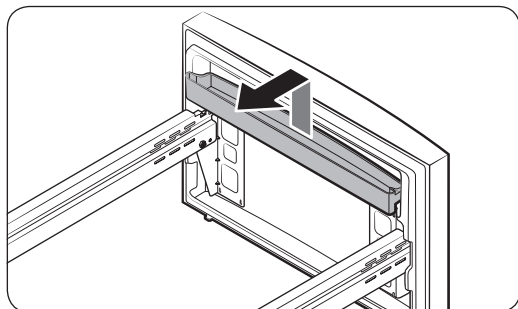
### PRECAUCIÓN

Si el cajón FlexZone™ o el indicador no funcionan adecuadamente, asegúrese de que los conectores estén bien conectados.

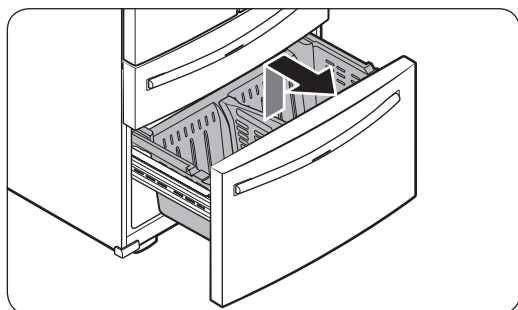
Para retirar el cajón del congelador



1. Empuje la **cesta superior** hasta el final y luego levántela para quitarla.



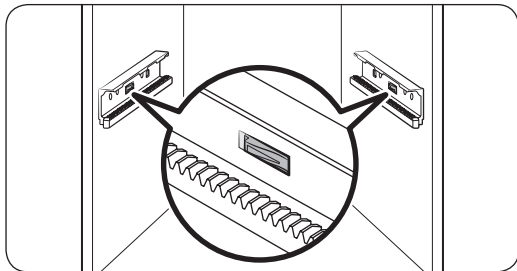
2. Levante el **compartimento de la puerta** para retirarlo.



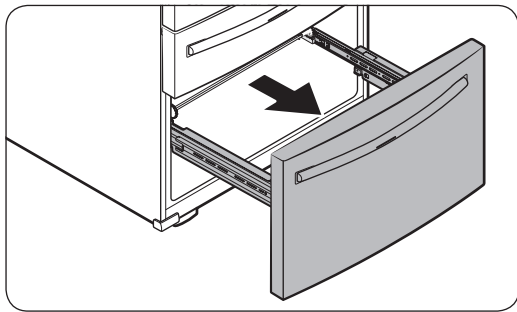
3. Luego levante la **cesta inferior** para retirarla del conjunto de riel.



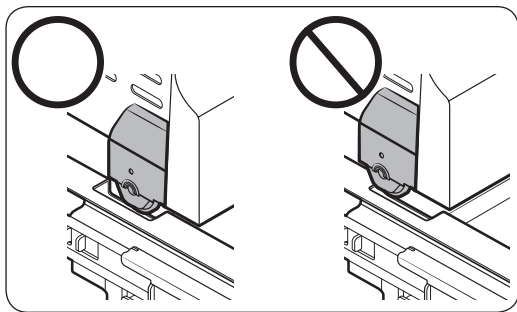
# Instalación



4. Presione los ganchos para desbloquear el conjunto de riel.



5. Mientras sostiene la parte superior del frente del cajón del congelador, deslícelo hacia afuera para retirar el cajón del congelador del conjunto de riel.



## ⚠ PRECAUCIÓN

- Tenga cuidado de no rayar ni abollar el conjunto de riel.
- Asegúrese de instalar las cestas del congelador en la posición correcta. De lo contrario, la puerta no podrá abrirse ni cerrarse correctamente, lo que provocará la acumulación de escarcha.
- No almacene demasiados alimentos en el cajón del congelador. Esto hará que el cajón del congelador no se cierre correctamente y se acumule escarcha.

### Para colocar nuevamente el cajón del congelador

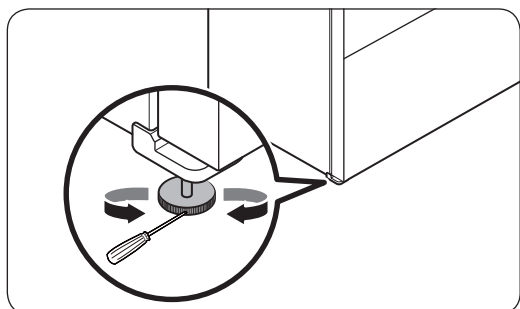
Una vez que el refrigerador esté instalado en su ubicación final, vuelva a colocar el cajón del congelador siguiendo las indicaciones anteriores en el orden inverso.

## PASO 4 Nivelación del refrigerador

### ⚠ PRECAUCIÓN

- Una vez instalado, el refrigerador debe estar nivelado sobre un piso plano y sólido. No nivelar el refrigerador puede provocar daños al refrigerador o lesiones personales.
- La nivelación debe realizarse con el refrigerador vacío. Asegúrese de que no haya alimentos dentro del refrigerador.
- Por razones de seguridad, ajuste la parte delantera un poco más elevada que la parte trasera.

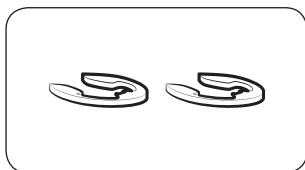
Nivele el refrigerador usando los tornillos especiales (niveladores) en las patas delanteras. Use un destornillador plano para girar los niveladores.



- Para ajustar la altura del lado izquierdo: Inserte un destornillador plano en el nivelador de la pata delantera del lado izquierdo. Gire el nivelador en el sentido de las agujas del reloj para elevar el lado izquierdo o en el sentido contrario para bajarlo.
- Para ajustar la altura del lado derecho: Inserte un destornillador plano en el nivelador de la pata delantera del lado derecho. Gire el nivelador en el sentido de las agujas del reloj para elevar el lado derecho o en el sentido contrario para bajarlo.

# Instalación

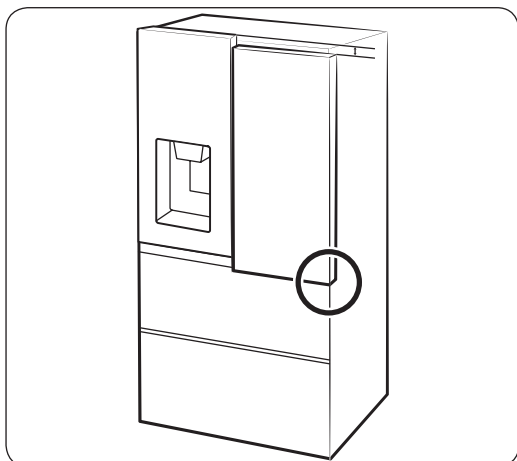
## PASO 5 Ajuste de la altura de la puerta y del espacio de la puerta



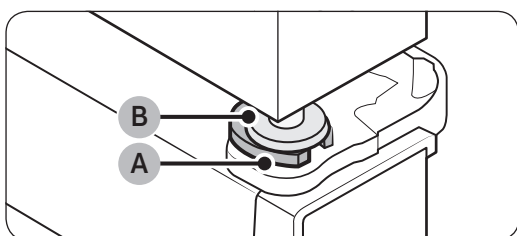
### Anillos elásticos

Es posible ajustar la altura de la puerta mediante los anillos elásticos provistos que vienen en 4 tamaños diferentes (1 mm, 1.5 mm, 2 mm y 2.5 mm).

Para ajustar la altura de una puerta



1. Controle la diferencia de altura entre las puertas y luego eleve y sostenga la puerta más baja.

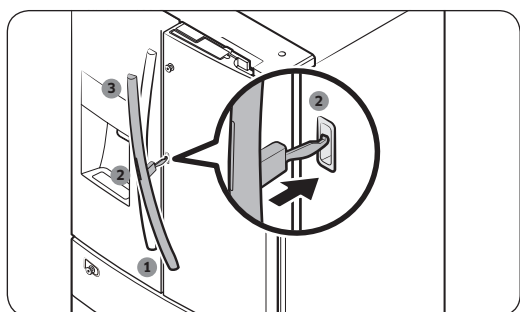
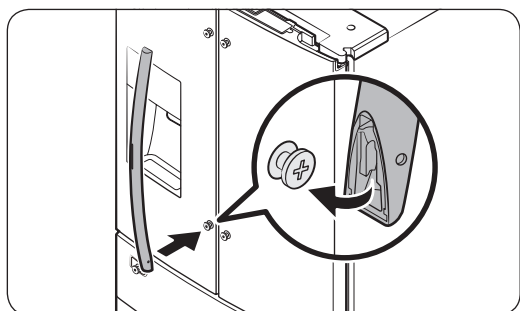
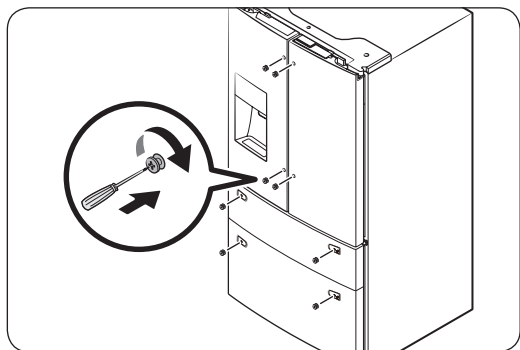
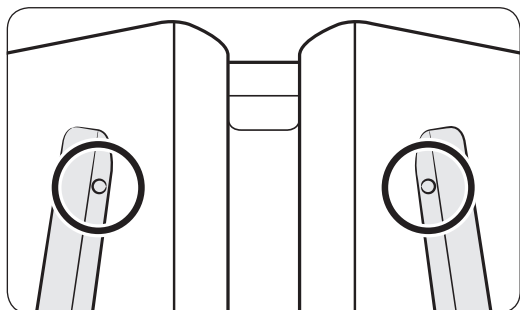


2. Inserte un **anillo elástico (A)** del tamaño adecuado entre el **anillo de caucho (B)** de la puerta y la bisagra como se ilustra.

### PRECAUCIÓN

- Inserte solo un anillo elástico. Colocar dos o más anillos elásticos puede hacer que se deslicen o hagan ruido por el rozamiento.
- Mantenga los anillos elásticos fuera del alcance de los niños y consérvelos para uso futuro.
- No eleve la puerta en demasía. La puerta puede entrar en contacto y dañar la cubierta superior.

## PASO 6 Instalación de las manijas



### ⚠ PRECAUCIÓN

Las manijas del refrigerador deben estar orientadas en la dirección correcta.

- Las manijas del refrigerador deben instalarse de manera tal que los orificios queden enfrentados.
- La manija del congelador debe instalarse de manera tal que su orificio quede orientado hacia abajo.

1. Con un destornillador Phillips fije los tornillos de las manijas al refrigerador, dos para cada una respectivamente, como se muestra en la ilustración de la izquierda.

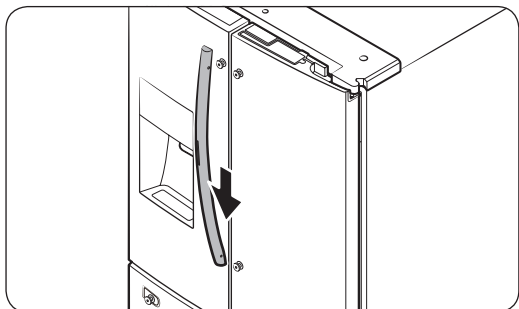
2. Para fijar las manijas del refrigerador en el refrigerador, primero coloque la parte inferior de una manija sobre el tornillo inferior de la manija.

**Para manija tipo B:** Coloque la manija en este orden: (1) inferior, (2) centro, (3) superior. Consulte la figura a la izquierda.

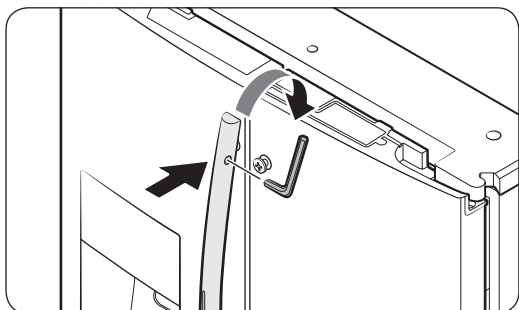
### 📄 NOTA

El diseño de la manija de la puerta del lado derecho puede variar según el modelo.

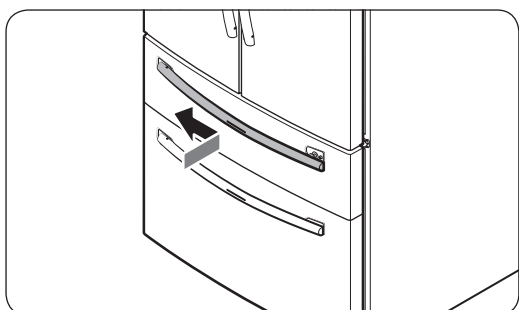
# Instalación



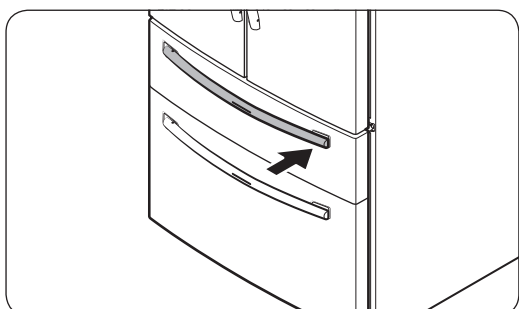
3. Empuje la manija hacia abajo y luego coloque la parte superior de la manija sobre el tornillo superior de la manija.



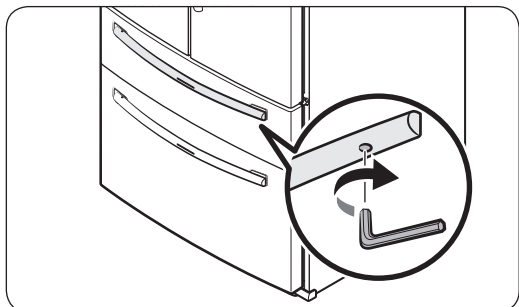
4. Inserte la llave provista en el orificio de la manija y gírela en el sentido de las agujas del reloj para ajustarla.
5. Repita los pasos 2 a 4 con la manija de la segunda puerta del refrigerador.



6. Para fijar la manija del congelador en el refrigerador, primero coloque la parte izquierda de la manija del congelador sobre el tornillo izquierdo de la manija.



7. Empuje la manija hacia la izquierda y luego coloque la parte derecha de la manija de congelador sobre el tornillo derecho de la manija.



8. Inserte la llave provista en el orificio de la manija y gírela en el sentido de las agujas del reloj para ajustarla.

# Instalación

## PASO 7 Conectar la tubería del dispensador de agua

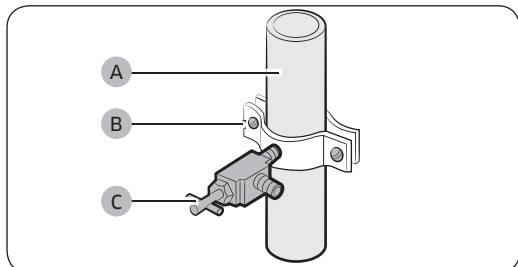
El dispensador de agua con filtro es una de las funciones útiles de su nuevo refrigerador. Con el fin de promover la buena salud, el filtro de agua elimina las partículas no deseadas del agua. No obstante, no la esteriliza ni destruye los microorganismos. Para eso, necesita adquirir un sistema de purificación de agua. La tubería del agua también se conecta a la fábrica de hielo. Para que la fábrica de hielo funcione correctamente, se necesita una presión de agua de 20-125 psi.

Si el refrigerador se instala en una zona con baja presión de agua (inferior a los 20 psi), puede instalar una bomba cebadora para compensar la baja presión.

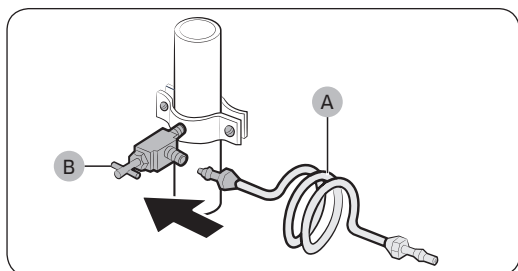
Una vez conectada la tubería de agua, asegúrese de que el tanque de almacenamiento de agua dentro del refrigerador esté lleno. Para hacerlo, presione la palanca del dispensador de agua hasta que salga el agua por la salida.

### NOTA

- Su distribuidor podrá ofrecerle los equipos de instalación de tuberías de agua disponibles a un costo adicional. Recomendamos utilizar un equipo de instalación de tubería de agua que contenga tubería de cobre y una tuerca de compresión  $\frac{1}{4}$ " (6 mm).



1. Cierre el suministro de agua principal.
2. Inserte la abrazadera (B) y la válvula de cierre (C) en la tubería de agua fría (A).

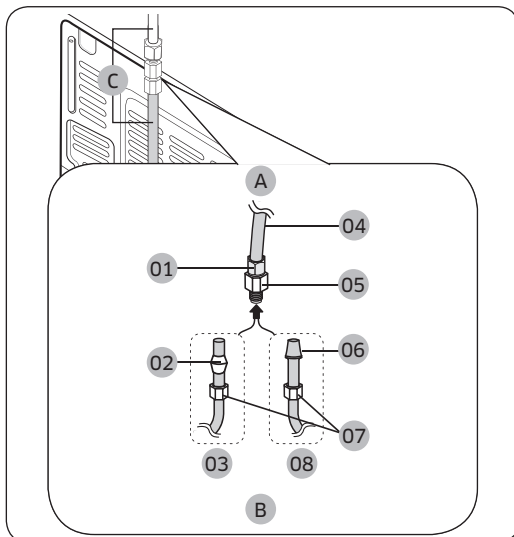


3. Conecte el equipo de instalación de la tubería de agua (A) a la válvula de cierre (B).

## Conecte la tubería de suministro de agua al refrigerador

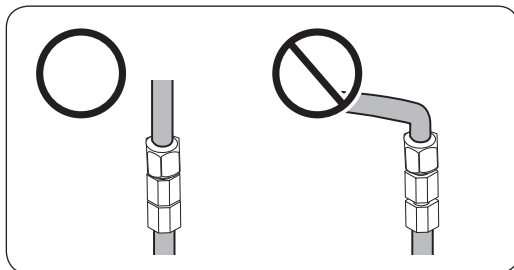
Para llevar a cabo la conexión, necesita adquirir varios elementos. Posiblemente su ferretería local los venda todos juntos en un equipo.

Tubería de cobre	<ul style="list-style-type: none"><li>• 1/4" tubería de cobre</li><li>• 1/4" tuerca de compresión (1)</li><li>• Fécula (2)</li></ul>
Tubería de plástico	<ul style="list-style-type: none"><li>• 1/4" tubería de plástico → Extremo moldeado (bulbo)</li><li>• 1/4" tuerca de compresión (1)</li></ul>



- A. Refrigerador
- B. Tubería de suministro del agua corriente
- C. Tubería de agua: debe mantenerse recta.

- 01 Tuerca de compresión (1/4") (Ensamblada)
- 02 Fécula (No provista)
- 03 Tubería de cobre (no provista)
- 04 Tubería de plástico (ensamblada)
- 05 Acople de compresión (ensamblado)
- 06 Extremo moldeado (bulbo)
- 07 Tuerca de compresión (B) (1/4") (no provista)
- 08 Tubería de plástico (A) (no provista)

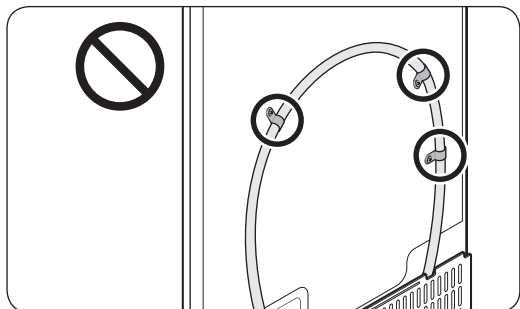


### NOTA

Si debe reubicar el refrigerador después de conectar la **tubería de agua (C)**, asegúrese de que la sección de la unión de la tubería se mantenga recta.



# Instalación



## ⚠ PRECAUCIÓN

No instale el filtro de agua en ninguna parte del refrigerador. Esto podría dañar el refrigerador.

1. Conecte la tubería de agua corriente al acople de compresión ensamblado.
  - Si utiliza una tubería de cobre, deslice la **tuerca de compresión (B)** (no provista) y la **férula** (no provista) por la tubería de cobre (no provista) como se muestra en el gráfico.
  - Si utiliza una **tubería de plástico (A)**, inserte el extremo moldeado (bulbo) de la **tubería de plástico (A)** en el acople de compresión.

## ⚠ PRECAUCIÓN

- Si utiliza una **tubería plástica (A)**, no la use sin el extremo moldeado (Lámpara).
  - Dejar la tubería de agua desconectada puede causar que con el tiempo la válvula de agua emita un zumbido. En este caso, asegúrese de desactivar la fábrica de hielo colocándola en "OFF" y no intente usar el dispensador de agua.
2. Ajuste la **tuerca de compresión (B)** sobre el **acople de compresión**. No ajuste demasiado la **tuerca de compresión (B)**.
  3. Abra el agua y verifique si hay alguna fuga. Si encuentra gotas o fugas de agua en las zonas de las conexiones, cierre el suministro de agua principal. Revise las conexiones y, de ser necesario, ajústelas.
  4. Haga correr 1 galón de agua a través del filtro antes de beber o de utilizar el agua del refrigerador. (El agua debe correr unos 6 minutos.) Para hacer correr el agua, presione la palanca del dispensador de agua con un vaso o una taza grandes. Llene el vaso, vacíelo y luego repita la operación.
  5. Tras poner en funcionamiento el refrigerador, deje que la fábrica de hielo haga hielo durante 1 o 2 días. Pasado este tiempo, deseche las primeras 1 o 2 cubetas de hielo para asegurarse de que se hayan eliminado todas las impurezas de la tubería de agua.

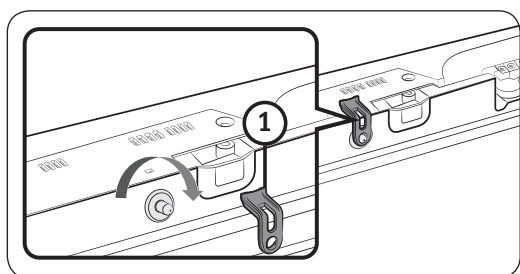
## 📄 NOTA

Conecte solamente la tubería de agua a una fuente de agua potable.

- Si debe reparar o desarmar la tubería de agua, corte  $\frac{1}{4}$ " de la tubería plástica para asegurarse de tener una conexión perfecta y sin pérdidas.
- Puede probar rápidamente la tubería del agua con un vaso de papel. En condiciones normales, el despachador de agua puede llenar un vaso de  $5 \frac{3}{4}$  oz. (170 cc) en aproximadamente 10 segundos.

## PASO 8 Configuración inicial

Al completar los siguientes pasos, el refrigerador quedará en perfectas condiciones de funcionamiento.



### ⚠ PRECAUCIÓN

Antes de instalar el refrigerador, asegúrese de retirar la cubierta protectora (1) de la parte superior de la puerta del refrigerador. De lo contrario, podrían producirse lesiones con la cuchilla trituradora de hielo.

1. Enchufe el cable de alimentación al tomacorriente para encender el refrigerador.
2. Abra la puerta y verifique que la luz interna se encienda.
3. Coloque la temperatura en el valor más frío y espere una hora. Luego, el congelador comenzará a enfriarse y el motor funcionará adecuadamente.
4. Espere a que el refrigerador llegue a la temperatura configurada. Ahora el refrigerador estará listo para usar.

## PASO 9 Verificación final

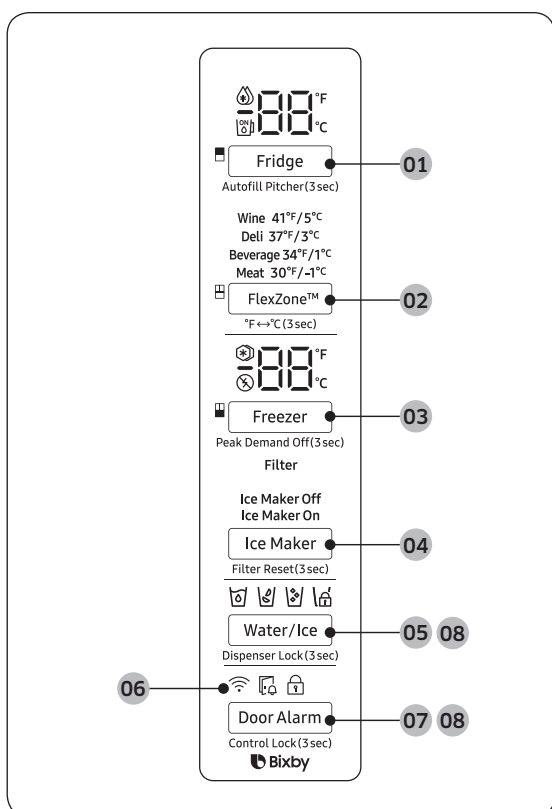
Una vez finalizada la instalación, confirme que:

- El refrigerador esté enchufado al tomacorriente y correctamente conectado a tierra.
- El refrigerador esté instalado sobre una superficie plana y nivelada con un espacio libre razonable con respecto a paredes y gabinetes.
- El refrigerador esté nivelado y apoyado firmemente en el piso.
- La puerta se abre y cierra libremente y la luz interior se enciende automáticamente al abrir la puerta.

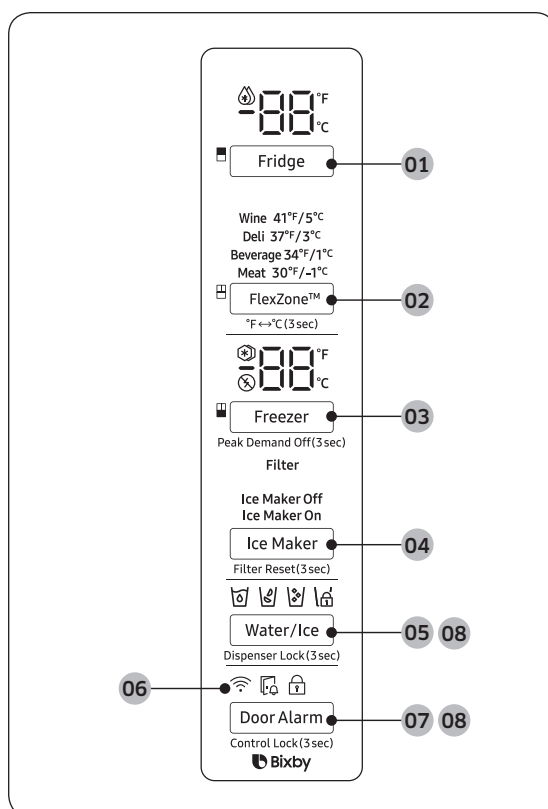
# Funcionamiento

## Panel principal

Tipo A



Tipo B



**01** Fridge (Refrigerador) /  
Auto Fill Water Pitcher (Llenado automático de la jarra de agua) \*

**03** Freezer (Congelador) /  
Peak Demand Off (Pico de demanda desactivado)

**05** Water/Ice (Agua/Hielo) /  
Dispenser Lock (Bloqueo del dispensador)

**07** Door Alarm (Alarma de la puerta) /  
Control Lock (Bloqueo del control)

**02** FlexZone™ / °F ↔ °C

**04** Ice Maker (Fabricación de hielo) /  
Filter Reset (Restablecer filtro)

**06** Conexión de red

**08** Modo Shabat

\* solo para los modelos correspondientes

---

## NOTA


- Cuando cambia la temperatura del panel, este muestra la temperatura actual dentro del refrigerador hasta que se alcanza la temperatura que ha configurado. Luego el panel muestra la nueva temperatura configurada. Tenga en cuenta que el refrigerador necesita un tiempo para alcanzar la nueva temperatura. Esto es normal. Durante este tiempo, no es necesario restablecer la temperatura.
- A fin de garantizar un desempeño óptimo, recomendamos configurar la temperatura entre 0 °F (-18 °C) para el congelador y 37 °F (3 °C) para el refrigerador.
- La temperatura del refrigerador puede aumentar si abre la puerta con frecuencia o si se coloca una gran cantidad de alimentos dentro de este. Si esto ocurriera, el visor de temperatura parpadeará hasta que el refrigerador regrese al ajuste de temperatura especificado.
- Si se produce un error de comunicación entre el visor de temperatura y el regulador principal, es posible que el parpadeo continúe durante un período prolongado. Comuníquese con un centro de servicios Samsung local para recibir asistencia técnica.
- El visor del panel principal solo se enciende si la puerta está abierta, y se apaga cuando la puerta se cierra.
- Si activa el Control Lock (Bloqueo del control) en el panel principal, este se bloquea automáticamente después de 1 minuto de inactividad.
- Bixby es una plataforma de inteligencia de Samsung que le permite controlar el producto con su voz. Para usar la función de comando de voz, debe conectar el producto con la aplicación SmartThings en su teléfono. Con los productos que no reconocen la voz directamente desde el producto, puede usar Bixby en su teléfono inteligente para controlar algunas de las funciones del producto luego de conectar la aplicación.

# Funcionamiento

## 01 Refrigerador / Llenado automático de la jarra de agua (3 seg)

Fridge (Refrigerador)

Puede usar el botón **Fridge (Refrigerador)** para configurar la temperatura del refrigerador o activar Refrigeración rápida.

- Presione **Fridge (Refrigerador)** varias veces para seleccionar una temperatura deseada entre 34 °F (1 °C) y 44 °F (7 °C).
  - El indicador de temperatura le muestra la temperatura configurada o seleccionada actualmente.
- Para activar Refrigeración rápida, presiones **Fridge (Refrigerador)** repetidamente hasta que se encienda el indicador Refrigeración rápida 
  - Para desactivar Refrigeración rápida, simplemente presione **Fridge (Refrigerador)** nuevamente con la función Refrigeración rápida activada.
  - Refrigeración rápida acelera el proceso de enfriamiento a máxima potencia para bajar la temperatura del refrigerador. El proceso de enfriamiento dura varias horas y, luego, el refrigerador vuelve a la temperatura predeterminada.
  - Utilice Refrigeración rápida para enfriar rápidamente alimentos que se echan a perder rápidamente o para enfriar rápidamente el refrigerador después de haber permanecido abierto por un tiempo.

### **NOTA**

Utilizar Refrigeración rápida aumenta el consumo energético. Asegúrese de desactivar dicha función si ya no la necesita y deje que el refrigerador vuelva a su temperatura anterior.

**Auto Fill Water Pitcher  
(Llenado automático de  
la jarra de agua)**

Mantenga presionado **Fridge (Refrigerador)** presionado durante 3 segundos para activar la función. Abra la puerta izquierda del refrigerador y luego inserte el tanque de agua. Cierre la puerta, y poco después el tanque de agua comenzará a llenarse de agua hasta el nivel configurado.

Para desactivar la función, vuelva a mantener **Fridge (Refrigerador)** presionado durante 3 segundos.

 **NOTA**

- De manera predeterminada, Llenado automático de la jarra de agua está desactivado. Active esta función luego de haber instalado la tubería de agua.
- Si abre la puerta o empuja la palanca del dispensador, esta función se detiene temporalmente.
- En caso de fuga, los indicadores de Llenado automático de la jarra de agua titilan. Esto puede suceder si el tanque de agua desborda o el sensor del nivel de agua o tubería de agua falla. En ese caso, siga estos pasos.
  - a. Abra la tapa de goma y drene el agua.
  - b. Al finalizar el drenaje, los indicadores dejan de parpadear y quedan fijos.
  - c. Cierre la tapa de goma.
- Si los indicadores siguen parpadeando, es posible que se trate de una falla del sistema. Comuníquese con un centro de servicio local.

# Funcionamiento

## 02 FlexZone™ / °F ↔ °C (3 seg)

El FlexZone™ es un cajón de ancho completo con control de temperatura. Cuenta con un sensor de temperatura que regula la cantidad de aire frío permitido en este cajón.

- Presione **FlexZone™** para seleccionar el modo deseado. La opción predeterminada es **Deli (Charcutería)**.
- El refrigerador regula la temperatura en el FlexZone™ de acuerdo con el modo seleccionado.

Modo	Descripción	Ejemplos
Wine (Vino)	Seleccione Vino para mantener los alimentos frescos durante mucho tiempo. La temperatura del FlexZone™ se mantendrá alrededor de 41 °F (5 °C).	Vino, cócteles, pasteles, quesos
Deli (Charcutería)	Seleccione Charcutería para mantener los alimentos frescos durante mucho más tiempo. La temperatura del FlexZone™ se mantendrá alrededor de 37 °F (3 °C).	Piñas, limones, galletas, papas
Beverage (Bebida)	Seleccione Bebida para mantener las bebidas frías y para conservar su sabor. La temperatura del FlexZone™ se mantendrá alrededor de 34 °F (1 °C).	Agua embotellada, jugo, refrescos, cerveza
Meat (Carne)	Seleccione Carne para mantener la carne o el pescado fresco durante mucho más tiempo. La temperatura del FlexZone™ se mantendrá alrededor de 30 °F (-1 °C).	Bistecs, fiambres, tocino, perros calientes

### PRECAUCIÓN

- No utilice el FlexZone™ para almacenar casi ningún tipo de frutas o vegetales de hoja. Es posible que la temperatura fría dañe estos alimentos.
- No almacene botellas de vidrio en el FlexZone™ en modo Bebida o Carne. Estas pueden romperse y causar lesiones.

°F ↔ °C	También puede utilizar el botón FlexZone™ para modificar la escala de temperatura de Celsius a Fahrenheit. Para cambiar la escala de temperatura, mantenga presionado <b>FlexZone™</b> durante 3 segundos para modificar la escala de temperatura actual.
---------	--

### 03 Congelador / Pico de demanda desactivado (3 seg)

Freezer (Congelador)	<p>Puede usar el botón <b>Freezer (Congelador)</b> para configurar la temperatura del congelador o activar Congelación rápida.</p> <ul style="list-style-type: none"><li>• Presione <b>Freezer (Congelador)</b> varias veces para seleccionar una temperatura deseada entre 5 °F (-15 °C) y -8 °F (-23 °C).<ul style="list-style-type: none"><li>- El indicador de temperatura le muestra la temperatura configurada o seleccionada actualmente.</li></ul></li><li>• Para activar Congelación rápida, presiones <b>Freezer (Congelador)</b> repetidamente hasta que se encienda el indicador Congelación rápida (❄️).<ul style="list-style-type: none"><li>- Para desactivar Congelación rápida, simplemente presione <b>Freezer (Congelador)</b> nuevamente con la función Congelación rápida activada.</li><li>- Congelación rápida acelera el proceso de congelación a máxima potencia para bajar la temperatura del congelador. El proceso de congelación dura varias horas y, luego, el congelador vuelve a la temperatura predeterminada.</li><li>- Para congelar una gran cantidad de alimentos, active Congelación rápida como mínimo 20 horas antes de poner alimentos en el congelador.</li></ul></li></ul> <p><b>NOTA</b></p> <p>Utilizar Congelación rápida aumenta el consumo energético. Asegúrese de desactivar dicha función si ya no la necesita y deje que el refrigerador vuelva a su temperatura anterior.</p>
Peak Demand Off (Pico de demanda desactivado)	<p>La función Pico de demanda desactivado activa/desactiva Smart Grid.</p> <p>Presione <b>Freezer (Congelador)</b> durante 3 segundos para activar/borrar la función Pico de demanda desactivado.</p>




# Funcionamiento

## 04 Fabricación de hielo / Restablecer filtro (3 seg)

Ice Maker (Fabricación de hielo)	<p>Presione <b>Ice Maker (Fabricación de hielo)</b> para encender o apagar la fábrica de hielo.</p> <p>La fábrica de hielo tiene 2 indicadores (<b>Ice Maker On / Ice Maker Off</b>) para indicar el estado de operación.</p> <ul style="list-style-type: none"><li>• Cuando la fábrica de hielo está en funcionamiento, se enciende el indicador (<b>Ice Maker On</b>).</li><li>• Cuando la fábrica de hielo está apagada, se enciende el indicador correspondiente (<b>Ice Maker Off</b>). En este caso, la fabricación de hielo se desactiva incluso si presiona los botones <b>Cubed Ice (Hielo en cubos)</b> o <b>Crushed Ice (Hielo triturado)</b> en el panel del dispensador. Para activar la fabricación de hielo, primero deberá encender la fábrica de hielo.</li></ul> <p><b>NOTA</b></p> <p>Si la fábrica de hielo está apagada, se encenderá si mantiene presionada la <b>palanca de hielo</b> durante más de 5 segundos.</p>
Filter Reset (Restablecer filtro)	<p>Después de aproximadamente 6 meses (y por lo general, aproximadamente 300 galones [1200 L] de agua), el indicador de filtro parpadea en rojo durante varios segundos cuando abre la puerta para recordarle que debe cambiarlo. Cuando esto ocurre, reemplace el filtro y luego mantenga presionado <b>Filter Reset (Restablecer filtro)</b> por 3 segundos. La vida útil del filtro se restablecerá y el indicador de filtro se apaga.</p> <p><b>NOTA</b></p> <ul style="list-style-type: none"><li>• Algunas regiones cuentan con cantidades relativamente elevadas de cal en el agua. Esto puede reducir la vida útil del filtro. Es dichas áreas, deberá reemplazar el filtro de agua con mayor frecuencia que la especificada anteriormente.</li><li>• Si el agua no se dispensa adecuadamente, es probable que el filtro de agua esté obturado. Reemplace el filtro de agua.</li></ul>

## 05 Agua/Hielo / Bloqueo del dispensador (3 seg)

Water/Ice (Agua/Hielo)	Puede servir agua fría, hielo en cubos o triturado. Para servir, presione <b>Water/Ice (Agua/Hielo)</b> . Se enciende el indicador correspondiente.
Dispenser Lock (Bloqueo del dispensador) (Panel del dispensador/ Palanca del dispensador)	<p>Para impedir el uso de los botones del panel del dispensador y de la palanca del dispensador, mantenga presionado <b>Water/Ice (Agua/Hielo)</b> durante más de 3 segundos.</p> <p>Si mantiene presionado el botón durante más de 3 segundos nuevamente, el bloqueo del dispensador se desactivará.</p> <p> <b>NOTA</b></p> <p>El <b>Dispenser Lock (Bloqueo del dispensador)</b> en el panel del dispensador no afecta los controles del panel principal. Para bloquear el panel principal, utilice la función Bloqueo del control en el panel principal.</p>



## 06 Conexión de red

Puede controlar y supervisar su refrigerador mediante la aplicación SmartThings. Para obtener más información, consulte la sección **SmartThings**.

## 07 Alarma de la puerta/ Bloqueo de control (3 seg)

Door Alarm (Alarma de la puerta)	<p>Si la puerta queda abierta durante más de 2 minutos, se activará la alarma y el indicador de la alarma parpadeará. Puede activar y desactivar la alarma presionando <b>Door Alarm (Alarma de la puerta)</b>. La alarma está activada como valor de fábrica.</p> <p>Si la puerta quedara abierta durante 5 minutos, la luz interior (en el refrigerador, FlexZone™ o congelador) titilará durante 5 y se apagará. Esto ocurre para alertar a las personas con discapacidad auditiva y es normal.</p>
----------------------------------	--

# Funcionamiento

<b>Control Lock (Bloqueo del control)</b>	<p>A fin de evitar el cambio accidental de los valores, mantenga presionado <b>Door Alarm (Alarma de la puerta)</b> por 3 segundos. El panel principal se desactivará y el indicador Bloqueo (  ) se encenderá.</p> <p>Cuando Bloqueo del control está activado, el indicador parpadea si se presiona cualquier botón del panel principal.</p> <p>Si mantiene presionado el botón durante más de 3 segundos nuevamente, Bloqueo del control se desactivará.</p> <p>No obstante, si no se toca ningún botón durante un minuto, Bloqueo del control volverá a activarse.</p> <p> <b>NOTA</b></p> <p>El Bloqueo del control en el panel principal no afecta al dispensador. El dispensador funciona de manera independiente, al igual que la palanca del dispensador. Para bloquear el dispensador y la palanca del dispensador, utilice la función Bloqueo del dispensador.</p>
---	---

## 08 Modo Shabat

El modo Shabat permanece activo por 85 horas una vez activado. Luego, se desactiva automáticamente.

- Para activar, presione y mantenga presionado **Door Alarm (Alarma de la puerta)** y **Water/Ice (Agua/Hielo)** simultáneamente durante 5 segundos para ingresar al modo Shabat. Entonces, el refrigerador operará en modo Shabat, en cuyo caso los botones, el visor y las lámparas del ambiente quedarán bajo control.
- Para desactivar, mantenga presionados los botones nuevamente durante 5 segundos para salir del modo Shabat.

### **NOTA**

- Si el refrigerador se apaga y se reinicia (por ejemplo, cuando hay un corte de energía), el modo Shabat permanece activo. Para finalizar el modo Shabat, debe desactivarlo como se indicó con anterioridad.
- Los controles se deben desbloquear antes de activar el modo Shabat.

---

## 09 Enfriamiento desactivado

El modo Enfriamiento desactivado (también llamado modo Tienda) está diseñado para que lo usen los distribuidores cuando exhiben los refrigeradores en un comercio.

En el modo Enfriamiento desactivado, el motor del ventilador del refrigerador y las luces funcionan normalmente, pero los compresores no lo hacen, por lo tanto, el refrigerador y el congelador no se enfrían.

Para ingresar a Enfriamiento desactivado presione y mantenga presionados **Fridge (Refrigerador)** y **FlexZone™** durante 6 segundos. Luego, cuando titile la pantalla, presione **Door Alarm (Alarma de la puerta)**.

Cuando el modo Enfriamiento desactivado está activo, la alarma del refrigerador suena y el refrigerador muestra una **0** en el visor de temperatura del refrigerador y **FF** en el visor de temperatura del congelador.

# Funcionamiento

---

## SmartThings

---

### Instalación

Visite Google Play Store, Galaxy Apps o Apple App Store y busque “SmartThings”. Descargue e instale la aplicación SmartThings provista por Samsung Electronics en su dispositivo inteligente.

#### **NOTA**

- La aplicación SmartThings está diseñada para Android 6.0 (Marshmallow) o posterior, iOS 10.0 o posterior, iPhone 6 o posterior, y está optimizada para teléfonos inteligentes Samsung (series Galaxy S y Galaxy Note).
- Para obtener un desempeño mejorado, la aplicación SmartThings estará sujeta a cambios sin previo aviso o a la interrupción del soporte según la política del fabricante.
- Los sistemas de encriptación recomendados incluyen WPA/TKIP y WPA2/AES. No se admiten protocolos de autenticación Wi-Fi más nuevos o no estándar.
- Las redes inalámbricas pueden verse afectadas por los entornos de comunicación inalámbrica circundantes.
- Si su proveedor de servicios de Internet ha registrado la dirección MAC de su computadora o módem para identificación, su Samsung Smart Refrigerator puede dar error al conectarse a Internet. Si esto ocurre, comuníquese con su proveedor de servicios de Internet para recibir asistencia técnica.
- La configuración de firewall de su sistema de red puede impedir que su Samsung Smart Refrigerator acceda a Internet. Comuníquese con su proveedor de servicios de Internet para recibir asistencia técnica. Si el síntoma persiste, comuníquese con un centro de servicios Samsung local o el minorista.
- Para configurar el punto de acceso (PA) inalámbrico, consulte el manual de usuario del PA (enrutador).
- Los Samsung Smart Refrigerators son compatibles con Wi-Fi 2.4 GHz con los protocolos IEEE 802.11 b/g/n y Soft-AP. (Se recomienda IEEE 802.11 n.)
- Los enrutadores Wi-Fi no autorizados pueden no conectarse con los Samsung Smart Refrigerators correspondientes.



---

## Cuenta Samsung

Debe registrar su cuenta Samsung para utilizar la aplicación. Si no tiene una cuenta Samsung, siga las aplicaciones en pantalla de la aplicación para crear una cuenta Samsung.

### Cómo comenzar

Encienda el dispositivo que desea conectar, abra la aplicación SmartThings en su teléfono y siga las instrucciones que figuran a continuación.

Si aparece un mensaje emergente que indica que se encontró un nuevo dispositivo, toque **ADD NOW (AGREGAR AHORA)**.

Si no aparece el mensaje, toque el botón + y, en la lista de dispositivos disponibles, seleccione el dispositivo que desea conectar.

Si su dispositivo no se encuentra en la lista de dispositivos disponibles, toque **Supported Devices (Dispositivos admitidos)**, seleccione el tipo de dispositivo (Refrigerador) y luego el modelo del dispositivo específico.

Siga las instrucciones de la aplicación para configurar el dispositivo. Una vez completada la configuración, el refrigerador aparecerá como una "ficha" en la pantalla **Devices (Dispositivos)**.

## Aplicación del refrigerador

### Control integrado

Puede supervisar y controlar su refrigerador en su casa y desde cualquier otro lugar.

- Toque el icono del refrigerador en el panel de SmartThings o toque el icono de Dispositivos en la parte inferior del panel, y luego toque la "ficha" del refrigerador para abrir la página correspondiente.
- Controle el estado de operación o las notificaciones de su refrigerador y luego modifique las opciones o parámetros si fuera necesario.

### **NOTA**

Algunas opciones o parámetros del refrigerador pueden no estar disponibles para el control remoto.



# Funcionamiento

Categoría	Sección	Descripción
Supervisión	Temperatura del refrigerador	Muestra la configuración deseada de la temperatura del refrigerador.
	Temperatura del congelador	Muestra la temperatura actual del congelador.
	Configuración de FlexZone™	Muestra la configuración de FlexZone™.
	Diagnóstico	Detecta funcionamientos anormales del refrigerador.
	Monitoreo de energía	Verifica el consumo de energía acumulado del refrigerador durante los últimos 180 días.
Funciones	Fabricación de hielo	Puede activar o desactivar esta función y verificar su configuración actual.
		También puede verificar el estado y avance de la fabricación de hielo.
	Refrigeración rápida	Puede activar o desactivar esta función y verificar su configuración actual.
	Congelación rápida	Puede activar o desactivar esta función y verificar su configuración actual.
	Temperatura del refrigerador	Puede configurar la temperatura deseada del refrigerador.
	Temperatura del congelador	Puede configurar la temperatura deseada del congelador.
	Configuración de FlexZone™	Puede seleccionar el modo deseado de FlexZone™.
	Modo Shabat	Puede activar y desactivar el modo Shabat.
Alarmas	Temperatura anormalmente elevada	Esta alarma se dispara cuando la temperatura del refrigerador, el congelador o FlexZone™ es demasiado elevada.
	Puerta abierta	Esta alarma se dispara si la puerta del refrigerador, el cajón del congelador o el cajón FlexZone™ está abierto durante un período específico.
	Desbordamiento del llenado automático de agua	Si la función Llenado automático de agua detecta un desbordamiento, se dispara esta alarma para avisar sobre dicho estado.
	Reemplazo del filtro de agua	Esta alarma le recuerda que es necesario reemplazar el filtro de agua.



---

## **Función SMART GRID (respuesta a la demanda)**

Cuando el refrigerador opera en modo SMART GRID (respuesta a la demanda), la función de gestión de energía del refrigerador permite controlar el uso de la energía o demorar algunas funciones para ahorrar dinero cuando el precio de la energía o la demanda son más elevados.

### **NOTA**

- Se puede desactivar la función SMART GRID (respuesta a la demanda) en cualquier momento utilizando la función de activación/desactivación de la anulación.
- Para usar la función SMART GRID (respuesta a la demanda), se necesita un contrato aparte con la compañía de servicio eléctrico.

Además, para usar la función Smart Grid (respuesta a la demanda), debe registrar el servicio en su compañía de electricidad. La compañía debe tener un EMS (sistema de gestión de energía) compatible con SEP (perfil de energía inteligente).

## **Uso de la función SMART GRID (respuesta a la demanda)**

Esta función controla los precios de la energía y la información de la demanda desde la compañía de servicio eléctrico y envía notificaciones al refrigerador para que ejecute tareas de alto consumo energético fuera de las horas pico cuando el costo y la demanda de la electricidad son menores.

Si el refrigerador recibe una señal de control de la compañía de servicio eléctrico, mostrará los niveles **DAL** (L3) ~ **TALR** (L4) en el visor del refrigerador y controlará el consumo energético de acuerdo con el nivel.

[Condición de excepción] Las señales de control **DAL** y **TALR** de una compañía de servicio eléctrico funcionan mientras se mantiene el desempeño del producto.

Si el refrigerador recibe una señal SMART GRID (respuesta a la demanda) (**DAL** o **TALR**), el refrigerador funcionará en modo Delay Appliance Load (Demora en la carga del aparato) (Visor: L3) o Temporary Appliance Load Reduction (Reducción temporal de la carga del aparato) (Visor: L4).

- Demora en la carga del aparato (L3): el refrigerador responde a una señal **DAL** proporcionando una reducción de carga moderada durante el periodo de demora. Esta función controla las funciones que consumen mucha energía, como el ajuste del sistema de enfriamiento, la ejecución del ciclo de descongelación y la fabricación de hielo.
  - Cuando el refrigerador funciona en el modo **DAL** (L3), se muestra "L3" en el visor del refrigerador.
  - El modo **DAL** se desactiva automáticamente pasado el periodo de tiempo establecido por la señal **DAL** (máx. 4.5 horas) o cuando se presiona la tecla Override (Anular).





# Funcionamiento

- Reducción temporal de la carga del aparato (L4): El refrigerador responde a una señal **TALR** reduciendo drásticamente la carga durante un corto periodo de tiempo. Esta función reduce el consumo de energía deteniendo el compresor y controlando las funciones que consumen mucha energía, como el ciclo de descongelación y la fabricación de hielo.
  - Cuando el refrigerador funciona en el modo **TALR** (L4), se muestra "L4" en el visor del refrigerador.
  - El modo **TALR** (L4) se desactiva automáticamente pasado el periodo establecido (máx. 15 minutos) o cuando se presiona la tecla Override (Anular). El modo se desactiva de inmediato y el refrigerador regresa al estado normal cuando la puerta se abre o cierra o se utiliza el dispensador.

## Para verificar la dirección MAC



1. En este modo, la dirección MAC aparece en el panel de temperatura (en las secciones del congelador y del refrigerador del panel) en forma secuencial durante 1 minuto. Mantenga presionados **Freezer (Congelador)** y **Fridge (Refrigerador)** durante 6 segundos. El panel de temperatura titila. Luego, presione **Freezer (Congelador)** nuevamente para visualizar la dirección MAC. El refrigerador emite una señal sonora.
2. Por ejemplo, si la dirección MAC es "11-22-33-44-55-66", el panel de temperatura muestra la dirección durante 1 minuto en la siguiente secuencia: "-- / --" → "11 / 22" → "33 / 44" → "55 / 66" → "-- / --". Después de 1 minuto, la dirección MAC desaparece y panel de temperatura recupera el estado normal.

### NOTA

El panel de temperatura muestra "-- / --" para las direcciones MAC desconocidas o si no se ha establecido o se ha perdido una conexión Wi-Fi.

## Modo de anulación (Pico de demanda desactivado)

Cuando desee que el refrigerador ignore la señal SMART GRID (respuesta a la demanda) de la compañía de servicio eléctrico, puede activar el modo de anulación (Pico de demanda desactivado).

Si activa el modo de anulación (Pico de demanda desactivado), el refrigerador ignora la señal SMART GRID (respuesta a la demanda) y deja de estar controlado por la compañía de servicio eléctrico.

---

## Activar y desactivar el modo de Anulación (Pico de demanda desactivado)

1. Mantenga presionado **Freezer (Congelador)** por 3 segundos.
2. El icono de Anulación (Pico de demanda desactivado) se enciende con un zumbido y se muestra “Or” y “on” en los visores de temperatura del congelador y del refrigerador durante 5 segundos.
3. Si el refrigerador recibe la señal SMART GRID (respuesta a la demanda) de la compañía de servicio eléctrico, se muestra ‘Or’ en el visor de temperatura del congelador.
4. Para desactivar el modo de anulación (Pico de demanda desactivado), mantenga presionado **Freezer (Congelador)** por 3 segundos.
5. El icono de Anulación (Pico de demanda desactivado) se apaga con un zumbido y se muestra “Or” y “on” en los visores de temperatura del congelador y del refrigerador durante 5 segundos.

### **NOTA**

- Como alternativa, puede activar o desactivar el modo ANULAR (Pico de demanda desactivado) mediante la aplicación SmartThings y la función de gestión de energía. Ver la página siguiente.

# Funcionamiento

---

## Uso de la función de gestión de energía

La función de gestión de energía permite controlar y supervisar con mayor comodidad el refrigerador Energy Management mediante la aplicación SmartThings.

### **NOTA**

- Para usar las funciones del refrigerador Energy Management, en primer lugar debe instalar la aplicación correspondiente.
1. Estado de funcionamiento
    - Puede verificar los estados de DR y de Anulación (Pico de demanda desactivado).
  2. Informe del consumo de energía
    - Muestra el consumo de energía acumulado. Los datos del consumo de energía se actualizan cada 10 minutos.

### **NOTA**

El informe del consumo de energía puede diferir de las especificaciones de consumo de energía del producto dependiendo del entorno de funcionamiento y de los alimentos almacenados.

3. Capacidad de demora del descongelamiento
  - La función de capacidad de demora del descongelamiento ahorra energía demorando el descongelamiento hasta la hora especificada por el usuario. Se puede configurar la hora y esta función ahorrará energía durante el tiempo especificado en ciclos de 24 horas. Si no se establece la hora, funciona de acuerdo con la configuración de tiempo predeterminada. Las configuraciones de tiempo predeterminadas son las siguientes:
    - 6 a.m. a 10 a.m.: 1 de noviembre ~ 30 de abril
    - 3 p.m. a 7 p.m.: 1 de mayo ~ 31 de octubre

### **Para modificar la configuración de tiempo de la capacidad de demora del descongelamiento**

Puede cambiar el ajuste de la hora de la capacidad de demora del descongelamiento en la aplicación.

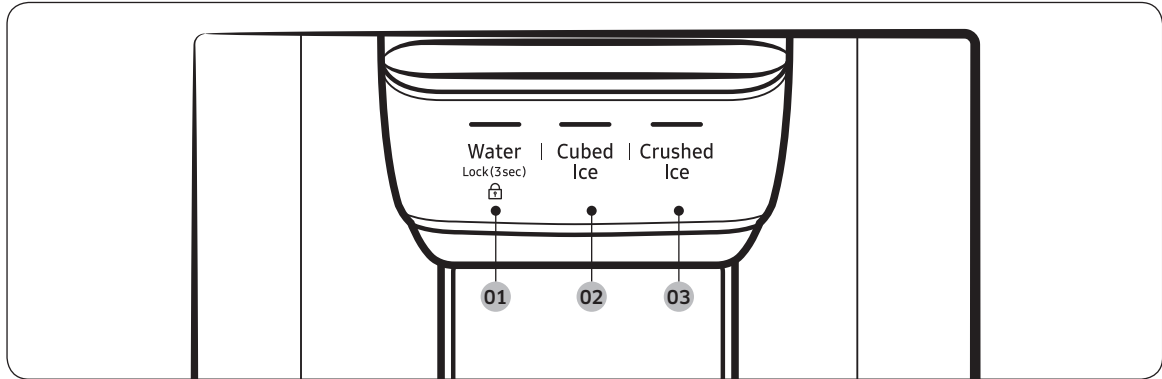
---

## Facilitación de acceso abierto a los requisitos del producto conectado

1. SGIP Open Standards (Smart Energy Profile 2.0 <http://www.csep.org/>)
  - Informe del consumo de energía
  - Respuesta a la demanda
2. Samsung OPEN API
  - Estado de funcionamiento, ajustes del usuario y mensajes
  - Estado de la fábrica de hielo: GET /icemaker/status/vs/0
  - Alarma de puerta abierta: GET /doors/vs/0
  - Estado DR: GET /drlc/vs/0
  - Capacidad de demora del descongelamiento
  - Establecer programación de la demora de descongelamiento: POST /defrost/reservation/vs/0?op=add
  - Obtener programación de la demora de descongelamiento: GET /defrost/reservation/vs/0
  - Borrar programación de la demora de descongelamiento: POST /defrost/reservation/vs/0?op=remove
  - Activar/desactivar demora de descongelamiento: POST /defrost/delay/vs/0

# Funcionamiento

## Panel del dispensador



**01** Water (Agua) / Lock (Bloqueo)

**02** Cubed Ice (Hielo en cubos)

**03** Crushed Ice (Hielo triturado)

**01** Agua / Bloqueo (3 seg)

Water (Agua)	Para dispensar agua fría presione <b>Water (Agua)</b> . Se enciende el indicador correspondiente.
Lock (Bloqueo) (Panel del dispensador/Palanca del dispensador)	Para impedir el uso de los botones del panel del dispensador y de la palanca del dispensador, mantenga presionado <b>Water (Agua)</b> durante más de 3 segundos. Si mantiene presionado el botón durante más de 3 segundos nuevamente, el bloqueo del dispensador se desactivará. Cuando bloqueo del dispensador está activado, el indicador parpadea si se presiona cualquier botón del panel principal o si se presiona la palanca del dispensador. <b>NOTA</b> El <b>Lock (Bloqueo)</b> en el panel del dispensador no afecta los controles del panel principal. Para bloquear el panel principal, utilice la función Bloqueo del control en el panel principal.

**02** Hielo en cubos

Cubed Ice (Hielo en cubos)	Presione <b>Cubed Ice (Hielo en cubos)</b> para dispensar hielo en cubos. Se enciende el indicador correspondiente.
----------------------------	---

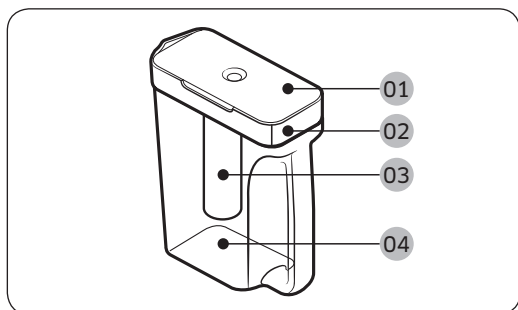
**03** Hielo triturado

Crushed Ice (Hielo triturado)	Presione <b>Crushed Ice (Hielo triturado)</b> para dispensar hielo triturado. Se enciende el indicador correspondiente.
-------------------------------	---

## Funciones especiales

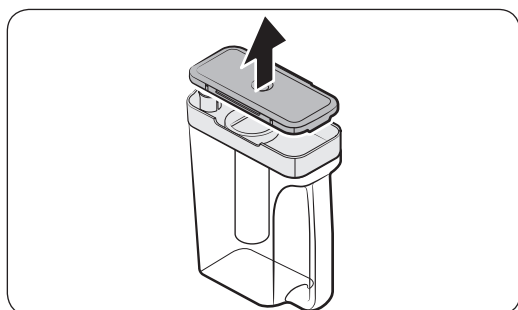
### Tanque de agua (Llenado automático de agua) (solo para los modelos correspondientes)

La función de llenado automático de agua le permite disfrutar de té frío elaborado en el refrigerador.



- 01 Tapa
- 02 Boca sellada
- 03 Infusor
- 04 Cuerpo

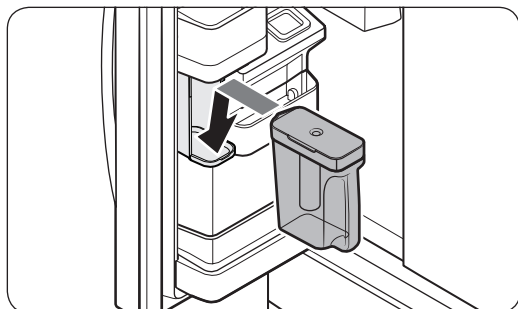
Para llenar el tanque de agua



1. Sujete una de las ranuras de la manija de la boca sellada y tire hacia arriba para abrir la tapa.
2. Coloque hojas de té o frutos a gusto en el infusor.

#### **NOTA**

Si desea mantener el agua de la infusión en su concentración inicial, apague la función de llenado automático de agua.

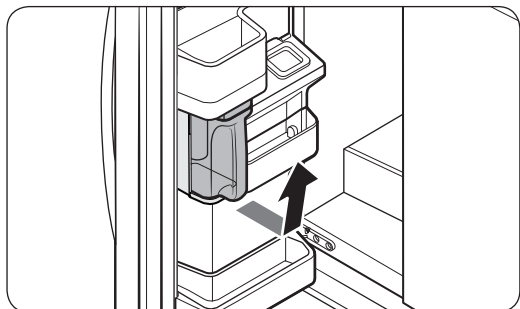


3. Active la función Llenado automático de agua en el panel principal. Abra la puerta izquierda del refrigerador y luego inserte el tanque de agua en el soporte. Empújelo en línea recta como se muestra en la ilustración de la izquierda.
4. Cierre la puerta. El infusor comenzará a llenarse con agua fría un poco después.

### **PRECAUCIÓN**

Asegúrese de que el infusor encaje en el soporte del tanque de agua.

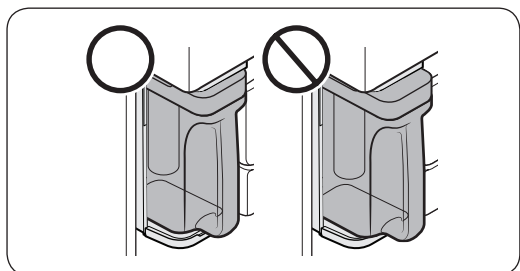
# Funcionamiento



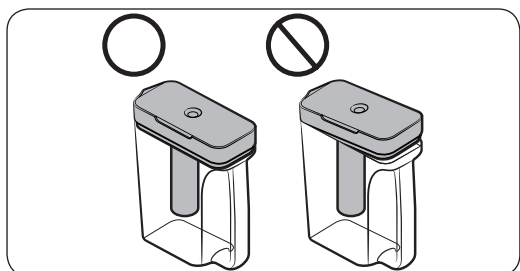
5. Para beber té, abra la puerta y retire el tanque de agua. Tire de este en línea recta.

## ⚠ PRECAUCIÓN

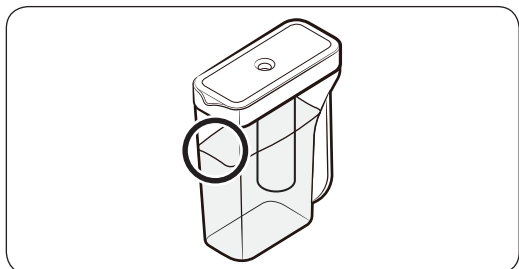
- Se recomienda consumir el agua infusada de frutos antes de que transcurran 24 horas. Después de este tiempo, el agua infusada se puede estropear.
- Debe limpiar el tanque de agua después de consumir el agua infusada o cuando no se lo ha utilizado por mucho tiempo.



- Para evitar que el tanque de agua se caiga o pierda, asegúrese de que encaje bien en el soporte del tanque de agua.

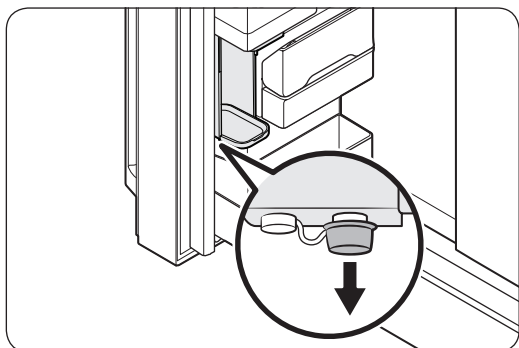


- Para evitar que el tanque de agua rebase o pierda, asegúrese de que la **boca sellada** esté correctamente colocada.



**NOTA**

- Si la parte delantera (área marcada específicamente) del tanque de agua tiene mucha humedad, es posible que el tanque de agua no se llene completamente. Quite la humedad e intente nuevamente.
- El llenado automático de agua detendrá el suministro de agua al tanque si éste no se llena después de un determinado periodo de tiempo. Si esto ocurriera, verifique que la tubería de agua esté conectada correctamente. Retire el tanque de agua, insértelo nuevamente y vuelva a intentarlo.



**NOTA**

- Limpie el soporte del infusor si este rebasa o pierde.
- Si la tapa de goma está abierta, caerá agua.
- En caso de fuga, el indicador de Auto Water Fill (Llenado automático de agua) parpadea. Si hay una fuga, abra la tapa de goma para que el agua drene. Entonces, el indicador se apagará. No obstante, si el indicador sigue parpadeando, es posible que se trate de una falla del sistema. Comuníquese con el Centro de Servicio Samsung local.
- En caso de fuga, los indicadores de Auto Water Fill (Llenado automático de agua) parpadean. Consulte la página 42 para obtener más información.



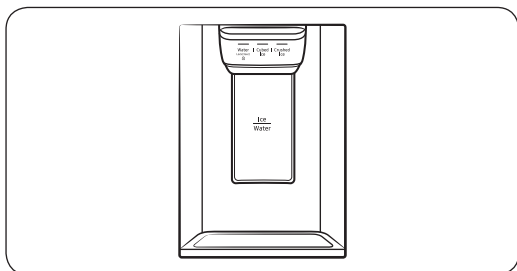
# Funcionamiento

## Dispensador de agua/hielo

Usando el dispensador, puede obtener agua con o sin hielo.

El dispensador de agua ofrece 3 opciones: agua fría, hielo en cubos y hielo triturado. Para dispensar agua fría, presione **Water (Agua)** en el panel del dispensador. Coloque un vaso para agua bajo el dispensador y presione la palanca del dispensador.

Para dispensar agua con hielo



1. Con la fábrica de hielo activada, presione **Cubed Ice (Hielo en cubos)** o **Crushed Ice (Hielo triturado)** para seleccionar el tipo de hielo.
2. Coloque un vaso para agua bajo el dispensador y presione la **palanca del dispensador** con el vaso. El hielo saldrá del dispensador.
3. Presione **Water (Agua)** para seleccionar agua.
4. Presione la **palanca del dispensador** con el vaso. Saldrá agua del dispensador.

### NOTA

- El dispensador dejará de dispensar si se mantiene la palanca presionada durante aproximadamente 1 minuto. Para dispensar más agua, libere y presione la palanca nuevamente.
- Asegúrese de que el vaso esté alineado con el dispensador para evitar que el agua se derrame.
- Si no utiliza el dispensador de agua durante 2 o 3 días, el agua dispensada puede presentar un sabor u olor extraño. No se trata de una falla del sistema. Descarte los primeros 1 o 2 vasos de agua.

## Fábrica de hielo

El refrigerador cuenta con una fábrica de hielo incorporada que dispensa hielo automáticamente para que pueda disfrutar de agua filtrada con hielo en cubos o triturado.

### Fabricación de hielo

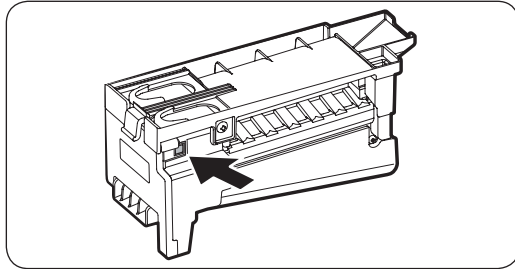
Una vez que haya instalado el refrigerador y lo haya enchufado, siga estas instrucciones a fin de asegurar la fabricación adecuada de hielo y de mantener la cubeta de hielo llena:

1. Permita que el refrigerador funcione durante al menos 24 horas para asegurar un desempeño óptimo.
2. Sirva los primeros 4 a 6 cubos de hielo en un vaso.
3. Espere otras 8 horas y sirva otros 4 a 6 cubos de hielo.
4. Luego, espere otras 16 horas y sirva el primer vaso lleno de hielo.

### NOTA

- Si consume todo el hielo de una vez, debe esperar 8 horas antes de servir los primeros 4 a 6 cubos. Esto garantiza que la cubeta de hielo se llene adecuadamente.
- Los cubos de hielo que se generan rápidamente pueden tener un aspecto blanquecino, lo cual es normal.

## Diagnóstico



Si el hielo no sale, controle la fábrica de hielo.

1. Presione **Prueba** sobre el lateral de la fábrica de hielo. Escuchará una señal sonora (campana) al presionar el botón.
2. Escuchará otra señal sonora si la fábrica de hielo funciona correctamente.

## ⚠ PRECAUCIÓN

- Si la señal sonora de fabricación de hielo suena repetidamente, comuníquese con el instalador de la tubería de agua o un Centro de Servicio Samsung local.
- No presione el botón **Prueba** continuamente una vez que la charola de hielo esté llena de hielo o agua. El agua se puede desbordar o el hielo puede atascarse.
- No ponga alimentos en la cubeta de hielo. Los alimentos congelados pueden dañar la fábrica de hielo, en especial al abrir o cerrar la puerta.
- Cuando el refrigerador recupera el suministro eléctrico después de un corte, la cubeta de hielo puede contener una mezcla de cubos de hielo derretidos y pegados, lo que puede evitar que la fábrica de hielo funcione adecuadamente. Para evitarlo, asegúrese de vaciar la cubeta de hielo para poder llenarla con cubos de hielo nuevos.
- No coloque los dedos ni otros objetos en la salida del dispensador o de la fábrica de hielo. Es posible que provoque lesiones o daños materiales.
- Cuando inserte nuevamente la charola de la fábrica de hielo, asegúrese de que esté bien centrada. De lo contrario, se podría trabar.

### Si apaga la fábrica de hielo

Si mantiene presionado **Ice Maker (Fabricación de hielo)** durante más de 3 segundos para apagar la fábrica de hielo, asegúrese de retirar todos los cubos de hielo de la cubeta. Los cubos de hielo restantes pueden pegarse y hacer que sea difícil retirarlos.

Para retirar la cubeta de hielo, consulte la sección **Cubeta de hielo (solo para los modelos correspondientes)** en la página 65.

## 📄 NOTA

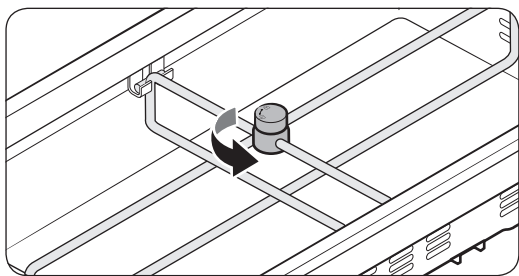
- La extracción de la cubeta de hielo no afecta el desempeño térmico y mecánico del refrigerador.

# Funcionamiento

## Turbidez del agua

El agua provista al refrigerador pasa por un filtro de centro alcalino. Durante el proceso de filtración, aumenta la presión del agua y esta se satura de oxígeno y nitrógeno. Esto hace que el agua parezca turbia temporalmente cuando se la sirve. Esto es normal y el agua aparecerá transparente después de unos segundos

## Separador de FlexZone™



Puede modificar la posición del separador.

Para ello, destrabe el separador girando el dial del separador en el sentido contrario al de las agujas del reloj. Luego, mueva las barras de ancho y alto según corresponda. Cuando termine, gire el dial en el sentido de las agujas del reloj para trabar el separador.

### **NOTA**

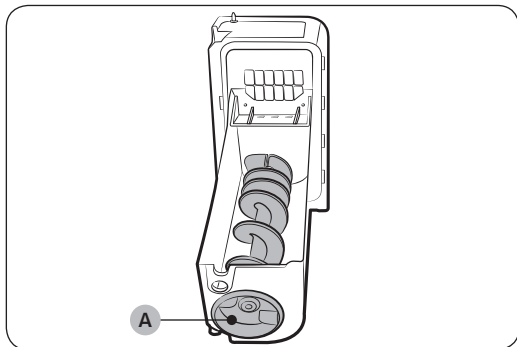
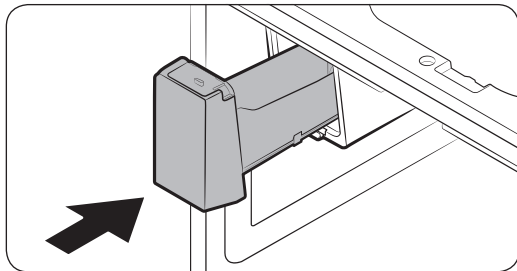
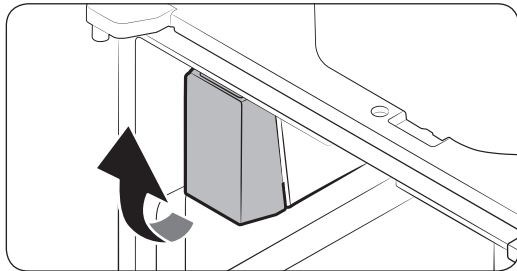
Si la traba del separador no funciona, limpie las barras para quitarles la humedad.

# Mantenimiento

## Manipulación y cuidado

### Cubeta de hielo (solo para los modelos correspondientes)

Si no sirve hielo durante un período prolongado, el hielo puede apelmazarse en la cubeta. Si esto ocurriera, retire y vacíe la cubeta de la fábrica de hielo.



1. Para retirar la cubeta de hielo, levántela suavemente y tire hacia afuera mientras sostiene la parte inferior de la cubeta con una mano y el lado con la otra.
2. Vacíe la cubeta.
3. Una vez que haya finalizado, coloque la cubeta en su posición. Si la cubeta no entra, gire el tornillo de hélice 90 grados e inténtelo nuevamente.

Si la cubeta de hielo no estuviera bien insertada, gire la **Hélice (A)** 90 grados e inténtelo nuevamente.

### ⚠ PRECAUCIÓN

- No use fuerza excesiva sobre cubierta de la cubeta. La cubierta puede romperse.
- No cierre la puerta por la fuerza. Puede derramarse agua sobre la fábrica de hielo.
- Para evitar lesiones, asegúrese de limpiar el hielo o el agua que pueda haber caído en el suelo.
- A fin de evitar lesiones o accidentes, no permita que los niños jueguen con el dispensador de agua ni la fábrica de hielo.

# Mantenimiento

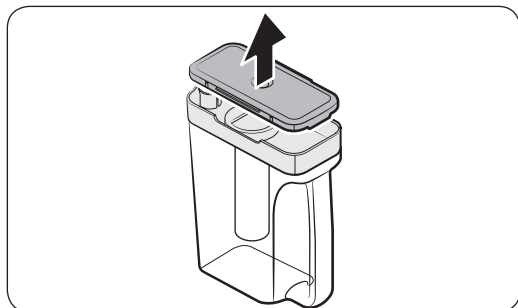
---

- No coloque la mano o ni ningún objeto en el conducto de hielo. Es posible que provoque lesiones o daños materiales.
- Utilice únicamente la cubeta de hielo provista. Las cubetas de hielo de terceros pueden provocar una falla del sistema.

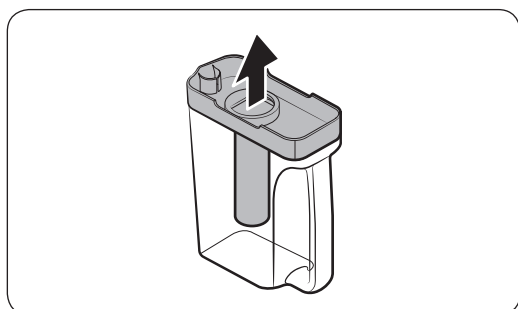
## **NOTA**

- La presión de agua necesaria para la fabricación de hielo es de entre 20 y 125 psi (138 y 862 kPa).
- Los ruidos de la fábrica de hielo durante el proceso de fabricación son normales.
- Cuando la puerta esté abierta, ni la fábrica de hielo ni el dispensador de agua funcionan.

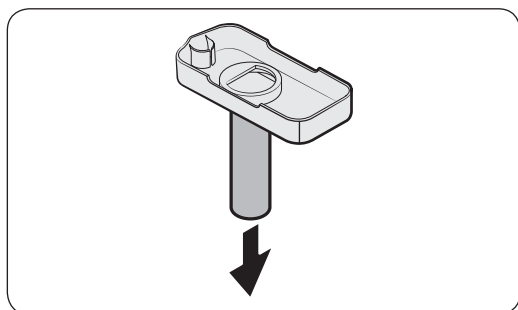
## Llenado automático de agua (solo para los modelos correspondientes)



1. Sujete una de las ranuras de la manija de la boca sellada y tire hacia arriba para retirar.



2. Sujete ambos lados de la boca sellada y luego levántela para retirarla.



3. Quite el infusor de la boca sellada girándolo ligeramente.
4. Limpie el infusor con agentes neutros y agua corriente. Enjuague y seque bien.
5. Vuelva a ensamblar el llenado automático de agua en orden inverso al desensamble.

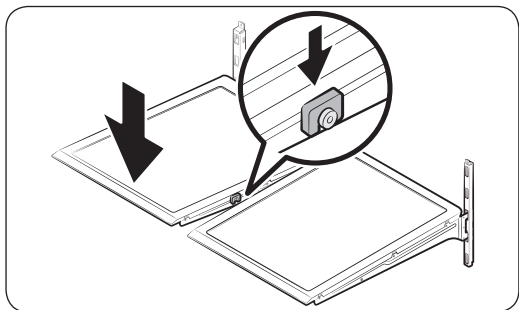
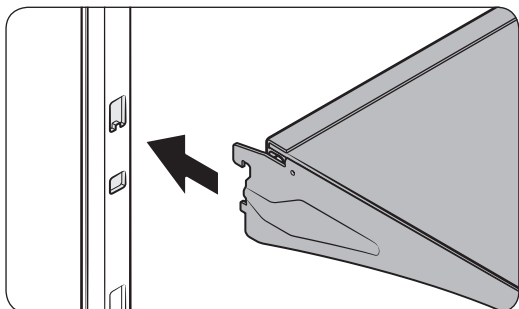
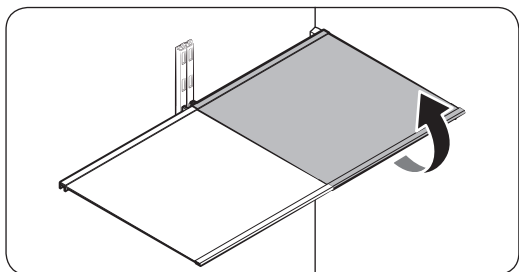
### **PRECAUCIÓN**

La jarra de agua y la tapa no son aptas para lavavajillas y pueden deformarse a elevadas temperaturas. Lávelas a mano si es necesario.

# Mantenimiento

## Estantes del refrigerador

El aspecto de los estantes varía según el modelo.



- Para retirar un estante, abra la puerta correspondiente por completo. Sostenga la parte delantera del estante y luego levántelo suavemente y deslícelo hacia afuera.

### NOTA

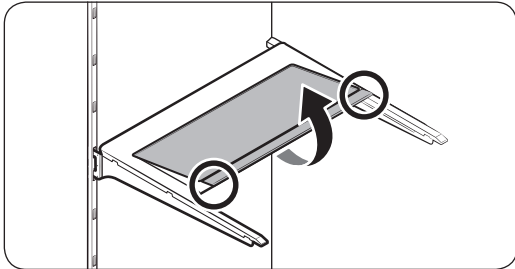
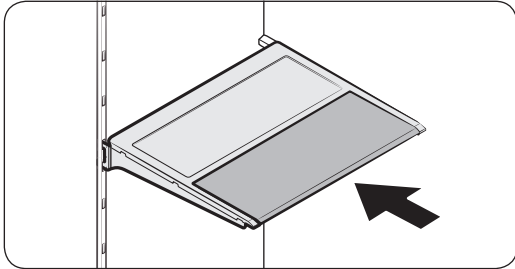
No levante el estante por completo al retirar o reinsertar el estante. La pared posterior del refrigerador podría abollarse.

- Para insertarlo nuevamente, sostenga el estante en ángulo de modo que la parte frontal esté más elevada que la trasera y luego inserte el gancho superior en la muesca superior del estante. Luego, baje el estante e inserte el gancho inferior del estante en la muesca inferior del estante.

### PRECAUCIÓN

- Los estantes de vidrio templado son pesados. Tenga cuidado al retirarlos.
- El estante debe insertarse correctamente. No lo coloque al revés.
- Los contenedores de vidrio pueden rayar la superficie de los estantes de vidrio.

## Estante plegable

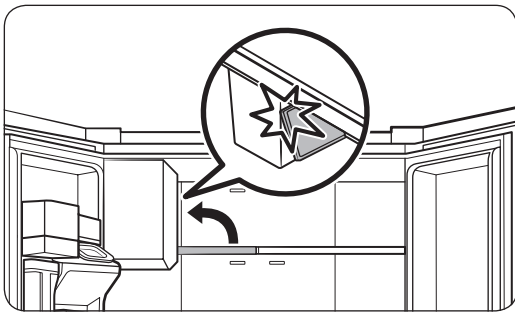


Para retirarlo, deslice el frente del estante hacia arriba para que se pliegue. Luego, levántelo suavemente y tire hacia afuera. Para volver a colocarlo, coloque el estante en el marco de la unidad principal y luego, presiónelo para desplegarlo.

### **⚠ PRECAUCIÓN**

Después de deslizar el estante plegable y plegarlo, puede retirar el frente del estante según su conveniencia. Si usa el estante sin retirar el frente del estante, tenga presente que este puede separarse de la parte posterior; tenga cuidado de la posible separación.

## Ubicación recomendada para el estante plegable



El estante plegable se pliega desde el centro, dándole más espacio de almacenamiento.

- Coloque el estante del lado derecho del refrigerador. El estante no se pliega completamente si se coloca del lado izquierdo.
- Para plegarlo, empuje el frente del estante hacia adentro de modo que se pliegue desde el medio.

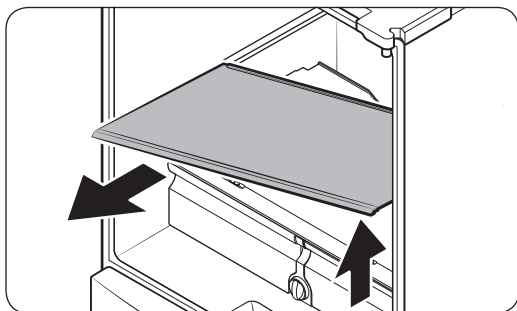
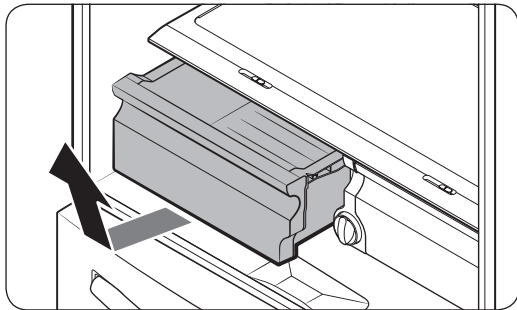
### **⚠ PRECAUCIÓN**

No levante o gire el estante plegable rápidamente para quitar alimentos ubicados debajo de este, ya que podría caerse.



# Mantenimiento

## Estante para vegetales



1. Deslice hacia afuera el cajón de vegetales izquierdo.

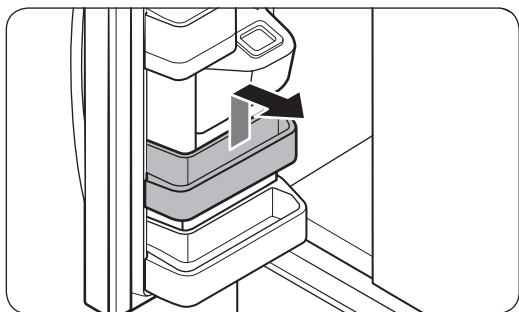
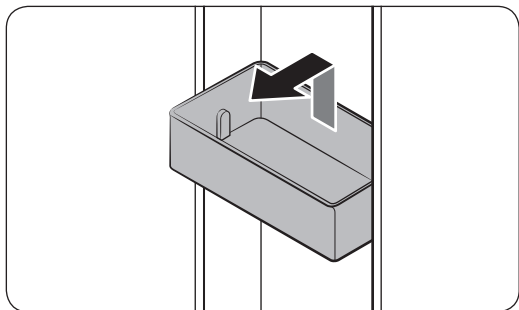
2. Mientras sujeta con una mano el estante de vegetales, deslícelo hacia afuera con la otra mano.

### **NOTA**

Para utilizar el espacio que queda después de retirar el estante plegable, extraiga el estante de vegetales.

Para insertarlo nuevamente, realice el procedimiento en el orden inverso.

## Compartimientos de las puertas



- Para retirar el **compartimiento superior de la puerta**, sostenga ambos lados delanteros del compartimiento y levántelo suavemente para retirarlo.
- Para volver a colocarlo, coloque el **compartimiento de la puerta** ligeramente por encima de su ubicación final asegurándose de que la parte posterior del compartimiento esté contra la puerta. Sostenga la parte posterior del **compartimiento de la puerta** con ambas manos y presiónelo para que encaje bien.

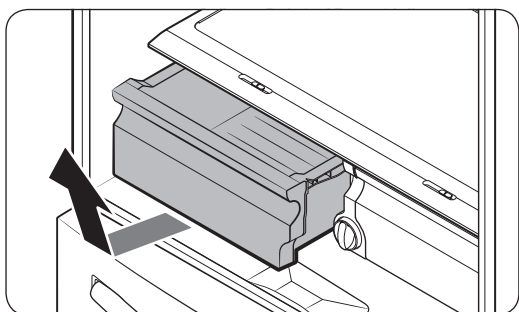
### **PRECAUCIÓN**

- No retire un compartimiento lleno de alimentos. Antes, vacíe el compartimiento.
- Tenga cuidado al abrir la puerta si el compartimiento inferior contiene botellas grandes que podrían caer.
- No permita que los niños jueguen con los compartimientos. Las esquinas filosas del compartimiento pueden causar lesiones.

# Mantenimiento

## Cajones del refrigerador

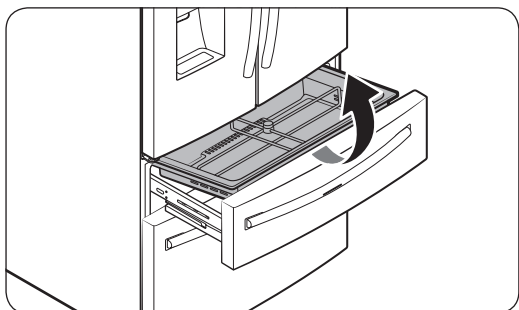
### Cajones de vegetales/frutas



Levante suavemente el frente del cajón y deslícelo hacia afuera.

- Se recomienda retirar los compartimientos de la puerta antes de retirar el cajón. Esto es para evitar que se dañen.
- Para volver a colocarlo, inserte el cajón en los rieles y deslícelo hacia adentro.

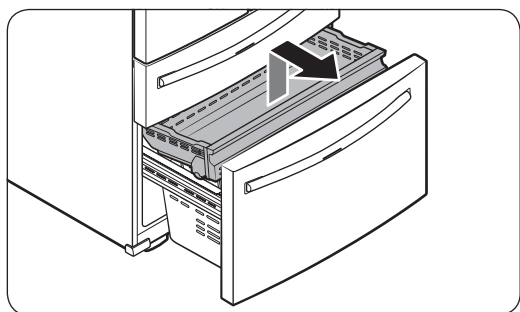
## Cesta FlexZone™



- Para retirarla, abra el cajón FlexZone™ completamente. Levante la cesta FlexZone™ y tire hacia afuera con ambas manos.
- Para volver a colocarla, abra el cajón FlexZone™ completamente. Inclinando el frente de la cesta hacia arriba, inserte la parte posterior de la cesta en el conjunto de riel. Baje el frente hasta que la cesta se acomode.
- Si la traba del separador no funciona, limpie las barras para quitarles la humedad.

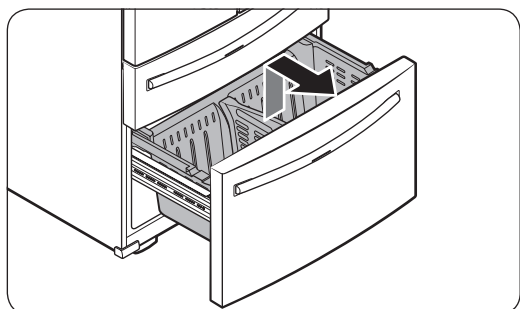
## Cestas del congelador

### Cesta superior



- Para retirarla, abra el cajón del congelador completamente. Empuje la **cesta superior** hasta el final y luego levántela para quitarla.
- Para volver a colocarla, alinee las ruedas delanteras de la **cesta superior** con el extremo de la **cesta inferior**. Deslice la **cesta superior** hacia adelante.

### Cesta inferior



- Para retirarla, primero debe retirar la **cesta superior**. Luego, incline el frente de la **cesta inferior** hacia arriba para retirarla.
- Para volver a colocarla, inserte primero la parte posterior de la cesta en el **conjunto de riel**.

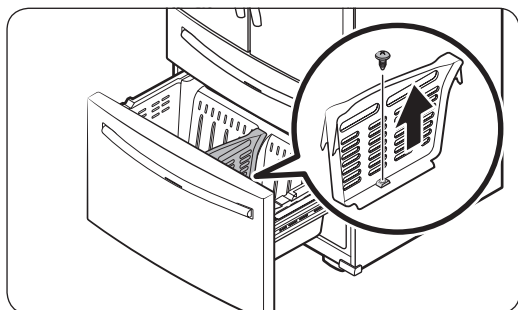
## ⚠ PRECAUCIÓN

- No gire la cesta al retirarla o colocarla. Se puede rayar.
- Para evitar lesiones personales, daños materiales o sofocación, mantenga a los niños alejados de las cestas del congelador que han sido retiradas.
- No retire el separador.
- Coloque las ruedas de la cesta superior en el extremo de los rieles de la cesta inferior. Luego, deslice la cesta superior completamente hacia adelante. De lo contrario, el cajón no se podrá abrir ni cerrar correctamente, lo que provocará la acumulación de escarcha.

# Mantenimiento

---

## Separador de la cesta del congelador



Afloje y retire el tornillo de la parte inferior del separador. Jale hacia arriba para extraer el separador.

## Limpieza

### Interior y exterior

#### **ADVERTENCIA**

- No limpie el refrigerador con benceno, disolvente, detergente para automóviles/hogareño o Clorox™ (blanqueador). Pueden dañar la superficie del refrigerador y provocar un incendio.
- No rocíe agua sobre el refrigerador. Puede provocar una descarga eléctrica.

Utilice un paño seco regularmente para retirar cualquier sustancia extraña como polvo o agua de las terminales del enchufe de alimentación y los puntos de contacto.

1. Desenchufe el cable de alimentación
2. Utilice un paño húmedo que no deje pelusa o una toalla de papel para limpiar el interior y el exterior del refrigerador.
3. Al terminar, utilice un paño seco o toalla de papel para secarlo bien.
4. Enchufe el cable de alimentación.

### Dispensador de hielo/agua

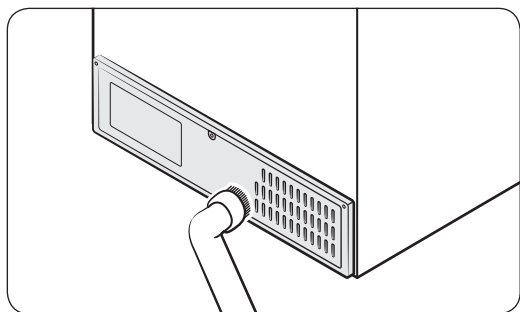
#### **PRECAUCIÓN**

Cuando está seleccionada la opción de hielo triturado, es posible que se acumulen fragmentos de hielo residual en el recipiente de hielo. Para evitarlo, quite el hielo residual del recipiente con un paño suave y limpio.

### Burletes de goma

En caso de que los burletes de goma de una puerta se ensucien, es posible que la puerta no cierre bien y el refrigerador disminuya su rendimiento y eficacia. Utilice un detergente suave y un paño húmedo para limpiar los burletes de goma. Luego, séquelos bien con un paño.

### Panel posterior



Para mantener los cables y las partes expuestas del panel posterior libres de polvo, aspire el panel una o dos veces al año.

#### **PRECAUCIÓN**

No retire la cubierta del panel posterior. Podría producirse una descarga eléctrica.

# Mantenimiento

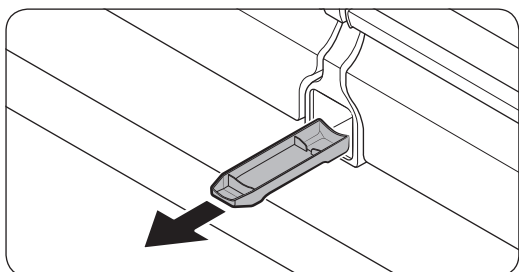
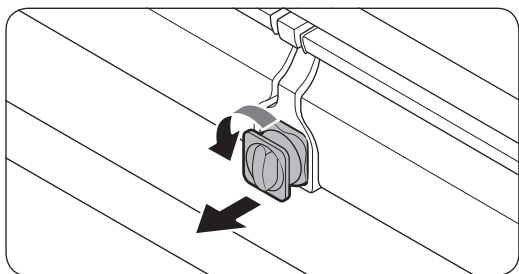
## Reemplazo

### Filtro de agua

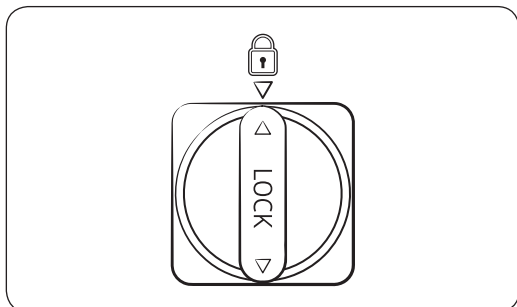
#### ⚠ ADVERTENCIA

- No utilice filtros de agua de terceros. Utilice únicamente filtros provistos o aprobados por Samsung.
- Los filtros no aprobados pueden provocar pérdidas y daños al refrigerador y descargas eléctricas. Samsung no se hace responsable por los daños que puedan generarse a partir del uso de filtros de terceros.

El indicador de restablecimiento del filtro (**Filter**) se pone rojo para recordarle que es momento de cambiar el filtro. Antes de reemplazar el filtro, asegúrese de que la tubería de agua esté cerrada.



1. Cierre la tubería de suministro de agua.
2. Gire la perilla del cartucho del filtro en el sentido contrario a las agujas del reloj unos 90 grados (giro de 1/4). El cartucho del filtro se destraba.
3. Tire para retirar el cartucho.
  - Si el filtro de agua estuviera muy contaminado, es posible que el cartucho no pueda retirarse fácilmente. En dicho caso, retírelo por la fuerza.
  - A fin de evitar pérdidas de agua a través de la abertura del filtro, jale el cartucho en línea recta al retirarlo.
4. Inserte un nuevo cartucho de filtro. Utilice únicamente filtros provistos o aprobados por Samsung.



5. Gire la perilla del filtro en el sentido de las agujas del reloj para trarlo en su posición.
6. Mantenga **Filter Reset (Restablecer filtro)** presionado en el panel principal durante 3 segundos para restablecer el detector de ciclo de vida útil. El indicador Restablecer filtro ( **Filter** ) se apagará.
7. Al finalizar el reemplazo del filtro, abra la válvula de agua y deje correr el agua por el dispensador durante unos 7 minutos. De esta forma se eliminan las impurezas y el aire de la tubería de agua.

#### **NOTA**

- Los filtros nuevos pueden hacer que brote agua del dispensador brevemente. Esto se debe al ingreso de aire en la tubería de agua.
- El proceso de reemplazo puede hacer que el dispensador de agua gotee por un período breve. Si gotea, simplemente limpie el agua del piso con una toalla seca.

#### **Sistema de filtración por ósmosis inversa**

La presión de agua del sistema de suministro hacia un sistema de filtración por ósmosis inversa debe ser de entre 35 psi y 120 psi (241 kPa y 827 kPa).

La presión de agua del sistema de filtración de agua por ósmosis inversa a la tubería de agua fría del refrigerador debe ser de al menos 40 psi (276 kPa). Si la presión de agua estuviera por debajo de estas especificaciones:

- Verifique si el filtro de sedimentos en el sistema de ósmosis inversa está bloqueado. Reemplace el filtro si fuera necesario.
- Llene nuevamente de agua el tanque de agua del sistema de ósmosis inversa.
- Si el refrigerador cuenta con un filtro de agua, es posible que la presión de agua disminuya aún más al usarlo con un sistema de ósmosis inversa. Retire el filtro de agua.

Para obtener más información sobre el mantenimiento, comuníquese con un plomero profesional.

#### **Pedir un filtro nuevo.**

Para comprar un nuevo filtro de agua, comuníquese con un Centro de Servicio Samsung local o visite el sitio web [www.samsungparts.com](http://www.samsungparts.com).



# Mantenimiento

---

## Lámparas de LED

Para reemplazar las lámparas del refrigerador, comuníquese con un centro de servicios Samsung local.

### **ADVERTENCIA**

- El usuario no debe reemplazar las lámparas. No intente reemplazar la lámpara usted mismo. Puede provocar una descarga eléctrica.

# Solución de problemas

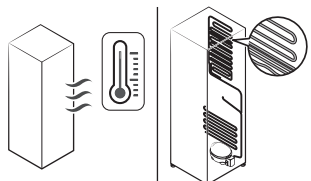
Antes de solicitar servicio técnico revise los síntomas y las soluciones recomendadas que se especifican a continuación. Si ninguna de estas soluciones recomendadas resuelve su problema, visite nuestro sitio web [www.samsung.com](http://www.samsung.com) o llame al Servicio de Atención al Cliente de Samsung al 1-800-SAMSUNG (726-7864). Tenga presente que se le cobrará por las visitas de servicio cuando no se detecte ningún desperfecto.

## General

### Temperatura

Síntoma	Causas posibles	Solución
El refrigerador/ congelador no funciona. La temperatura del refrigerador/congelador es elevada.	<ul style="list-style-type: none"><li>El cable de alimentación no está conectado correctamente.</li></ul>	<ul style="list-style-type: none"><li>Enchufe correctamente el cable de alimentación.</li></ul>
	<ul style="list-style-type: none"><li>El control de temperatura no está configurado correctamente.</li></ul>	<ul style="list-style-type: none"><li>Baje la temperatura.</li></ul>
	<ul style="list-style-type: none"><li>El refrigerador está ubicado cerca de una fuente de calor o expuesto a la luz solar directa.</li></ul>	<ul style="list-style-type: none"><li>Mantenga el refrigerador alejado de la luz solar directa o de las fuentes de calor.</li></ul>
	<ul style="list-style-type: none"><li>No hay espacio suficiente entre el refrigerador y las paredes y gabinetes cercanos.</li></ul>	<ul style="list-style-type: none"><li>Asegúrese de que haya un espacio mínimo de 2.5 pulgadas (5 cm) entre la parte posterior y los lados del refrigerador y las paredes y gabinetes cercanos.</li></ul>
	<ul style="list-style-type: none"><li>El modo Ahorro de energía está activado.</li></ul>	<ul style="list-style-type: none"><li>Desactive el modo Ahorro de energía.</li></ul>
	<ul style="list-style-type: none"><li>El refrigerador está demasiado lleno. Los alimentos bloquean las rejillas de ventilación del refrigerador.</li></ul>	<ul style="list-style-type: none"><li>No sobrecargue el refrigerador. Evite que los alimentos bloqueen la ventilación.</li></ul>
El refrigerador/ congelador enfría demasiado.	<ul style="list-style-type: none"><li>El control de temperatura no está configurado correctamente.</li></ul>	<ul style="list-style-type: none"><li>Eleve la temperatura.</li></ul>

# Solución de problemas

Síntoma	Causas posibles	Solución
La pared interna está caliente.	<ul style="list-style-type: none"> <li>El refrigerador cuenta con tuberías a prueba de calor en la pared interna.</li> </ul>	<ul style="list-style-type: none"> <li>A fin de evitar que se forme condensación, el refrigerador cuenta con tuberías a prueba de calor en los ángulos frontales. Si la temperatura aumenta, es posible que el equipo no funcione eficazmente. No se trata de una falla del sistema.</li> </ul> 

## Olores

Síntoma	Causas posibles	Solución
El refrigerador huele mal.	<ul style="list-style-type: none"> <li>Alimentos descompuestos.</li> </ul>	<ul style="list-style-type: none"> <li>Limpie el refrigerador y retire los alimentos descompuestos.</li> </ul>
	<ul style="list-style-type: none"> <li>Alimentos con olores fuertes.</li> </ul>	<ul style="list-style-type: none"> <li>Asegúrese de que los alimentos con olores fuertes estén envueltos al vacío.</li> </ul>

## Escarcha

Síntoma	Causas posibles	Solución
Escarcha alrededor de las rejillas de ventilación.	<ul style="list-style-type: none"> <li>Los alimentos bloquean las rejillas de ventilación.</li> </ul>	<ul style="list-style-type: none"> <li>Asegúrese de que ningún alimento bloquee las rejillas de ventilación del refrigerador.</li> </ul>
Escarcha en las paredes internas.	<ul style="list-style-type: none"> <li>La puerta está mal cerrada.</li> </ul>	<ul style="list-style-type: none"> <li>Asegúrese de que ningún alimento bloquee la puerta. Limpie las juntas de la puerta.</li> </ul>
Las frutas o los vegetales se congelan.	<ul style="list-style-type: none"> <li>Las frutas o los vegetales están guardados en la FlexZone™.</li> </ul>	<ul style="list-style-type: none"> <li>No debe almacenar casi ningún tipo de frutas o vegetales en la FlexZone™.</li> </ul>

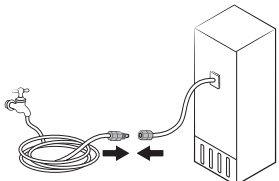
## Condensación

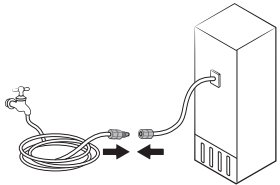
Síntoma	Causas posibles	Solución
Se forma condensación en las paredes internas.	<ul style="list-style-type: none"><li>• Si se deja la puerta abierta, entra humedad en el refrigerador.</li></ul>	<ul style="list-style-type: none"><li>• Retire la humedad y no deje la puerta abierta durante períodos prolongados.</li></ul>
	<ul style="list-style-type: none"><li>• Alimentos con elevado contenido de humedad.</li></ul>	<ul style="list-style-type: none"><li>• Asegúrese de que los alimentos estén envueltos al vacío.</li></ul>

## Agua/hielo (solo para modelos con dispensador)

Síntoma	Causas posibles	Solución
Sale menos agua de lo normal.	<ul style="list-style-type: none"><li>• La presión del agua es demasiado baja.</li></ul>	<ul style="list-style-type: none"><li>• Asegúrese de que la presión del agua esté entre 20 y 120 psi.</li></ul>
La fábrica de hielo emite un zumbido.	<ul style="list-style-type: none"><li>• La función de fabricación de hielo está activada, pero el suministro de agua al refrigerador no está conectado.</li></ul>	<ul style="list-style-type: none"><li>• Presione <b>Ice Maker (Fabricación de hielo)</b>.</li></ul>
La fábrica de hielo no hace hielo.	<ul style="list-style-type: none"><li>• La fábrica de hielo está recién instalada.</li></ul>	<ul style="list-style-type: none"><li>• Debe esperar 12 horas para que el refrigerador haga hielo.</li></ul>
	<ul style="list-style-type: none"><li>• La temperatura del congelador es demasiado alta.</li></ul>	<ul style="list-style-type: none"><li>• Configure la temperatura del congelador por debajo de 0 °F (-18 °C) o -4 °F (-20 °C) en ambientes cálidos.</li></ul>
	<ul style="list-style-type: none"><li>• La función Lock (Bloqueo) del panel del dispensador está activada.</li></ul>	<ul style="list-style-type: none"><li>• Desactive la función Lock (Bloqueo) del panel del dispensador.</li></ul>
	<ul style="list-style-type: none"><li>• Fábrica de hielo desactivada.</li></ul>	<ul style="list-style-type: none"><li>• Encienda la fábrica de hielo.</li></ul>

# Solución de problemas

Síntoma	Causas posibles	Solución
No se dispensa hielo.	<ul style="list-style-type: none"> <li>El hielo puede atascarse si el dispensador de hielo no se utiliza durante un periodo largo de tiempo (aproximadamente 3 semanas).</li> </ul>	<ul style="list-style-type: none"> <li>Si no utilizará el refrigerador por un periodo de tiempo prolongado, vacíe la cubeta de hielo y apague la fábrica de hielo.</li> </ul>
	<ul style="list-style-type: none"> <li>La cubeta de hielo no está insertada correctamente.</li> </ul>	<ul style="list-style-type: none"> <li>Asegúrese de que la cubeta de hielo esté insertada por completo.</li> </ul>
	<ul style="list-style-type: none"> <li>La tubería de agua no está conectada correctamente o el suministro de agua está cerrado.</li> </ul>	<ul style="list-style-type: none"> <li>Verifique que la tubería de agua esté instalada correctamente. Verifique que la llave de paso de la tubería de agua no esté cerrada.</li> </ul>  <p>El diagrama muestra un refrigerador con una tubería de agua conectada a un grifo. Una línea de tubería flexible conecta el grifo al refrigerador. Hay una llave de paso en la tubería. Una flecha roja apunta hacia la llave de paso, indicando que debe estar abierta.</p>

Síntoma	Causas posibles	Solución
No se dispensa agua.	<ul style="list-style-type: none"> <li>La tubería de agua no está conectada correctamente o el suministro de agua está cerrado.</li> </ul>	<ul style="list-style-type: none"> <li>Verifique que la tubería de agua esté instalada correctamente. Verifique que la llave de paso de la tubería de agua no esté cerrada.</li> </ul> 
	<ul style="list-style-type: none"> <li>La función Bloqueo del panel del dispensador está activada.</li> </ul>	<ul style="list-style-type: none"> <li>Desactive la función Bloqueo del panel del dispensador.</li> </ul>
	<ul style="list-style-type: none"> <li>Se instaló un filtro de agua de terceros.</li> </ul>	<ul style="list-style-type: none"> <li>Utilice únicamente filtros provistos o aprobados por Samsung.</li> <li>Los filtros no aprobados pueden provocar pérdidas y daños al refrigerador.</li> </ul>
	<ul style="list-style-type: none"> <li>El indicador de filtro de agua se enciende o parpadea.</li> </ul>	<ul style="list-style-type: none"> <li>Reemplace el filtro de agua. Luego de reemplazarlo, restablezca el sensor del indicador del filtro.</li> </ul>

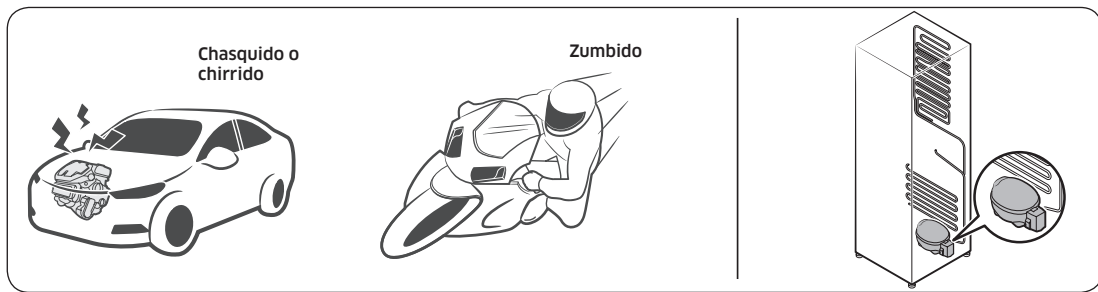
# Solución de problemas

## ¿Se oyen ruidos anómalos procedentes del refrigerador?

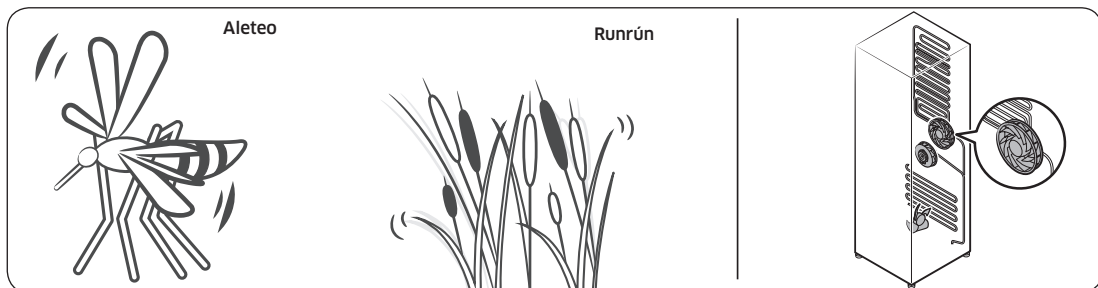
Antes de llamar al servicio técnico, revise la siguiente información. Si aún tiene alguna duda respecto de algún ruido relacionado con su refrigerador, llame al Servicio de Atención al Cliente de Samsung al 1-800-SAMSUNG (726-7864). Tenga presente que se le cobrará por las visitas de servicio relacionadas con ruidos normales cuando no se detecte ningún desperfecto.

### Dichos ruidos son normales.

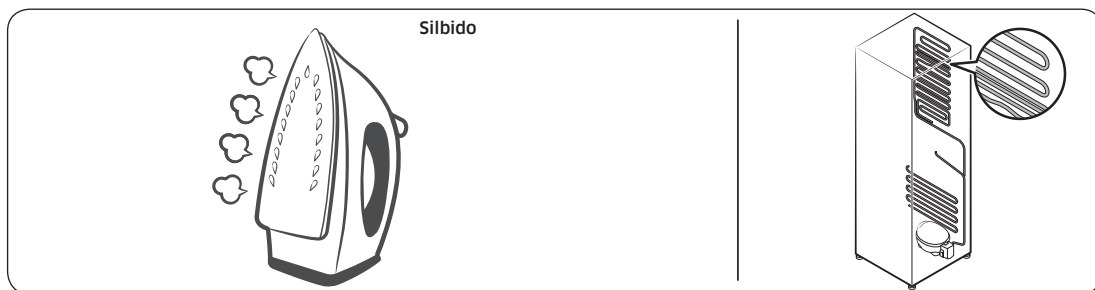
- Cuando se inicia o finaliza una operación, el refrigerador puede emitir unos sonidos similares al encendido del motor de un auto. Cuando la operación se estabiliza, el ruido disminuye.



- Cuando el ventilador está en funcionamiento puede producir algunos ruidos. Cuando el refrigerador alcanza la temperatura establecida, el ruido del ventilador se detiene.



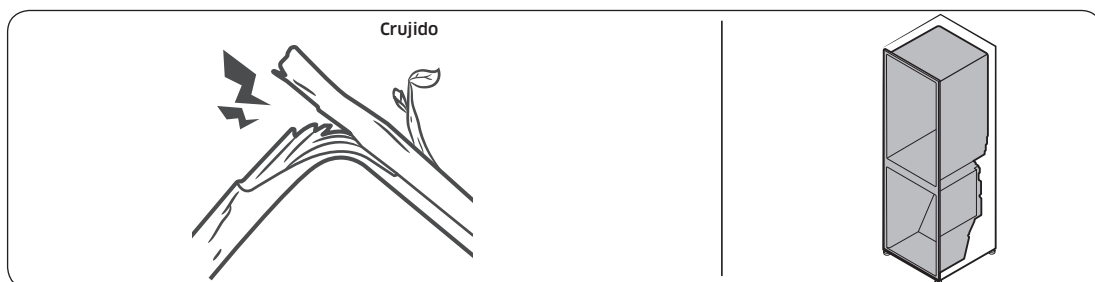
- Durante un ciclo de descongelación, pueden caer gotas de agua sobre el calefactor y producir ruidos de chisporroteo.



- Cuando el refrigerador enfría o congela, el gas refrigerante circula por las tuberías selladas y produce ruidos de burbujas.



- Cuando la temperatura del refrigerador aumenta o disminuye, las partes plásticas se contraen y se expanden y producen ruidos de golpeteo. Dichos ruidos se producen durante el ciclo de descongelación o cuando las piezas electrónicas están funcionando.



- Para modelos con fábrica de hielo: Cuando la válvula de agua se abre para llenar la fábrica de hielo, pueden emitirse unos zumbidos.
- Debido a la eculalización de la presión cuando se abre y cierra la puerta del refrigerador, pueden producirse sonidos silbantes.



# Solución de problemas

## SmartThings

Síntoma	Acción
No se encuentra "SmartThings" en el mercado de aplicaciones.	<ul style="list-style-type: none"><li>La aplicación SmartThings está diseñada para Android 6.0 (Marshmallow) o posterior, iOS 10.0 o posterior, iPhone 6 o posterior, y está optimizada para teléfonos inteligentes Samsung (series Galaxy S y Galaxy Note).</li></ul>
La aplicación SmartThings no funciona.	<ul style="list-style-type: none"><li>La aplicación SmartThings está disponible únicamente para los modelos correspondientes.</li><li>La aplicación Samsung Smart Refrigerator antigua no puede conectarse con los modelos Samsung Smart Home.</li></ul>
La aplicación SmartThings está instalada pero no se conecta a mi refrigerador.	<ul style="list-style-type: none"><li>Debe iniciar una sesión con su cuenta Samsung para utilizar la aplicación.</li><li>Asegúrese de que su enrutador funcione normalmente.</li><li>Si no conectó el refrigerador a la aplicación SmartThings luego de instalar esta, debe establecer la conexión con la función de registro del dispositivo de la aplicación.</li></ul>
No se puede iniciar una sesión en la aplicación.	<ul style="list-style-type: none"><li>Debe iniciar una sesión con su cuenta Samsung para utilizar la aplicación.</li><li>Si no tiene una cuenta Samsung, siga las aplicaciones en pantalla de la aplicación para crear una.</li></ul>
Cuando trato de registrar mi refrigerador aparece un mensaje de error.	<ul style="list-style-type: none"><li>Easy Connection puede fallar como resultado de la distancia con respecto al punto de acceso (PA) o de una interferencia eléctrica del entorno circundante. Espere un momento e inténtelo nuevamente.</li></ul>
La aplicación SmartThings está conectada correctamente a mi refrigerador pero no funciona.	<ul style="list-style-type: none"><li>Salga y reinicie la aplicación SmartThings o desconecte el enrutador y conéctelo nuevamente.</li><li>Desconecte el cable de alimentación del refrigerador y enchúfelo nuevamente después de 1 minuto.</li></ul>

## Smart Grid (solo para los modelos correspondientes)

Síntoma	Acción
¿Qué necesito para utilizar las funciones Energy Management (Gestión de energía) y Smart Grid?	<p>Para usar las funciones Smart Grid (respuesta a la demanda) y Energy Management (Gestión de energía) del refrigerador, se necesita lo siguiente:</p> <p>Dispositivos</p> <ul style="list-style-type: none"> <li>• Un punto de acceso inalámbrico (enrutador)</li> <li>• Un refrigerador que admita Samsung Energy Management</li> <li>• Un teléfono inteligente</li> </ul> <p>Registro</p> <ul style="list-style-type: none"> <li>• Conecte el refrigerador a su red Wi-Fi doméstica.</li> <li>• Regístrese en el servicio EMS con su compañía de electricidad. Su compañía eléctrica debe tener un EMS (sistema de gestión de energía) compatible con SEP (perfil de energía inteligente).</li> </ul> <p>Aplicación</p> <ul style="list-style-type: none"> <li>• Descargue la aplicación SmartThings desde Google Play Store, Apple App Store o Samsung Galaxy Apps.</li> <li>• Instale y ejecute la aplicación SmartThings en su teléfono inteligente.</li> </ul>
¿Por qué la función de gestión de energía no opera con normalidad?	<ul style="list-style-type: none"> <li>• Asegúrese de que el enrutador de su casa opere normalmente con un servicio y una conexión a Internet correctos.</li> <li>• Asegúrese de que el refrigerador esté conectado al PA (enrutador).</li> </ul> <p>Puntos de verificación</p> <ul style="list-style-type: none"> <li>• Conecte su teléfono inteligente al enrutador (PA, punto de acceso) y revise si puede acceder a Internet desde el teléfono inteligente.</li> </ul>
¿Por qué la capacidad de demora del descongelamiento no opera con normalidad?	<ul style="list-style-type: none"> <li>• Asegúrese de que el enrutador de su casa opere normalmente con un servicio y una conexión a Internet correctos.</li> </ul>

# GARANTÍA LIMITADA (EE.UU.)

---

## REFRIGERADOR SAMSUNG

---

### **GARANTÍA LIMITADA AL COMPRADOR ORIGINAL CON COMPROBANTE DE COMPRA**

Este producto de marca SAMSUNG, suministrado y distribuido por Samsung Electronics America, Inc. (SAMSUNG) y entregado nuevo en su caja de fábrica al comprador original, está garantizado por SAMSUNG ante defectos de fabricación relacionados con los materiales o la mano de obra durante el período de garantía limitado a:

Un (1) año para las piezas y la mano de obra

Cinco (5) años para las piezas y la mano de obra exclusivamente del sistema hermético de refrigeración (compresor, evaporador, condensador, deshumidificador y tuberías de conexión)

Diez (10) años para las piezas y cinco (5) años para la mano de obra exclusivamente del compresor Inverter digital

Esta garantía limitada solo es válida para productos comprados y utilizados en Estados Unidos de América que hayan sido instalados, operados y mantenidos de acuerdo a las instrucciones que se adjuntaron o proporcionaron con el producto. Para recibir el servicio técnico de la garantía, el comprador debe comunicarse con SAMSUNG en la dirección o con el número de teléfono detallado en esta garantía con el fin de que se determine el problema y los procedimientos del servicio. El servicio de garantía solo puede realizarse a través de un Centro de Servicio autorizado por SAMSUNG. Debe presentarse la factura original de venta bajo solicitud de SAMSUNG o del Centro de Servicio autorizado por SAMSUNG como prueba de compra para recibir el servicio técnico de la garantía.

SAMSUNG brindará servicio técnico a domicilio sin costo dentro de los Estados Unidos contiguos durante el período de garantía, sujeto a disponibilidad de los prestadores de servicio técnico autorizados dentro del área geográfica del cliente. Si el servicio a domicilio no está disponible, SAMSUNG podrá, según su criterio, optar por brindar el servicio de transporte del producto de ida y vuelta al centro de servicio. Si el producto se encuentra en un área sin prestadores de servicio técnico autorizado de SAMSUNG, es posible que se cobre el costo del viaje o se solicite que el cliente lleve el producto a un centro de servicio técnico autorizado de SAMSUNG para que se realice el servicio técnico.

Como condición para que se preste este servicio a domicilio, el producto debe encontrarse libre de obstrucciones y accesible para el agente de servicio.

Durante el período de garantía correspondiente, el producto se reparará, reemplazará, o se devolverá el monto de la compra, según decida SAMSUNG. SAMSUNG podrá utilizar piezas nuevas o reparadas al reparar el producto; o lo reemplazará con un producto nuevo o reparado. Las piezas y los productos reemplazados estarán garantizados por la garantía del producto original que resta, o noventa (90) días, el período que sea el más prolongado. Todas las piezas y los productos reemplazados son propiedad de SAMSUNG y deben ser devueltos a SAMSUNG.

---

Esta garantía limitada cubre defectos de fabricación en materiales o de mano de obra bajo condiciones de uso doméstico normal, no comercial, del producto y no cubrirá lo siguiente: daños ocasionados durante el transporte, la entrega o la instalación o por uso distinto al previsto para este producto; producidos por modificación o alteración no autorizada del producto; productos a los que se le borraron, desfiguraron o cambiaron de forma alguna los números de serie de fabricación originales, o en los que no se puede leer con claridad; daños cosméticos como rayones, abolladuras o muescas, o cualquier daño al acabado del producto; daños producidos por abuso, uso incorrecto, infestación de plagas, accidentes, incendios, inundaciones u otros fenómenos de la naturaleza o casos de fuerza mayor; daños producidos por uso de equipos, herramientas, servicios, piezas, suministros, accesorios, aplicaciones, instalaciones, reparaciones, cableado externo o conectores no suministrados o autorizados por SAMSUNG; daños causados por corriente o voltaje incorrectos, sobretensión o fluctuación de la línea eléctrica; daños causados por no operar o mantener el producto como establecen las instrucciones; instrucción a domicilio sobre el uso del producto; servicio técnico para el arreglo de instalaciones que no se adecuan a los códigos de electricidad y fontanería o arreglo de conexiones eléctricas o de fontanería del hogar (por ejemplo, arreglos de cableado, fusibles o tuberías de la toma de agua). El costo de reparación o remplazo bajo estas circunstancias excluidas le corresponderá al cliente.

Las visitas de un técnico de servicio autorizado para explicar las funciones, el mantenimiento o la instalación del producto no están cubiertas por esta garantía limitada. Comuníquese con SAMSUNG al número que figura a continuación si necesita asistencia en los anteriores casos.

### **EXCLUSIÓN DE GARANTÍAS IMPLÍCITAS**

GARANTÍAS TÁCITAS, INCLUYENDO LAS GARANTÍAS DE COMERCIABILIDAD O APTITUD PARA UN PROPÓSITO ESPECIAL, POSEEN UN TÉRMINO LIMITADO DE UN AÑO O EL PERÍODO MÁS CORTO PERMITIDO POR LA LEY. Algunos Estados no permiten limitaciones en cuanto al plazo de una garantía implícita, por lo tanto las limitaciones o exclusiones antedichas pueden no aplicarse en su caso. Esta garantía le otorga derechos específicos, e incluso puede otorgarle otros derechos que varían de un estado a otro.

### **LIMITACIÓN DE COMPENSACIÓN**

SU ÚNICA COMPENSACIÓN ES LA REPARACIÓN DEL PRODUCTO, EL REMPLAZO DEL PRODUCTO O LA DEVOLUCIÓN DEL MONTO DE LA COMPRA, SEGÚN DECIDA SAMSUNG, DE ACUERDO A LO ESTIPULADO EN ESTA GARANTÍA LIMITADA. SAMSUNG NO SERÁ RESPONSABLE DE DAÑOS IMPREVISTOS O DERIVADOS, QUE INCLUYEN PERO NO SE LIMITAN AL TIEMPO Y FORMA DEL TRABAJO, HOTELES Y/O COMIDAS DE RESTAURANTES, GASTOS DE REMODELACIÓN, PÉRDIDA DE INGRESOS O GANANCIAS, NO OBTENCIÓN DE AHORROS U OTROS BENEFICIOS SIN IMPORTAR LA TEORÍA JURÍDICA EN LA QUE SE BASA EL RECLAMO, INCLUSO SI SE HA NOTIFICADO A SAMSUNG QUE TALES DAÑOS ERAN POSIBLES. Algunos estados no permiten la exclusión o limitación de daños imprevistos o derivados, por lo tanto las limitaciones o las exclusiones nombradas anteriormente podrían no aplicarse. Esta garantía le otorga derechos específicos, e incluso puede otorgarle otros derechos que varían de un estado a otro.

# GARANTÍA LIMITADA (EE.UU.)

---

SAMSUNG no garantiza un funcionamiento ininterrumpido y sin fallas del producto. Ninguna otra garantía otorgada por persona, compañía o corporación alguna con respecto al presente producto revestirá carácter vinculante para SAMSUNG.

Para obtener el servicio de garantía, pónganse en contacto con SAMSUNG en:

Samsung Electronics America, Inc.  
85 Challenger Road  
Ridgefield Park, NJ 07660  
1-800-SAMSUNG (726-7864)  
[www.samsung.com/us/support](http://www.samsung.com/us/support)

# Aviso regulatorio

---

## Aviso de la FCC

---

### **PRECAUCIÓN FCC:**

Todos los cambios y modificaciones que no cuenten con la aprobación expresa de la parte responsable del cumplimiento pueden invalidar la autoridad del usuario para operar el equipo.

Contiene módulo transmisor FCC ID: A3LCWAM210S

Este dispositivo cumple con la sección 15 de las Normas de la FCC. El funcionamiento se encuentra sujeto a las siguientes dos condiciones:

- (1) Este aparato no puede causar interferencia dañina y
- (2) Este aparato debe aceptar la recepción de cualquier interferencia, incluidas aquellas que causen un funcionamiento indeseado.

En los productos disponibles en los mercados de los Estados Unidos y Canadá, solo están disponibles los canales 1 a 11.

No es posible seleccionar otros canales.

### **DECLARACIÓN DE LA FCC:**

Este equipo ha sido sometido a pruebas y se ha determinado que se encuentra dentro de los límites para los dispositivos digitales clase B, de acuerdo con la sección 15 de las Normas de la FCC. Dichos límites han sido diseñados para proporcionar una protección razonable contra la interferencia dañina en una instalación residencial.

Este equipo genera, utiliza y puede irradiar energía de frecuencias de radio y, si no se lo instala y utiliza de acuerdo con las instrucciones, pueden producirse interferencias en las comunicaciones de radio. Sin embargo, no existe garantía alguna de que no habrá interferencia en una instalación determinada. Si el equipo provoca interferencia dañina a la recepción de radio o televisión, que puede determinarse al encender y apagar el equipo, se sugiere que el usuario trate de corregir la interferencia mediante una o más de las siguientes medidas:

- Reorientar o reubicar la antena receptora
- Aumentar la distancia entre el equipo y el receptor
- Conectar el equipo en un tomacorriente que está en un circuito diferente que el receptor.
- Consultar a su distribuidor o a un técnico experimentado en radio/TV para obtener ayuda.

### **DECLARACIÓN DE LA FCC SOBRE LA EXPOSICIÓN A LA RADIACIÓN:**

Este equipo cumple con los límites de exposición a la radiación establecidos por la FCC para un entorno no controlado.

Este equipo debe instalarse y utilizarse con una distancia mínima de 8 pulgadas (20 cm) entre el radiador y su cuerpo. Este aparato y sus antenas no deben ubicarse ni utilizarse junto con ninguna otra antena o transmisor excepto si se cumplen los procedimientos de la FCC para productos transmisores múltiples.

# Aviso regulatorio

---

## Aviso de la IC

---

Contiene módulo de transmisor IC: 649E-CWAM210S

El término "IC" antes del número de certificación de radio solo significa que cumple con las especificaciones técnicas de la Industria de Canadá. El funcionamiento se encuentra sujeto a las siguientes dos condiciones: (1) Este aparato no puede causar interferencia dañina, y (2) este aparato debe aceptar la recepción de cualquier interferencia, incluidas aquellas que puedan causar un funcionamiento indeseado. Este aparato digital Clase B cumple con el ICES-003 de Canadá.

Cet appareil numérique de la classe B est conforme à la norme NMB-003 du Canada.

En los productos disponibles en los mercados de los Estados Unidos y Canadá, solo están disponibles los canales 1 a 11. No es posible seleccionar otros canales.

### **DECLARACIÓN IC SOBRE LA EXPOSICIÓN A LA RADIACIÓN:**

Este equipo cumple con los límites de exposición a la radiación establecidos por la IC RSS-102 para un entorno no controlado. Este equipo debe instalarse y utilizarse con una distancia mínima de 8 pulgadas (20 cm) entre el radiador y su cuerpo. Este aparato y sus antenas no deben ubicarse ni utilizarse junto con ninguna otra antena o transmisor excepto si se cumplen los procedimientos de la FCC para productos transmisores múltiples.

**GUARDE ESTAS INSTRUCCIONES**

# Notas

---



# Notas

---

# Notas

---

## Contacte a SAMSUNG WORLD WIDE

Si tiene preguntas o comentarios relacionados con los productos Samsung, póngase en contacto con el Servicio de Atención al Cliente de SAMSUNG.

País	Centro de contacto	Sitio web
U.S.A	1-800-SAMSUNG (726-7864) 1-844-SAM-PAYS (726-7297)	<a href="http://www.samsung.com/us/support">www.samsung.com/us/support</a>
CANADA	1-800-SAMSUNG (726-7864) 1-844-SAM-PAYS (726-7297)	<a href="http://www.samsung.com/ca/support">www.samsung.com/ca/support</a> (English) <a href="http://www.samsung.com/ca_fr/support">www.samsung.com/ca_fr/support</a> (French)



DA68-03832A-01



# Réfrigérateur

## Guide d'utilisation

Appareil amovible

**SAMSUNG**



# Sommaire

---

<b>Consignes de sécurité</b>	<b>4</b>
Ce que vous devez savoir au sujet des consignes de sécurité	4
Consignes de sécurité importantes et symboles :	5
Avertissement concernant la proposition 65 de l'État de la Californie	5
Consignes de sécurité importantes	5
Symboles d'avertissement importants concernant le transport et le lieu d'installation de l'appareil	7
Avertissements importants concernant l'installation	8
Installation en toute sécurité	10
Avertissements importants concernant l'utilisation	10
Utilisation en toute sécurité	13
Nettoyage en toute sécurité	14
Avertissements importants concernant la mise au rebut	15
<b>Installation</b>	<b>16</b>
Présentation rapide du réfrigérateur	16
Installation étape par étape	19
<b>Opérations</b>	<b>40</b>
Panneau principal	40
SmartThings	50
Fonction SMART GRID (Réponse à la demande)	53
Panneau du distributeur	58
Fonctions spéciales	59
<b>Maintenance</b>	<b>65</b>
Utilisation et entretien	65
Nettoyage	74
Remplacement	75



---

<b>Dépannage</b>	<b>77</b>
<hr/>	
Généralités	77
Entendez-vous des sons anormaux provenant du réfrigérateur?	81
SmartThings	83
Smart Grid (modèles applicables uniquement)	84
<b>Informations relatives à la garantie (CANADA)</b>	<b>85</b>
<hr/>	
Si votre réfrigérateur doit être réparé	85
Garantie limitée à l'acheteur initial	85
Obligation du propriétaire initial	85
Exclusions de la garantie	86
<b>Avis d'application de la réglementation</b>	<b>87</b>
<hr/>	
Avis de la FCC	87
Avis d'IC	88



# Consignes de sécurité

---

Avant d'utiliser votre nouveau réfrigérateur Samsung, veuillez lire attentivement ce guide afin de vous assurer que vous savez comment utiliser de manière sûre et efficace ses différentes fonctionnalités.

## Ce que vous devez savoir au sujet des consignes de sécurité

---

- Cet appareil n'est pas conçu pour être utilisé par des personnes (y compris des enfants) manquant d'expérience et de connaissances, ou dont les capacités physiques, sensorielles ou mentales sont réduites, sauf si celles-ci sont sous la surveillance ou ont reçu les instructions d'utilisation appropriées de la personne responsable de leur sécurité. Il est nécessaire de surveiller les enfants pour s'assurer qu'ils ne jouent pas avec l'appareil.
- Les instructions suivantes concernent plusieurs modèles; il est donc possible que les caractéristiques de votre réfrigérateur soient légèrement différentes de celles spécifiées dans ce guide.
- Pour toute question, communiquez avec nous au 1-800-SAMSUNG ou connectez-vous sur [www.samsung.com](http://www.samsung.com).
- Le gaz réfrigérant qui pourrait s'échapper des tuyaux risquerait de s'enflammer ou de provoquer des lésions oculaires. En cas de fuite de réfrigérant, n'approchez pas de flamme nue, éloignez tout objet inflammable de l'appareil et aérez immédiatement la pièce.
  - Le non-respect de cette consigne risquerait de provoquer un incendie ou une explosion.
- Toute utilisation non conforme de la fiche de mise à la terre peut présenter un risque de choc électrique. Si l'utilisation d'une rallonge s'avère nécessaire, utilisez uniquement une rallonge à trois fils munie d'une fiche de mise à la terre à trois broches que vous brancherez dans une prise à trois alvéoles compatible avec la fiche de l'appareil. Les caractéristiques électriques de la rallonge doivent être de 115-120 V c.a. et 10 A minimum. Si un adaptateur de mise à la terre est utilisé, vérifiez que la boîte de prise de courant est entièrement mise à la terre.





## Consignes de sécurité importantes et symboles :

Veillez suivre toutes les instructions relatives à la sécurité fournies dans le présent manuel. Le présent manuel utilise les symboles de sécurité suivants.

### **AVERTISSEMENT**

Risques ou manipulations dangereuses susceptibles d'entraîner des **blessures graves, des dégâts matériels et/ou la mort.**

### **ATTENTION**

Risques ou manipulations dangereuses susceptibles d'entraîner des **blessures graves et/ou des dégâts matériels.**

### **REMARQUE**

Informations utiles qui aident l'utilisateur à comprendre ou utiliser le réfrigérateur.

Ces symboles d'avertissement ont pour but d'éviter tout risque de blessure.

Respectez-les en toutes circonstances.

Lisez attentivement la présente section et conservez le guide en lieu sûr afin de pouvoir le consulter ultérieurement.

## Avertissement concernant la proposition 65 de l'État de la Californie

### **AVERTISSEMENT**

Cancer et Troubles de l'appareil reproducteur - [www.P65Warnings.ca.gov](http://www.P65Warnings.ca.gov).

## Consignes de sécurité importantes



Avertissement : risque d'incendie / matériaux inflammables

### **AVERTISSEMENT**

- Le gaz réfrigérant utilisé est le R-600a. Ce produit contient du gaz inflammable (gaz réfrigérant R-600a) ; veuillez communiquer avec les autorités locales pour obtenir des renseignements sur la mise au rebut en toute sécurité de votre appareil.
- Afin d'éviter la création d'un mélange gaz-air inflammable lorsqu'une fuite se produit dans le circuit frigorifique, la taille de la pièce où l'appareil peut être placé doit être déterminée en fonction de la quantité de gaz réfrigérant utilisée. La pièce doit avoir un volume de 35,3 pi<sup>3</sup> pour chaque 8 g de gaz réfrigérant R-600a à l'intérieur de l'appareil.





# Consignes de sécurité

- L'emplacement choisi pour l'installation ne doit pas être exposé à la lumière directe du soleil et ne doit pas être placé à proximité d'une source de chaleur ou d'un autre appareil électrique, par exemple d'une cuisinière, d'un four, d'une plaque chauffante ou encore d'un radiateur.
- Pour des raisons de sécurité, si vous utilisez deux produits côte à côté, assurez-vous d'utiliser des produits certifiés dans les atmosphères contenant des gaz explosifs.
- Ne démarrez jamais un appareil qui présente des signes d'endommagement. En cas de doutes, communiquez avec votre revendeur.
- Si le cordon d'alimentation est endommagé, il doit être remplacé par le fabricant, un fournisseur de service ou toute autre personne qualifiée afin d'éviter tout risque.
- La prise doit être facilement accessible afin de pouvoir rapidement débrancher l'appareil de l'alimentation en cas d'urgence. Elle ne doit pas se situer derrière l'appareil.
- Dans cet appareil, ne stockez pas de substances explosives telles que des aérosols avec un propulseur inflammable.
- Les jeux de tuyaux neufs fournis avec l'appareil doivent être utilisés et les anciens ne doivent pas être réutilisés.
- Lors du positionnement de l'appareil, assurez-vous que le cordon d'alimentation n'est pas coincé ou endommagé.
- Ne placez pas plusieurs rallonges électriques ou sources d'alimentation portables à l'arrière de l'appareil.

## **AVERTISSEMENT**

- Le système contient du gaz réfrigérant sous haute pression. Ne trafiquez pas le système. Il doit être entretenu par une personne qualifiée uniquement.
- Remplissez d'eau potable uniquement.
- N'obstruez pas les orifices de ventilation à l'intérieur du caisson de l'appareil ou à l'intérieur de la structure encastrée.
- N'utilisez pas d'appareil mécanique ni de dispositif susceptible d'accélérer le processus de décongélation, autres que ceux recommandés par le fabricant.
- N'endommagez pas le circuit de réfrigération.
- N'utilisez pas d'appareils électriques à l'intérieur du compartiment de stockage des aliments de l'appareil, sauf s'il s'agit d'un appareil recommandé par le fabricant.
- Raccordez le réfrigérateur à une source d'eau potable uniquement.
- Afin d'éviter tout risque d'instabilité de l'appareil, il devra être fixé conformément aux instructions.
- Le système de réfrigération est sous haute pression. Ne le trafiquez pas. Contactez un technicien qualifié avant la mise au rebut.

## **DANGER**

- Les enfants risqueraient de se retrouver enfermés. Avant de jeter votre vieux réfrigérateur ou congélateur :
  - Retirez les portes.
  - Ne retirez pas les clayettes afin que les enfants ne puissent pas facilement monter à l'intérieur de l'appareil.



## ATTENTION

- Risque d'incendie ou d'explosion. Gaz réfrigérant inflammable utilisé. N'utilisez pas d'appareils mécaniques pour dégivrer le réfrigérateur. Ne percez pas le tube de gaz réfrigérant.
- Risque d'incendie ou d'explosion. Gaz réfrigérant inflammable utilisé. Les réparations doivent être effectuées uniquement par un personnel d'entretien qualifié. Ne percez pas le tube de gaz réfrigérant.
- Risque d'incendie ou d'explosion. Gaz réfrigérant inflammable utilisé. Consultez le guide de réparation/Guide d'utilisation avant de tenter une intervention sur ce produit. Toutes les consignes de sécurité doivent être respectées.
- Risque d'incendie ou d'explosion. Procédez correctement à la mise au rebut en respectant les réglementations fédérales ou locales en vigueur. Gaz réfrigérant inflammable utilisé.
- Risque d'incendie ou d'explosion en cas de perforation de tube de gaz réfrigérant ; respectez scrupuleusement les instructions de manipulation. Gaz réfrigérant inflammable utilisé.
- Afin d'éviter tout risque d'enfermement des enfants, conservez hors de la portée des enfants et à distance du congélateur ou du réfrigérateur.

### **Cet appareil est destiné à être utilisé dans les applications domestiques et similaires telles que les**

- zones de cuisine du personnel dans les magasins, bureaux et autres environnements de travail ;
- fermes et clients d'hôtels, motels et autres environnements de type résidentiel ;
- environnement de type « chambres d'hôtes » ;
- applications de restauration et collectives similaires.

## **Symboles d'avertissement importants concernant le transport et le lieu d'installation de l'appareil**

### AVERTISSEMENT

- Veillez à ce qu'aucune pièce du circuit frigorifique ne soit endommagée pendant le transport ou l'installation de l'appareil.
  - Risque d'incendie ou de lésions oculaires en cas de fuite de réfrigérant. En cas de fuite, n'approchez pas de flamme nue ou de source d'inflammation potentielle et aérez la pièce pendant plusieurs minutes.
  - Cet appareil contient une faible quantité de réfrigérant isobutane (R-600a), un gaz naturel présentant une compatibilité écologique élevée, mais qui est aussi inflammable.

# Consignes de sécurité

## Avertissements importants concernant l'installation

### AVERTISSEMENT

- N'installez pas le réfrigérateur dans un lieu humide ou dans un lieu où il est susceptible d'être en contact avec de l'eau.
  - Une détérioration de l'isolation sur des composants électriques est susceptible de provoquer un choc électrique ou un incendie.
- N'installez pas le réfrigérateur dans un endroit exposé à la lumière directe du soleil ou à proximité d'une cuisinière, d'un appareil de chauffage ou d'autres appareils.
- Ne branchez pas plusieurs appareils dans la même multiprise. Le réfrigérateur doit toujours être branché dans une prise de courant indépendante dotée d'une tension nominale correspondant à celle figurant sur la plaque signalétique du réfrigérateur.
  - Ceci permet de bénéficier de performances optimales mais également d'éviter une surcharge des circuits électriques de la maison, ce qui pourrait entraîner une surchauffe des fils et présenter un risque d'incendie.
- Ne branchez pas la fiche d'alimentation dans une prise murale mal fixée.
  - Cela risquerait d'entraîner un choc électrique ou un incendie.
- N'utilisez pas de cordon dont la gaine est craquelée ou endommagée à quelque endroit ou à l'une de ses extrémités.
- Ne pliez pas le cordon d'alimentation à l'excès et ne posez pas d'objets lourds dessus.
- Ne tirez pas ou ne pliez pas excessivement le cordon d'alimentation.
- Ne tordez pas ou ne nouez pas le cordon d'alimentation.
- N'accrochez pas le cordon d'alimentation sur un objet métallique, ne placez pas un objet lourd sur le cordon d'alimentation, n'insérez pas le cordon d'alimentation entre des objets, ou n'enfoncez pas le cordon d'alimentation dans l'espace situé derrière l'appareil.
- Lorsque vous déplacez le réfrigérateur, assurez-vous qu'il ne roule pas sur le cordon d'alimentation, et prenez garde de ne pas endommager ce dernier.
  - Un choc électrique ou un incendie pourraient en résulter.
- Ne débranchez jamais le réfrigérateur en tirant sur le cordon d'alimentation. Maintenez toujours fermement la fiche pour la débrancher de la prise de courant.
  - Tout dommage causé au cordon est susceptible d'entraîner un court-circuit, un incendie et/ou un choc électrique.
- N'installez pas cet appareil près d'une source de chaleur ni d'un matériau inflammable.
- N'installez pas cet appareil dans un endroit où des fuites de gaz sont susceptibles de se produire.
  - Un choc électrique ou un incendie pourraient en résulter.
- Ce réfrigérateur doit être correctement situé et installé conformément aux instructions du présent guide avant d'être utilisé.

- Branchez la fiche d'alimentation de façon à ce que le cordon pende vers le bas.
  - Si vous branchez la fiche d'alimentation à l'envers, le fil est susceptible de se rompre et de provoquer un incendie ou un choc électrique.
- Assurez-vous que la fiche d'alimentation n'est pas écrasée ou endommagée par le dos du réfrigérateur.
- Gardez les matériaux d'emballage hors de portée des enfants.
  - Il y a un risque d'asphyxie si un enfant place les matériaux d'emballage sur sa tête.
- L'appareil doit être positionné de façon à ce que la fiche reste accessible après l'installation.
  - Le non-respect de cette consigne risquerait de provoquer un choc électrique ou un incendie en raison de fuites électriques.
- N'installez pas cet appareil dans un lieu humide, huileux ou poussiéreux, ni dans un endroit exposé directement au soleil ou à l'eau (gouttes de pluie).
  - Une détérioration de l'isolation sur des composants électriques est susceptible de provoquer un choc électrique ou un incendie.
- Si de grandes quantités de poussière ou d'eau entrent dans le réfrigérateur, débranchez la fiche et prenez contact avec un centre de service Samsung Electronics.
  - Sinon, il pourrait y avoir un risque d'incendie.
- Ne montez pas sur l'appareil et ne placez pas d'objets (tels que du linge, des bougies allumées, des cigarettes allumées, de la vaisselle, des produits chimiques, des objets métalliques, etc.) sur celui-ci.
  - Le non-respect de cette consigne risque d'entraîner un choc électrique, un incendie, un dysfonctionnement de l'appareil ou des blessures corporelles.
- Vous devez retirer toutes les pellicules protectrices en plastique avant de brancher l'appareil pour la première fois.
- Les enfants doivent être sous surveillance afin de s'assurer qu'ils ne jouent pas avec les circlips utilisés pour l'ajustement de la porte ou avec les brides du tuyau d'eau.
  - Il existe un risque de mort par suffocation si un enfant avale un circlip ou une bride du tuyau d'eau. Tenez les circlips et les brides du tuyau d'eau hors de portée des enfants.
- Le réfrigérateur doit être correctement mis à la terre.
  - Veillez toujours à ce que le réfrigérateur soit branché à la terre avant de vérifier ou de réparer n'importe quelle partie de l'appareil. Les fuites électriques peuvent provoquer des chocs électriques graves.
- N'utilisez jamais de conduites de gaz, de fils téléphoniques ou d'autres éléments susceptibles d'attirer la foudre pour relier l'appareil à la terre.
  - Le réfrigérateur doit être mis à la terre afin d'éviter les dissipations d'énergie ou les chocs électriques provoqués par les fuites de courant de l'appareil.
  - Le non-respect de cette consigne risque d'entraîner un choc électrique, un incendie, une explosion ou un dysfonctionnement de l'appareil.
- Branchez fermement la fiche dans la prise murale. N'utilisez pas de fiche d'alimentation endommagée, de cordon d'alimentation endommagé ou de prise murale mal fixée.
  - Un choc électrique ou un incendie pourraient en résulter.



# Consignes de sécurité

---

- Seul un technicien qualifié ou une société de service doit être autorisé(e) à changer le fusible dans le réfrigérateur.
  - Le non-respect de cette consigne risquerait de provoquer un choc électrique ou des blessures corporelles.

## Installation en toute sécurité

---

### ATTENTION

- Laissez un espace suffisant autour du réfrigérateur et installez celui-ci sur une surface plane.
  - N'obstruez pas l'espace de ventilation à l'intérieur du réfrigérateur ou de son caisson.
- Après avoir installé et mis sous tension votre réfrigérateur, laissez l'appareil au repos pendant 2 heures avant de le remplir d'aliments.
- Il est vivement recommandé de faire appel à un technicien qualifié ou à une entreprise de dépannage pour installer le réfrigérateur.
  - Le non-respect de cette consigne risque d'entraîner un dysfonctionnement, un choc électrique, un incendie, une explosion ou des blessures corporelles.
- Si vous surchargez l'une des portes, le réfrigérateur peut se renverser et vous pouvez vous blesser.

## Avertissements importants concernant l'utilisation

---

### AVERTISSEMENT

- Ne branchez pas la prise d'alimentation si vous avez les mains mouillées.
  - Cela pourrait causer un choc électrique.
- N'entrez pas d'objets sur le dessus de l'appareil.
  - Lors de l'ouverture ou de la fermeture de la porte, les objets pourraient tomber et provoquer des blessures corporelles et/ou des dommages matériels.
- Ne placez pas vos mains, vos pieds, ni des objets métalliques (baguettes métalliques, etc.) sous le réfrigérateur ou à l'arrière de celui-ci.
  - Un choc électrique ou des blessures corporelles pourraient en résulter.
  - Les bords coupants sont susceptibles de provoquer des blessures corporelles.
- Ne touchez pas les parois intérieures du congélateur ni les produits qui y sont rangés si vous avez les mains mouillées.
  - Risque de gelures.
- Ne placez pas de récipient rempli d'eau sur le réfrigérateur.
  - En cas de renversement, cela pourrait entraîner un incendie ou un choc électrique.



- Ne stockez pas d'objets ou de substances volatiles ou inflammables (benzène, diluant, propane, alcool, éther, gaz liquéfié et toute autre substance similaire) dans le réfrigérateur.
  - Le réfrigérateur a été conçu exclusivement pour le rangement de produits alimentaires.
  - Cela pourrait entraîner un incendie ou une explosion.
- Il est nécessaire de surveiller les enfants pour s'assurer qu'ils ne jouent pas avec l'appareil.
  - Maintenez les doigts éloignés des zones contenant des « points de pincement » ; Le jeu entre les portes et l'armoire doit nécessairement être faible. Soyez attentif lorsque vous ouvrez les portes si des enfants se trouvent à proximité.
- Ne laissez pas les enfants se suspendre à la porte de l'appareil ou aux bacs des portes. Ils risqueraient de se blesser.
- Ne laissez pas les enfants entrer dans le réfrigérateur. Ils risqueraient de rester emprisonnés.
- Ne placez pas vos mains sous l'appareil.
  - Les bords coupants sont susceptibles de provoquer des blessures corporelles.
- Ne rangez pas de produits pharmaceutiques, chimiques ou sensibles aux températures dans le réfrigérateur.
  - Les produits nécessitant un contrôle strict de la température ne doivent pas être entreposés dans le réfrigérateur.
- Ne placez pas et n'utilisez pas d'appareils électriques à l'intérieur du réfrigérateur/congélateur sauf s'il s'agit d'un type recommandé par le fabricant.
- Si l'appareil dégage de la fumée, débranchez-le immédiatement puis prenez contact avec un centre de service Samsung Electronics.
- Si de grandes quantités de poussière ou d'eau entrent dans le réfrigérateur, débranchez la fiche et prenez contact avec votre centre de service Samsung Electronics.
  - Sinon, il pourrait y avoir un risque d'incendie.
- Ne laissez pas les enfants monter sur un bac.
  - Le bac risquerait de se casser et de provoquer leur chute.
- Ne laissez pas les portes du réfrigérateur ouvertes lorsque l'appareil n'est pas sous surveillance et ne laissez pas les enfants se glisser à l'intérieur de l'appareil.
- Ne laissez pas les jeunes enfants s'approcher d'un tiroir.
  - Ils pourraient s'étouffer ou se blesser.
- Ne remplissez pas trop le réfrigérateur.
  - Lors de l'ouverture de la porte, un article pourrait tomber et provoquer des blessures corporelles ou des dommages matériels.
- Ne vaporisez pas de substance volatile telle qu'un insecticide sur la surface de l'appareil.
  - Ces produits peuvent s'avérer dangereux pour la santé et risquent en outre de provoquer un choc électrique, un incendie ou un dysfonctionnement de l'appareil.
- Ne mettez jamais les doigts ni d'objets dans la sortie du distributeur d'eau, le conduit d'écoulement ou le bac à glaçons.
  - Cela pourrait provoquer des blessures corporelles ou des dommages matériels.



# Consignes de sécurité

---

- N'utilisez pas ni n'entreposez pas de substances thermosensibles (ex. : pulvérisateurs ou objets inflammables, glace sèche, médicaments ou produits chimiques) à proximité ou à l'intérieur du réfrigérateur.
- N'utilisez pas de séchoir à cheveux pour sécher l'intérieur du réfrigérateur. Ne placez pas de bougie allumée à l'intérieur du réfrigérateur pour en éliminer les mauvaises odeurs.
  - Un choc électrique ou un incendie pourraient en résulter.
- Remplissez le réservoir et le bac à glaçons d'eau potable uniquement (eau du robinet, eau minérale ou eau purifiée).
  - Ne remplissez pas le réservoir avec du thé, du jus ou une boisson énergisante. Cela pourrait endommager le réfrigérateur.
- Ne montez pas sur l'appareil et ne placez pas d'objets (tels que du linge, des bougies allumées, des cigarettes allumées, de la vaisselle, des produits chimiques, des objets métalliques, etc.) sur celui-ci. Le non-respect de cette consigne risque d'entraîner un choc électrique, un incendie, un dysfonctionnement de l'appareil ou des blessures corporelles. Ne placez pas de récipient rempli d'eau sur l'appareil.
  - En cas de renversement, cela pourrait entraîner un incendie ou un choc électrique.
- Ne fixez jamais directement l'ampoule DEL UV pendant une période prolongée.
  - Cela risquerait d'entraîner une fatigue oculaire due aux rayons ultraviolets.
- Ne placez pas les tablettes dans le réfrigérateur à l'envers. La butée des tablettes ne fonctionnera pas.
  - La tablette en verre pourrait tomber et provoquer des blessures corporelles.
- Maintenez les doigts éloignés des zones contenant des « points de pincement » ; Le jeu entre les portes et l'armoire doit nécessairement être faible. Soyez attentif lorsque vous ouvrez les portes si des enfants se trouvent à proximité.
- Si une fuite de gaz est détectée, évitez toute flamme nue ou source potentielle d'inflammation et aérez pendant plusieurs minutes la pièce dans laquelle se trouve l'appareil.
  - Ne touchez pas à l'appareil ou au cordon d'alimentation.
  - N'utilisez pas de ventilateur.
  - Une étincelle risquerait de provoquer une explosion ou un incendie.
- Utilisez uniquement les ampoules DEL fournies par le fabricant ou son réparateur autorisé.
- Serrez les bouteilles les unes contre les autres pour éviter qu'elles ne glissent ou ne tombent.
- Cet appareil est destiné au rangement des aliments dans un environnement domestique uniquement.
- Ne mettez jamais les doigts ni d'objets dans la sortie du distributeur d'eau, le conduit d'écoulement ou le bac à glaçons.
  - Cela peut provoquer des blessures corporelles ou des dommages matériels.
- Ne tentez pas de réparer, démonter ou modifier le réfrigérateur vous-même.
  - Des modifications non autorisées peuvent générer des problèmes de sécurité. Pour annuler une modification non autorisée, nous facturons le coût total des pièces et de la main d'œuvre.
- N'utilisez aucun fusible (tel que du cuivre, un fil d'acier, etc.) autre qu'un fusible standard.
- Si votre réfrigérateur doit être réparé ou réinstallé, contactez le centre de service Samsung le plus près.
  - Le non-respect de cette consigne risque d'entraîner un dysfonctionnement, un choc électrique, un incendie ou des blessures corporelles.



- Veuillez contacter votre centre de service Samsung le plus près lorsque l'ampoule DEL intérieure ou extérieure est grillée.
- Si le réfrigérateur dégage une odeur de brûlé ou de la fumée, débranchez-le immédiatement et prenez contact avec un centre de service Samsung.
  - Le non-respect de cette consigne risquerait de provoquer un incendie ou un choc électrique.
- Débranchez le réfrigérateur avant de remplacer les ampoules intérieures.
  - Sinon, il pourrait y avoir un risque de choc électrique.
- Communiquez avec votre centre de service Samsung si vous éprouvez des difficultés à remplacer une ampoule (qui n'est pas une DEL).
- Si l'appareil est équipé d'ampoules DEL, ne démontez pas vous-même les caches des lampes et les ampoules.
  - Contactez un centre de service Samsung.
- Branchez fermement la fiche dans la prise murale.
- N'utilisez pas de fiche d'alimentation endommagée, de cordon d'alimentation endommagé ou de prise murale mal fixée.
  - Un choc électrique ou un incendie pourraient en résulter.

## Utilisation en toute sécurité

### ATTENTION

- Ne recongelez pas un aliment qui a complètement décongelé.
- Utilisez uniquement la machine à glaçons fournie avec le réfrigérateur.
- Pour un fonctionnement optimal de l'appareil :
  - Ne placez pas d'aliments trop près des orifices de ventilation à l'arrière du réfrigérateur car ils pourraient empêcher la libre circulation de l'air dans la partie réfrigération.
  - Emballez bien les aliments ou mettez-les dans des récipients hermétiques avant de les placer dans le réfrigérateur.
  - Respectez les durées de congélation et les dates de péremption associées aux aliments surgelés.
- Ne placez pas de récipients ou de bouteilles en verre ni de boissons gazeuses dans le congélateur.
  - Le récipient peut geler et se briser, ce qui peut entraîner une blessure.
- Garantie de réparation et modification.
  - Les changements et modifications apportés à cet appareil par un tiers ne sont pas couverts par le service de garantie Samsung. Samsung ne peut être tenue responsable des problèmes de sécurité résultant des modifications apportées par un tiers.
- N'obstruez pas les orifices de ventilation à l'intérieur du réfrigérateur.
  - Si les ventilations d'air sont obstruées, notamment par un sac en plastique, le réfrigérateur risque de trop refroidir. Une période de refroidissement trop longue risque d'endommager le filtre à eau et de provoquer des fuites.





# Consignes de sécurité

---

- Si le réfrigérateur est débranché de la prise d'alimentation, patientez au moins cinq minutes avant de le rebrancher.
- Si de grandes quantités d'eau entrent dans le réfrigérateur, débranchez la fiche d'alimentation et prenez contact avec un centre de service Samsung.
- Ne frappez pas une surface en verre ou n'y appliquez pas une force excessive.
  - Du verre brisé pourrait entraîner des blessures corporelles et/ou des dommages.
- Remplissez le réservoir et le bac à glaçons d'eau potable uniquement (eau du robinet, eau minérale ou eau purifiée).
  - Ne remplissez pas le réservoir avec du thé, du jus ou une boisson énergisante. Cela pourrait endommager le réfrigérateur.
- Si le réfrigérateur est inondé, coupez l'alimentation de ce dernier et prenez contact avec votre centre de service Samsung le plus près.
  - Un choc électrique ou un incendie pourraient en résulter.
- Ne conservez pas d'huile végétale dans les bacs de la porte de votre réfrigérateur. L'huile risque de se solidifier, de prendre un goût infect et de devenir difficile à utiliser. De plus, le récipient ouvert peut fuir et l'huile qui a coulé risque de faire fissurer le bac de la porte. Après avoir ouvert un récipient d'huile, le mieux est de le conserver dans un endroit frais et à l'abri de la lumière, comme un placard ou un cellier.
  - Exemples d'huile végétale : huile d'olive, huile de maïs, huile de pépins de raisin, etc.

## Nettoyage en toute sécurité

---

### ATTENTION

- Ne vaporisez pas directement de l'eau à l'intérieur ou à l'extérieur du réfrigérateur.
  - Risque d'incendie ou de choc électrique.
- N'utilisez pas de séchoir à cheveux pour sécher l'intérieur du réfrigérateur.
- Ne placez pas de bougie allumée à l'intérieur du réfrigérateur pour en éliminer les mauvaises odeurs.
  - Un choc électrique ou un incendie pourraient en résulter.
- Ne vaporisez pas de produit de nettoyage directement sur l'écran.
  - Les caractères imprimés risqueraient de s'effacer.
- Si un corps étranger tel que de l'eau a pénétré dans l'appareil, débranchez ce dernier et contactez le centre de service Samsung le plus près.
  - Le non-respect de cette consigne risquerait de provoquer un incendie ou un choc électrique.
- Utilisez un chiffon propre et sec pour éliminer toute poussière ou corps étranger des lames de la fiche d'alimentation. N'utilisez pas de chiffon mouillé ou humide lors du nettoyage de la prise.
  - Sinon, il pourrait y avoir un risque d'incendie ou de choc électrique.
- Ne nettoyez pas l'appareil en vaporisant de l'eau directement sur celui-ci.
- N'utilisez pas de benzène, de diluant ou d'eau de Javel (Clorox) pour le nettoyage du réfrigérateur.
  - Ces produits risquent d'endommager la surface de l'appareil et de provoquer un incendie.



- Ne mettez jamais les doigts ni d'objets dans la sortie du distributeur.
  - Cela peut provoquer des blessures corporelles ou des dommages matériels.
- Débranchez l'appareil de la prise murale avant de le nettoyer et d'en faire l'entretien.
  - Le non-respect de cette consigne risquerait de provoquer un incendie ou un choc électrique.
- Utilisez une éponge propre ou un chiffon doux avec un nettoyant doux et de l'eau tiède pour nettoyer le réfrigérateur.
- N'utilisez pas de nettoyants abrasifs ou agressifs (produits à vitres, produits de décapage, liquides inflammables, acide chlorhydrique, cires nettoyantes, produits de nettoyage concentrés, agents de blanchissage ou produits de nettoyage contenant du pétrole) sur les surfaces extérieures (portes et meuble), les pièces en plastique, les revêtements intérieurs et de la porte, et les joints.
  - Ces produits risquent de rayer ou d'endommager le matériau.
- Ne nettoyez pas les clayettes en verre ou les caches avec de l'eau tiède lorsqu'ils sont froids. Les clayettes en verre et les caches risquent de se casser s'ils sont exposés à des changements soudains de température ou à des chocs (coups ou chutes).

## Avertissements importants concernant la mise au rebut

### AVERTISSEMENT

- Les enfants qui se retrouvent coincés à l'intérieur peuvent se blesser ou suffoquer et en mourir.
- Jetez le matériel d'emballage de cet appareil dans le respect de l'environnement.
- Assurez-vous qu'aucun des tuyaux situés à l'arrière du réfrigérateur n'est endommagé avant sa mise au rebut.
- Le gaz réfrigérant utilisé est le R-600a. Ce produit contient du gaz inflammable (gaz réfrigérant R-600a) ; veuillez communiquer avec les autorités locales pour obtenir des renseignements sur la mise au rebut en toute sécurité de votre appareil.
- Lors de la mise au rebut de ce réfrigérateur, retirez la porte/les joints de porte ainsi que le loquet de la porte afin que des petits enfants ou des animaux ne puissent pas se retrouver enfermés à l'intérieur. Il est nécessaire de surveiller les enfants pour s'assurer qu'ils ne jouent pas avec l'appareil.
  - S'il se retrouve emprisonné à l'intérieur, l'enfant risquerait de se blesser ou de s'asphyxier.
- Du cyclopentane est utilisé comme isolant. Les gaz utilisés pour l'isolation nécessitent une procédure d'élimination spéciale. Pour obtenir des renseignements sur la façon écologique de mettre ce produit au rebut, veuillez communiquer avec les autorités locales.
- Conservez les matériaux d'emballage hors de portée des enfants, car ils présentent un danger pour ces derniers.
  - Un enfant pourrait suffoquer s'il met sa tête dans un sac.

# Installation

Avant toute utilisation, respectez scrupuleusement ces consignes pour assurer une installation adéquate du réfrigérateur et éviter les accidents.

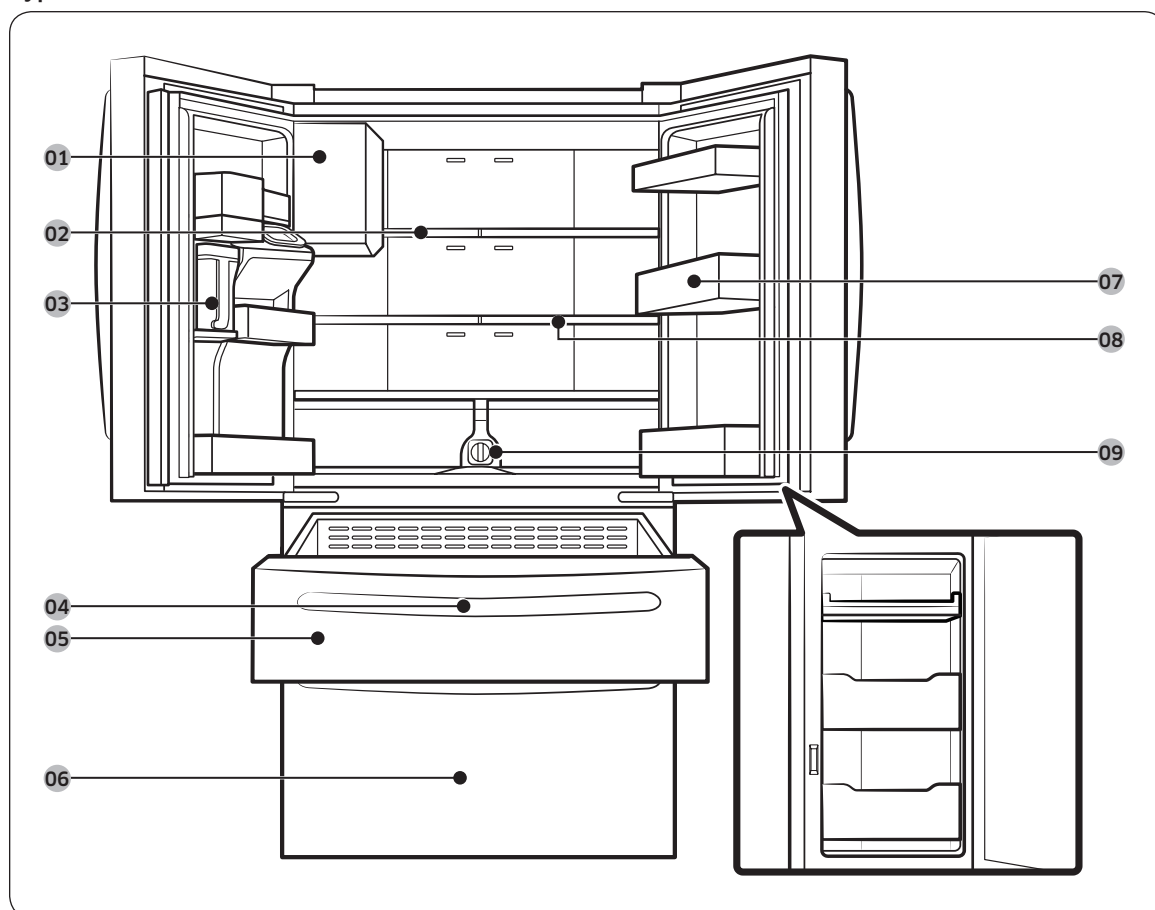
## ⚠️ AVERTISSEMENT

- N'utilisez ce réfrigérateur que conformément à l'usage auquel il est destiné, en suivant scrupuleusement les instructions du manuel.
- Toute opération de maintenance doit être effectuée par un technicien qualifié.
- Jetez le matériel d'emballage de cet appareil conformément aux réglementations locales.
- Pour éviter tout risque d'électrocution, débranchez le cordon d'alimentation avant d'opérer l'entretien ou le remplacement de pièces.

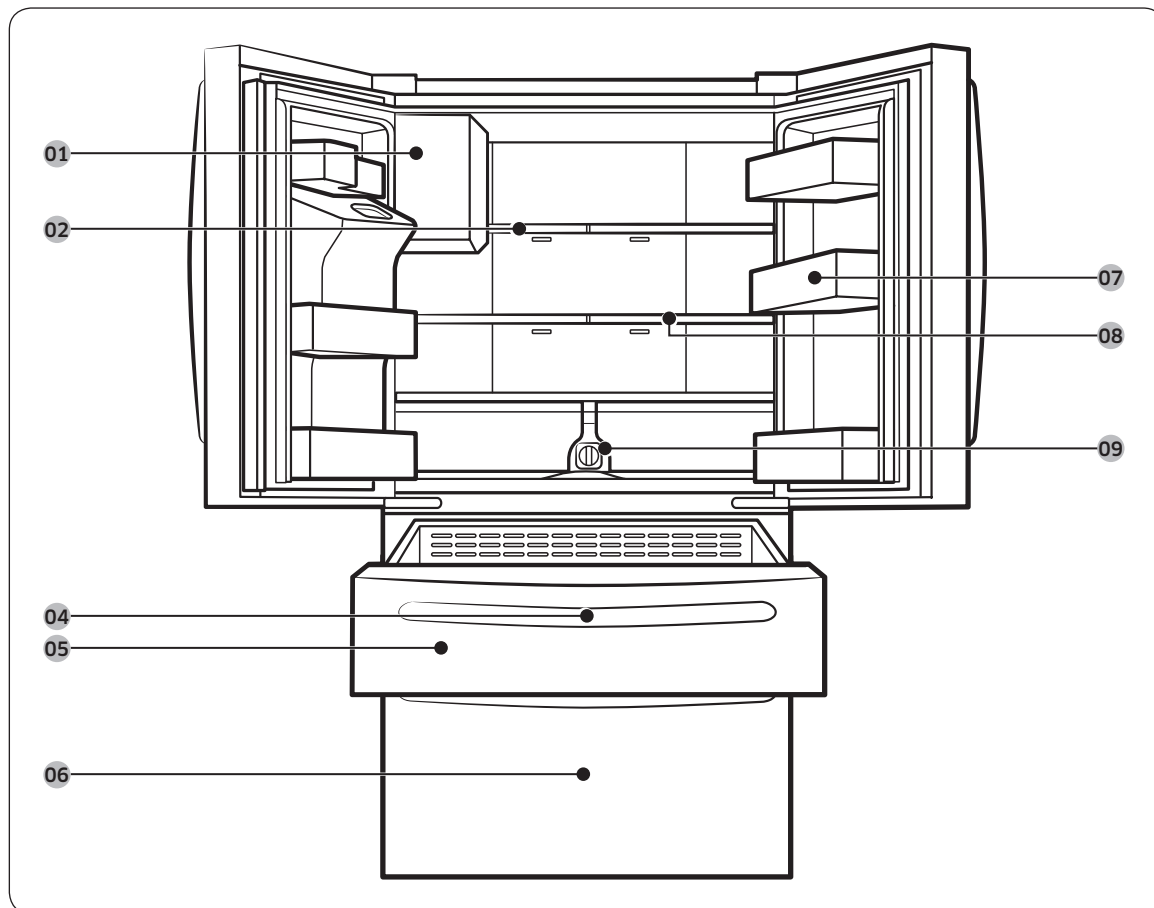
## Présentation rapide du réfrigérateur

Le réfrigérateur et les composants fournis peuvent différer des illustrations présentées dans ce manuel selon les modèles et les pays.

### Type A



## Type B



- 01 Machine à glaçons automatique
- 02 Clayette pliante en une fois
- 03 Réservoir à eau (Remplissage automatique en eau)
- 04 Panneau principal (sur la poignée de la FlexZone™)
- 05 FlexZone™
- 06 Congélateur
- 07 Bacs de la porte
- 08 Clayette pliante en deux fois
- 09 Filtre à eau

\* modèles applicables uniquement

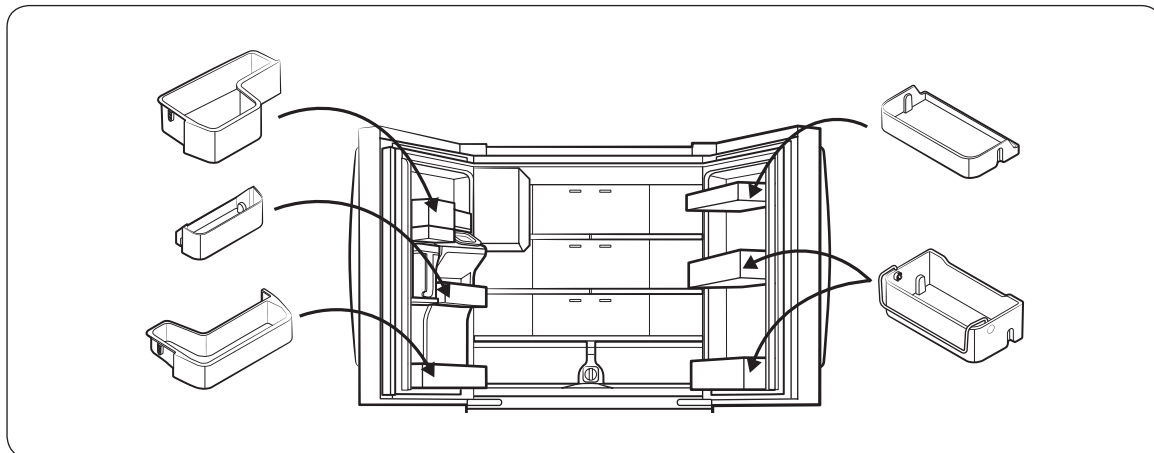
# Installation

## REMARQUE

- Pour assurer l'efficacité énergétique de l'appareil, gardez les clayettes, tiroirs et corbeilles dans leur position d'origine.
- Lorsque vous fermez la porte, assurez-vous que la section à charnière verticale est correctement positionnée afin d'éviter que l'autre porte ne soit rayée.
- Si la section à charnière verticale est inversée, remettez-la correctement en place et fermez la porte.
- Il se peut que de l'humidité se forme parfois sur la section à charnière verticale.
- Si vous forcez la fermeture d'une porte, il est possible que l'autre porte s'ouvre.
- Lorsqu'une porte s'ouvre, le commutateur d'interverrouillage désactive automatiquement le moteur à vis sans fin de la machine à glaçons par mesure de sécurité.
- Si l'ampoule à DEL interne ou externe est hors service, contactez un centre de service Samsung local.
- Si la porte reste ouverte trop longtemps, la DEL supérieure située à l'intérieur de l'appareil clignote. Ceci est tout à fait normal.

## Bacs de la porte

Les portes de votre réfrigérateur sont dotées de bacs de différents types et de différentes tailles. Si les bacs des portes de votre réfrigérateur étaient emballés séparément, utilisez l'illustration ci-dessous pour vous aider à les positionner de façon appropriée.



## Installation étape par étape

### ÉTAPE 1 Sélectionner un site

Choisir un endroit qui :

- présente une surface stable et plane sans moquette et sans revêtement de sol pouvant obstruer la ventilation ;
- est éloigné de la lumière directe du soleil ;
- dispose d'un espace suffisant pour ouvrir et fermer la porte ;
- est éloigné de toute source de chaleur ;
- laisse un espace suffisant pour effectuer des travaux de maintenance et d'entretien ;
- se trouve dans une plage de températures comprise entre 50 °F (10 °C) et 109 °F (43 °C)

### ⚠ ATTENTION

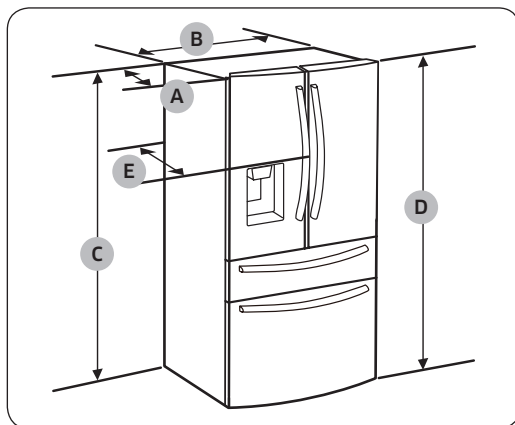
- Si votre réfrigérateur est équipé d'une machine à glaçons, ménagez suffisamment d'espace à l'arrière du réfrigérateur pour le raccordement de la conduite d'eau.
- Si vous installez le réfrigérateur à proximité d'une paroi fixe, un espace de 3 3/4 po (95 mm) minimum est nécessaire pour permettre l'ouverture de la porte.

### 📄 REMARQUE

Pour déplacer facilement votre réfrigérateur sur son emplacement final, veillez à mesurer la largeur et la hauteur des portes, des seuils, des escaliers et de tout élément devant être pris en compte pour que vous puissiez le déplacer en toute sécurité. Le schéma suivant illustre la hauteur et la profondeur exactes de votre réfrigérateur (spécifications d'usine).

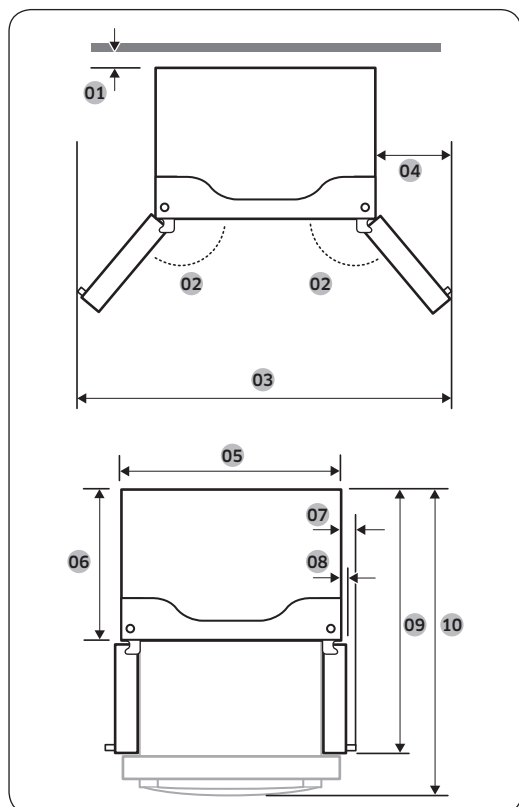
#### Espace

Pour connaître les exigences en matière d'espace d'installation, reportez-vous aux images et au tableau ci-dessous.



Modèle	RF22* / RF24*
Profondeur « A »	28 5/8 po (726 mm)
Largeur « B »	35 6/8 po (908 mm)
Hauteur « C »	68 7/8 po (1 749 mm)
Hauteur totale « D »	70 po (1 777 mm)
Profondeur « E »	31 po (788 mm)

# Installation



Modèle	RF22* / RF24*
01	2 po (50 mm)
02	125°
03	62 1/8 po (1 578 mm)
04	13 2/8 po (335 mm)
05	35 6/8 po (908 mm)
06	24 po (610 mm)
07	4 6/8 po (122 mm)
08	2 3/8 po (61 mm)
09	42 6/8 po (1 088 mm)
10	44 1/4 po (1 125 mm)

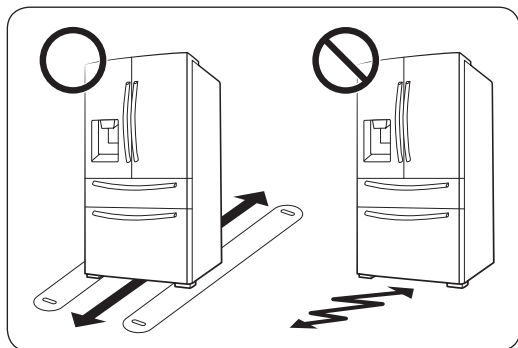
Installation

## REMARQUE

Les mesures indiquées dans le tableau ci-dessus peuvent différer des mesures réelles selon les méthodes de mesure et d'arrondi.

## ÉTAPE 2 Sol

Si le réfrigérateur ne passe pas au niveau de la porte d'entrée en raison de sa taille, consultez la section **ÉTAPE 3** Retrait de la porte pour le passage de la porte d'entrée.



### REMARQUE

Afin de ne pas endommager le sol, assurez-vous que les pieds avant de mise à niveau sont relevés.

- La surface d'installation du réfrigérateur doit supporter le poids d'un réfrigérateur plein.
- Afin de protéger le sol, placez un grand carton jusqu'à l'endroit où vous souhaitez installer le réfrigérateur.
- Lorsque le réfrigérateur se trouve dans sa position finale, ne le déplacez plus sauf si cela est nécessaire pour protéger le sol. Si vous devez déplacer le réfrigérateur, mettez du papier ou un chiffon épais tel qu'un morceau de vieille moquette le long du déplacement.



# Installation

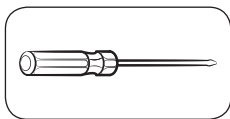
## ÉTAPE 3 Retrait de la porte pour le passage de la porte d'entrée

Si le réfrigérateur ne peut pas passer la porte d'entrée de votre maison ou de votre cuisine en raison de sa taille, suivez ces instructions pour retirer et remettre en place les portes du réfrigérateur. S'il ne vous est pas nécessaire de retirer les portes, consultez la procédure d'installation en page 31.

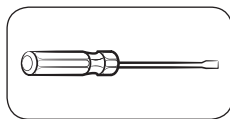
### **AVERTISSEMENT**

Débranchez le cordon d'alimentation du réfrigérateur avant de retirer les portes.

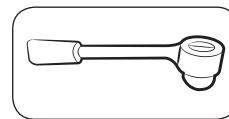
Outils requis (non fournis)



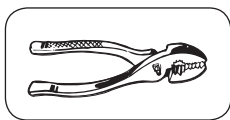
Tournevis cruciforme



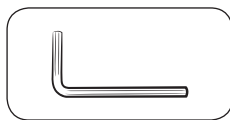
Tournevis à tête plate



Clé à douille  $\frac{3}{8}$  po (10 mm)



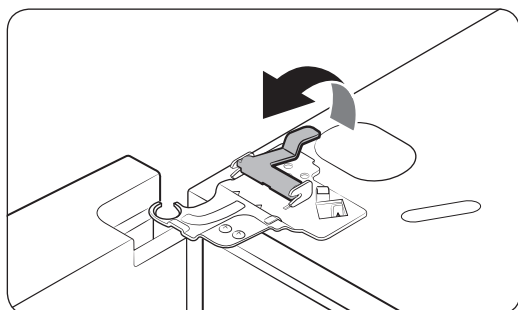
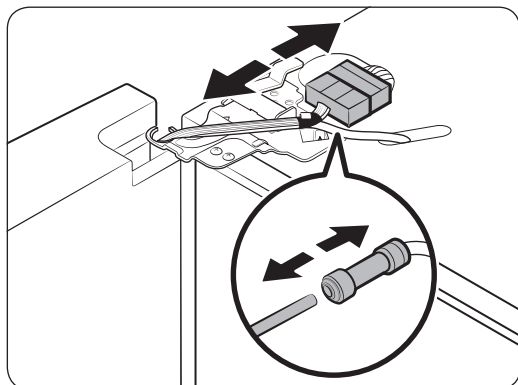
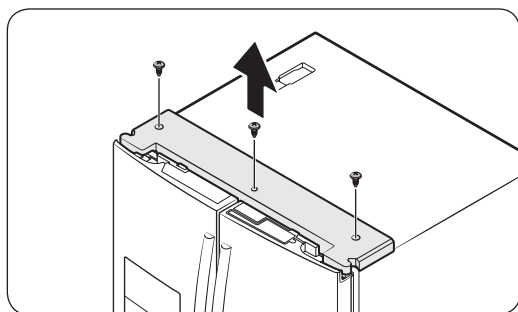
Pinces



Clé hexagonale  $\frac{1}{4}$  po (5 mm)

## Démonter les portes du réfrigérateur

### Porte gauche



1. Après avoir fermé les portes, utilisez un tournevis cruciforme pour retirer les vis (x3) au niveau du cache supérieur.

2. Débranchez les câbles et le tuyau d'eau de la porte côté gauche. Poursuivez en respectant l'ordre indiqué :

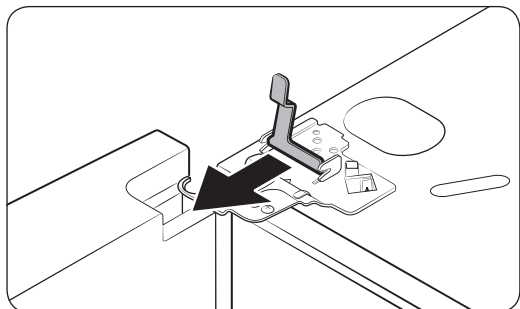
- Découplez le **connecteur**.
- Tout en appuyant sur une extrémité du coupleur du tuyau d'eau, débranchez le **tuyau d'eau**.

### **ATTENTION**

Gardez les brides du tuyau d'eau hors de la portée des enfants.

3. Tirez doucement le collier en plusieurs étapes. Pour éviter de vous blesser les doigts, n'exercez pas de pression soudaine sur le collier.

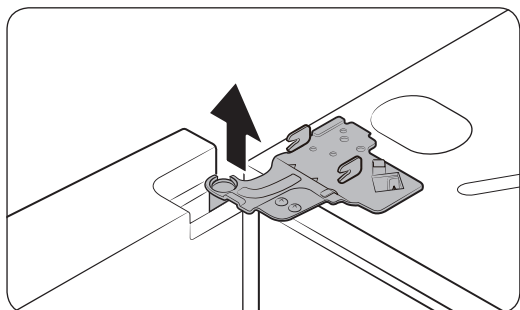
# Installation



4. Tirez le collier vers le haut pour le retirer.

 **REMARQUE**

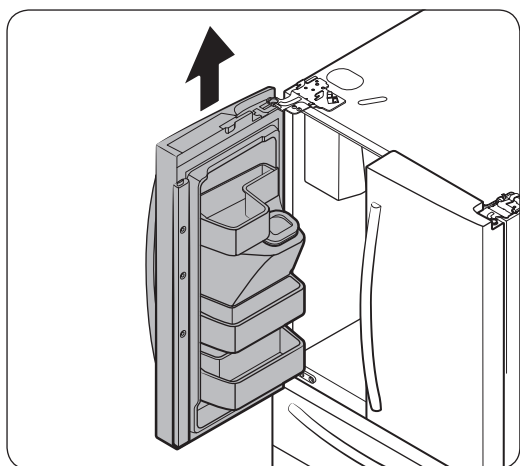
Veillez à ne pas faire tomber le collier.



5. Ouvrez la porte à 90 degrés. Tout en tenant la porte, soulevez et retirez la charnière supérieure. Prenez garde à ne pas endommager les fils des connecteurs lors du démontage de la charnière.

 **REMARQUE**

Veillez à ne pas faire tomber la charnière.



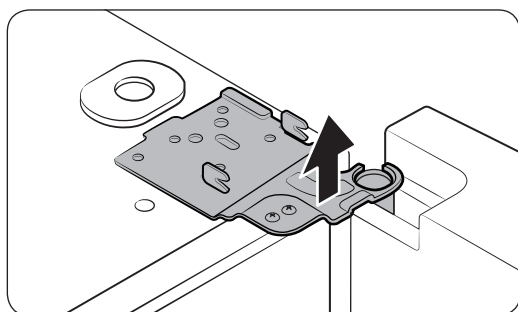
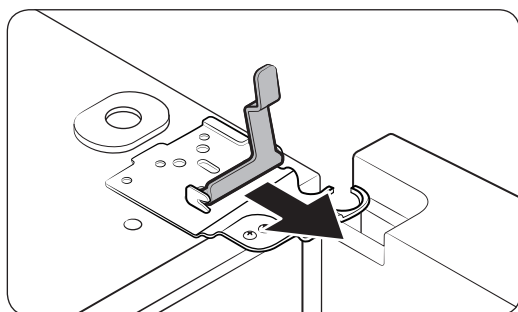
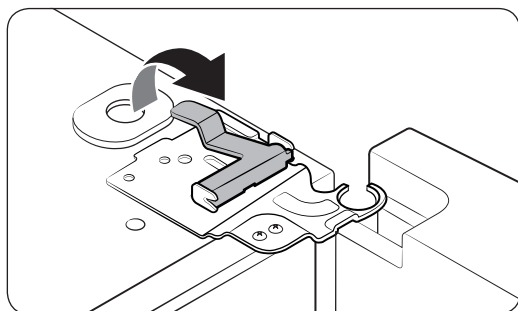
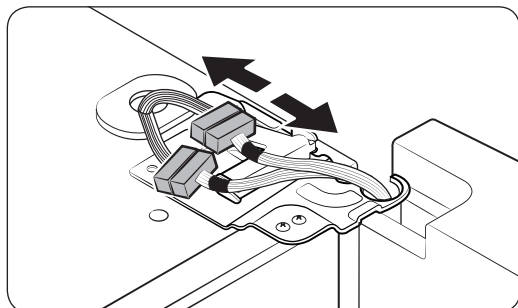
6. Tirez doucement la porte vers le haut à la verticale pour la retirer. N'exercez pas de pression excessive sur la porte. La porte peut tomber et entraîner des blessures.

7. Allongez la porte sur une surface plane.

 **ATTENTION**

Posez délicatement la porte afin d'éviter les rayures.

Porte droite



1. Débranchez les connecteurs de câbles (x2) sur la porte droite. La position des connecteurs diffère selon le modèle.

### ⚠ ATTENTION

- Ne retirez pas les deux portes simultanément. Assurez-vous de retirer une seule porte à la fois. Sinon, l'une des portes pourrait tomber et entraîner des blessures.
  - Assurez-vous que le réfrigérateur est hors tension avant de débrancher les connecteurs.
2. Tirez doucement le collier en plusieurs étapes. Pour éviter de vous blesser les doigts, n'exercez pas de pression soudaine sur le collier.

3. Tirez le collier vers le haut pour le retirer.

### 📄 REMARQUE

Veillez à ne pas faire tomber le collier.

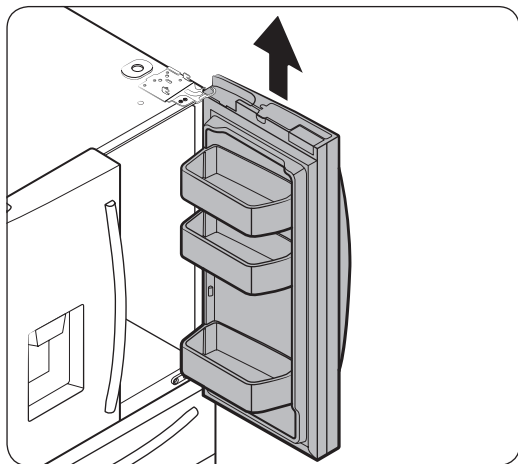
4. Ouvrez la porte à 90 degrés. Tout en tenant la porte, soulevez et retirez la charnière supérieure. Prenez garde à ne pas endommager les fils des connecteurs lors du démontage de la charnière.

### 📄 REMARQUE

Veillez à ne pas faire tomber la charnière.

# Installation

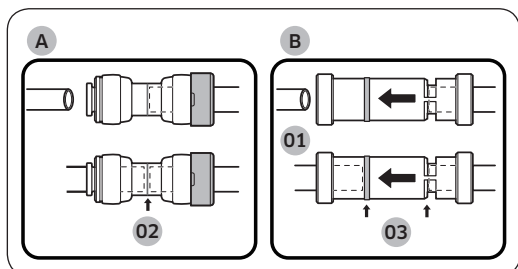
---



5. Tirez doucement la porte vers le haut à la verticale pour la retirer. N'exercez pas de pression excessive sur la porte. La porte peut tomber et entraîner des blessures.
6. Allongez la porte sur une surface plane.

## Réinstaller la porte du réfrigérateur

Après avoir déplacé le réfrigérateur sur son emplacement final, remontez les portes en suivant les instructions de retrait dans le sens inverse.

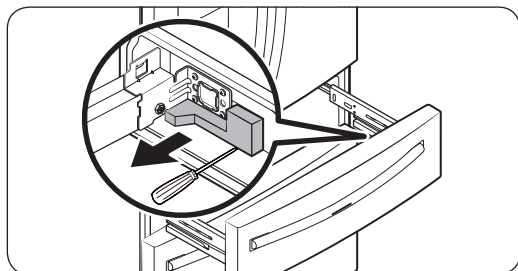
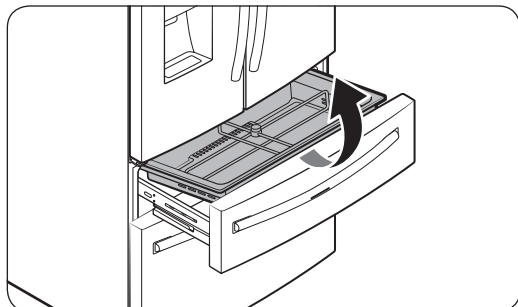


01 Distributeur

02 Centre du coupleur transparent

03 Lignes directrices

## Retirer le tiroir de la FlexZone™



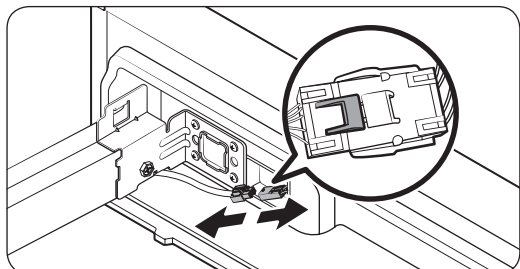
## ⚠ ATTENTION

Afin d'éviter toute fuite d'eau au niveau du distributeur, la conduite d'eau doit être entièrement raccordée. Assurez-vous que les tuyaux de la conduite d'eau sont bien insérés au centre du coupleur transparent (A) ou des lignes directrices (B).

1. Levez le bac de la FlexZone™ pour le retirer.

2. Retirez le cache du câble ainsi que le faisceau en utilisant un tournevis à tête plate.

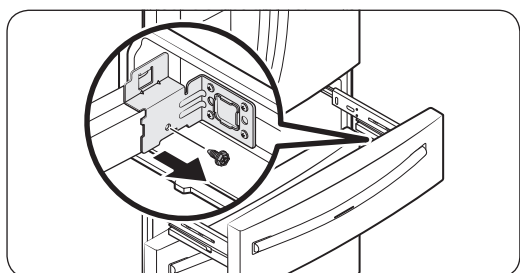
# Installation



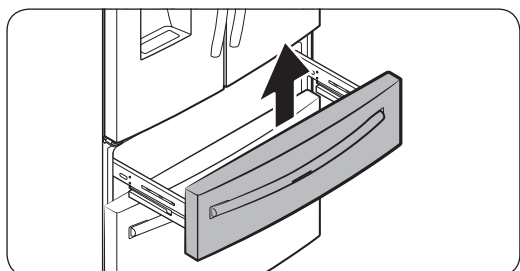
3. Appuyez sur la languette de verrouillage pour débrancher le connecteur du câble.

## ⚠ ATTENTION

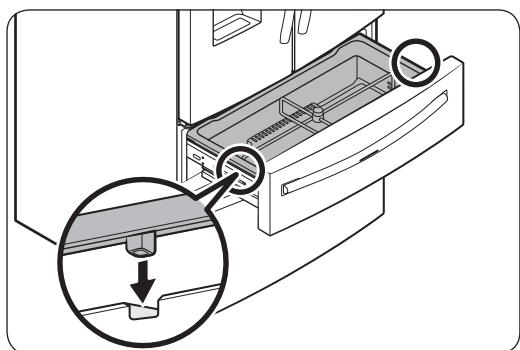
Lorsque vous verrouillez à nouveau la languette, assurez-vous de relier correctement le connecteur du câble. Si ce n'est pas le cas, la FlexZone™ ne fonctionnera pas.



4. Retirez le boulon à tête hexagonale de chaque côté du tiroir à l'aide d'une clé à douille de 10 mm.



5. Levez la partie avant du tiroir de la FlexZone™ des rails pour la retirer.



## ⚠ ATTENTION

- Veillez à ne pas faire tomber les rails sur le sol lors de leur retrait afin d'éviter tout dommage matériel.
- Assurez-vous de mettre le tiroir de la FlexZone™ à sa place après avoir retiré ou monté le bac de la FlexZone™. Le tiroir de la zone ajustable FlexZone™ peut ne pas s'ouvrir ou se fermer si le tiroir du congélateur n'est pas en place.
- Ne placez pas trop d'aliments dans le tiroir de la FlexZone™. La surcharge de la FlexZone™ peut gêner la fermeture du tiroir et entraîner une accumulation de givre.

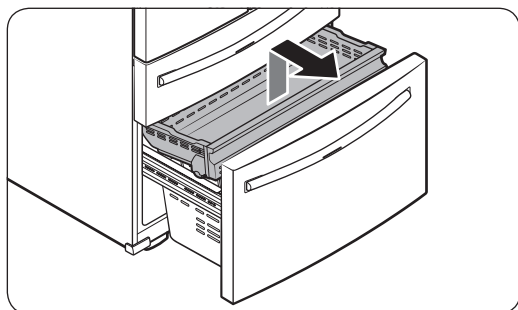
## Réinstaller le tiroir de la FlexZone™

Après avoir déplacé le réfrigérateur sur son emplacement final, remontez le tiroir de la FlexZone™ en suivant les instructions de retrait dans le sens inverse.

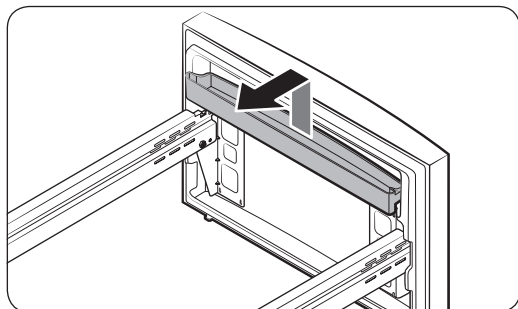
### ⚠ ATTENTION

Si la FlexZone™ ou le voyant ne fonctionne pas correctement, assurez-vous que les connecteurs sont bien branchés.

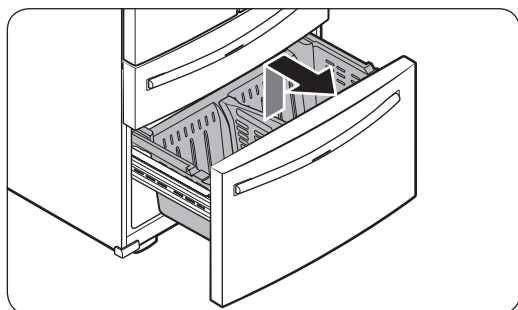
### Retirer le tiroir du congélateur



1. Poussez le **bac supérieur** à son extrémité puis tirez-le vers le haut pour le retirer.



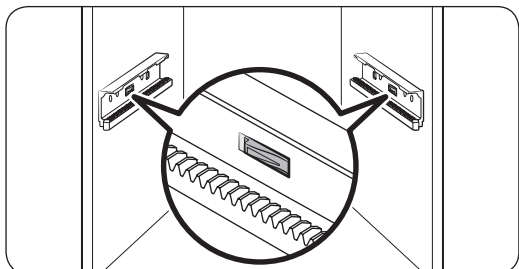
2. Levez le **bac de la porte** pour le retirer.



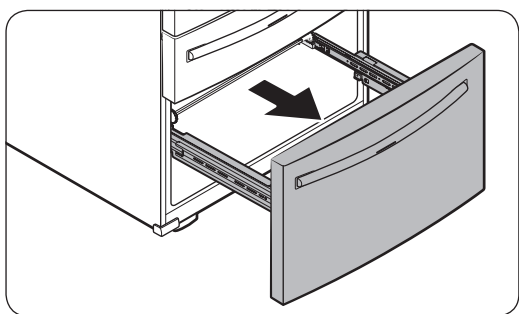
3. Tirez ensuite le **bac inférieur** vers le haut pour le retirer des rails.



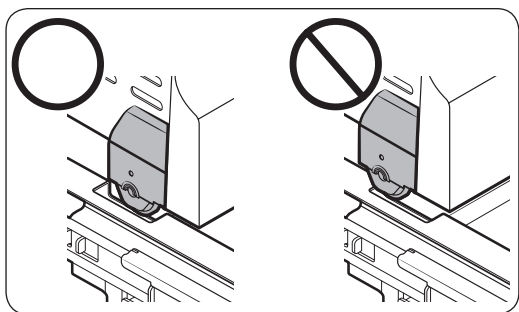
# Installation



4. Appuyez sur les crochets pour déverrouiller les rails.



5. Tout en tenant la zone supérieure de la partie avant du tiroir du congélateur, faites glisser le tiroir jusqu'au bout pour le retirer des rails.



## ⚠ ATTENTION

- Veillez à ne pas rayer ou cogner les rails.
- Assurez-vous de monter correctement les bacs du congélateur. Autrement, la porte ne s'ouvrira ou ne se fermera pas correctement, ce qui peut entraîner une accumulation de givre.
- Ne placez pas trop d'aliments dans le bac du congélateur. La surcharge des bacs peut gêner la fermeture du tiroir du congélateur et entraîner une accumulation de givre.

## Réinstaller le tiroir du congélateur

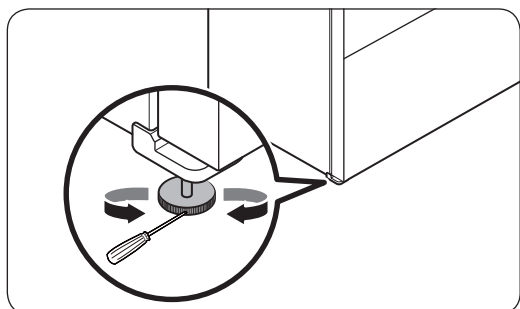
Une fois que le réfrigérateur est sur ou près de son emplacement final, réinstallez le bac du congélateur en suivant les instructions dans le sens inverse des instructions de retrait.

## ÉTAPE 4 Réglage du réfrigérateur

### ATTENTION

- Une fois installé, le réfrigérateur doit être mis à niveau sur un sol plat et solide. Ne pas mettre à niveau le réfrigérateur peut causer des dommages sur le réfrigérateur ou des blessures corporelles.
- La mise à niveau doit être effectuée sur un réfrigérateur vide. Assurez-vous qu'aucun aliment n'est encore présent à l'intérieur du réfrigérateur.
- Pour des raisons de sécurité, l'avant doit être légèrement plus élevé que l'arrière.

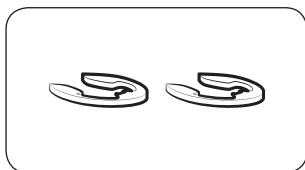
Mettez à niveau le réfrigérateur en utilisant des vis spéciales (de mise à niveau) sur les pieds avant. Utilisez un tournevis à tête plate pour tourner les vis de mise à niveau.



- Pour ajuster la hauteur côté gauche : Insérez un tournevis à tête plate dans la vis de mise à niveau du pied avant gauche. Faites tourner la vis de mise à niveau dans le sens horaire pour monter le côté gauche ou dans le sens antihoraire pour l'abaisser.
- Pour ajuster la hauteur côté droit : Insérez un tournevis à tête plate dans la vis de mise à niveau du pied avant droit. Faites tourner la vis de mise à niveau dans le sens horaire pour monter le côté droit ou dans le sens antihoraire pour l'abaisser.

# Installation

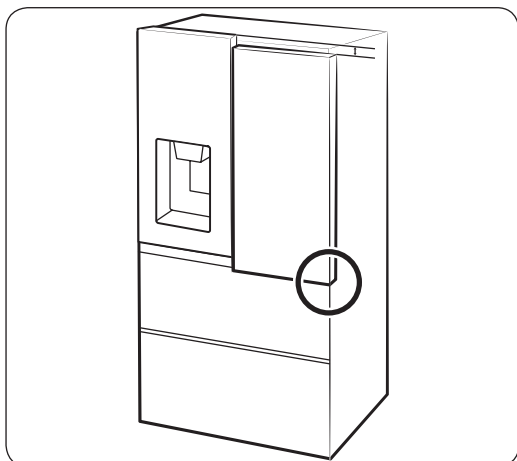
## ÉTAPE 5 Ajustez la hauteur de la porte ainsi que l'écart entre les portes.



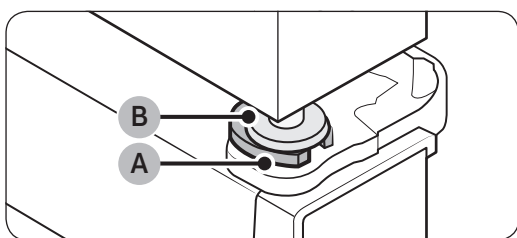
### Circlips

La hauteur d'une porte peut être ajustée à l'aide des circlips fournis, qui sont disponibles dans 4 tailles différentes (1 mm, 1,5 mm, 2 mm et 2,5 mm).

### Ajuster la hauteur d'une porte



1. Vérifiez la différence de hauteur entre les portes, puis soulevez et maintenez la porte avec la hauteur inférieure.

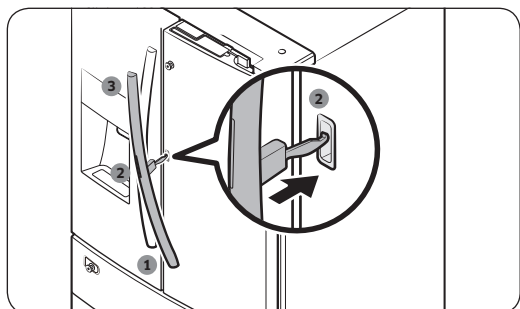
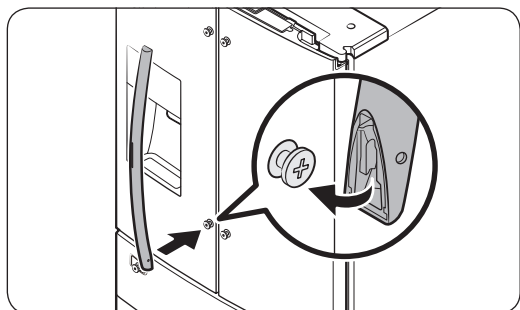
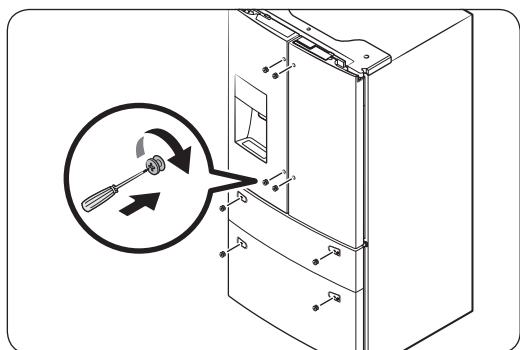
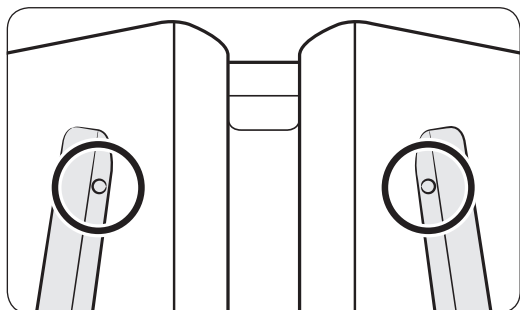


2. Insérez un circlip (A) de taille appropriée entre l'œillet de porte (B) et la charnière, comme indiqué.

### ⚠ ATTENTION

- Insérez uniquement un seul circlip. Si vous insérez deux circlips ou plus, ils pourraient glisser et tomber ou émettre un bruit de frottement.
- Tenez les circlips hors de la portée des enfants et conservez-les pour une utilisation ultérieure.
- Ne soulevez trop la porte non plus. La porte peut entrer en contact avec le cache supérieur et l'endommager.

## ÉTAPE 6 Fixer les poignées



### ⚠ ATTENTION

Les poignées du réfrigérateur doivent être orientées dans la bonne direction.

- Les poignées du réfrigérateur doivent être fixées de sorte que leurs trous soient en face les uns des autres.
- La poignée du congélateur doit être fixée de sorte que son trou soit face vers le bas.

1. À l'aide d'un tournevis cruciforme, fixez les vis de la poignée sur le réfrigérateur, deux pour chaque poignée respectivement, comme indiqué sur l'illustration à gauche.

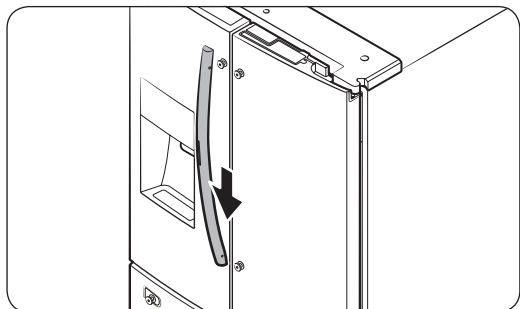
2. Pour fixer les poignées du réfrigérateur sur ce dernier, placez tout d'abord le côté inférieur d'une poignée sur la vis de poignée inférieure.

**Pour la poignée de type B :** Fixez la poignée dans l'ordre suivant : (1) bas, (2) milieu, (3) haut. Reportez-vous à l'illustration sur la gauche.

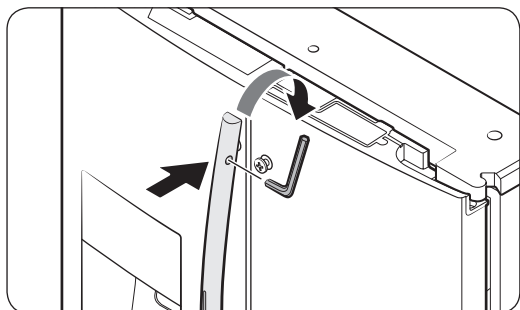
### 📖 REMARQUE

La conception de la poignée de porte de droite peut varier d'un modèle à l'autre.

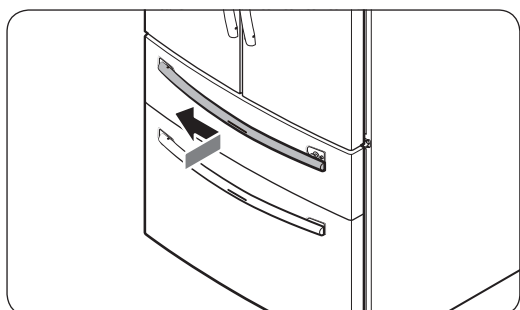
# Installation



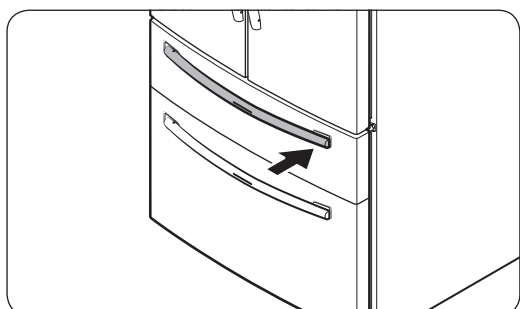
3. Pressez la poignée vers le bas puis placez le côté supérieur de la poignée sur la vis de poignée supérieure.



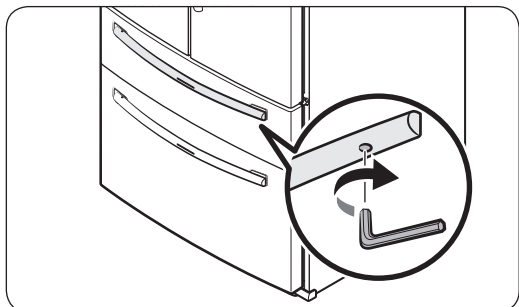
4. Insérez la clé fournie dans le trou de la poignée, puis faites-la tourner dans le sens horaire pour la serrer.
5. Recommencez les étapes 2 à 4 avec la deuxième poignée de porte du réfrigérateur.



6. Pour fixer la poignée du congélateur sur le réfrigérateur, placez tout d'abord le côté gauche de la poignée du congélateur sur la vis de poignée gauche.



7. Poussez la poignée vers la gauche puis placez le côté droit de la poignée du congélateur sur la vis de poignée droite.



8. Insérez la clé fournie dans le trou de la poignée, puis faites-la tourner dans le sens horaire pour la serrer.

# Installation

## ÉTAPE 7 Raccorder le circuit du distributeur d'eau

Le distributeur d'eau avec filtre est l'une des caractéristiques très pratiques que vous offre votre nouveau réfrigérateur. Afin de préserver votre santé, le filtre supprime toutes les particules indésirables présentes dans l'eau. Toutefois, il ne permet pas de stériliser ni de détruire les micro-organismes. Pour cela, un purificateur d'eau est nécessaire.

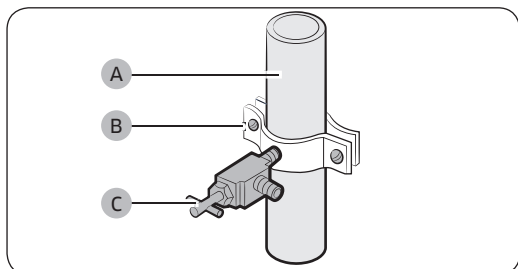
Le tuyau d'alimentation en eau est également connecté à la machine à glaçons. Pour que la machine à glaçons puisse fonctionner correctement, la pression de l'eau doit se situer entre 20 et 125 psi.

Si le réfrigérateur est installé dans une zone où la pression de l'eau est faible (inférieure à 20 psi), vous pouvez installer une pompe de surpression pour compenser la faible pression.

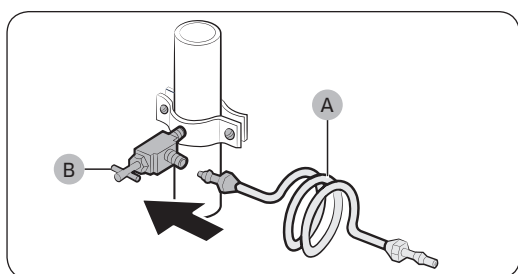
Après avoir raccordé le tuyau d'eau, assurez-vous que le réservoir d'eau à l'intérieur du réfrigérateur est bien rempli. Pour cela, appuyez sur le levier du distributeur d'eau jusqu'à ce que l'eau s'écoule par la sortie d'eau.

### REMARQUE

- Des trousse d'installation de conduite d'eau sont disponibles auprès de votre détaillant contre un supplément. Il est recommandé d'utiliser une trousse d'installation de conduite d'eau composé d'un tube en cuivre et d'un écrou de serrage de 1/4 po (6 mm).



1. Coupez la source d'eau principale.
2. Insérez le collier de fixation (B) et le robinet de sectionnement (C) dans la conduite d'eau froide (A).

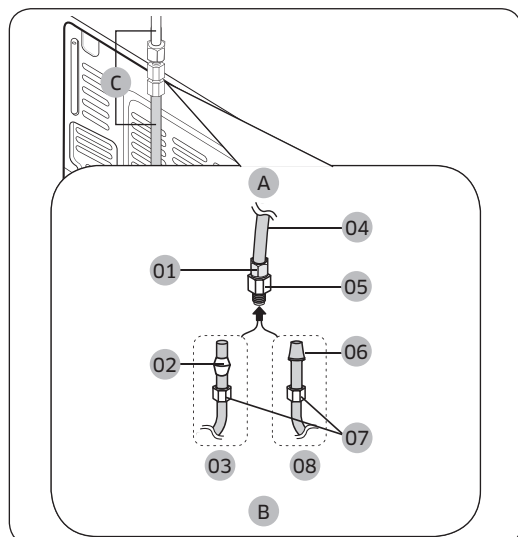


3. Raccordez le kit d'installation de la conduite d'eau (A) au robinet de sectionnement (B).

## Raccorder le tuyau d'alimentation en eau au réfrigérateur

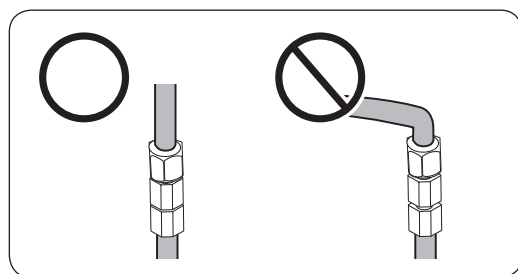
Vous devez acheter plusieurs éléments pour effectuer ce raccordement. Ces accessoires sont en vente sous forme de trousse à votre quincaillerie locale.

Tube en cuivre	<ul style="list-style-type: none"><li>• Tube en cuivre de 1/4 po (6 mm)</li><li>• Écrou de serrage de 1/4 po (6 mm) (1 pièce)</li><li>• Bague (2 pièces)</li></ul>
Tube en plastique	<ul style="list-style-type: none"><li>• Tube en plastique de 1/4 po (6 mm) → Extrémité moulée (en forme de poire)</li><li>• Écrou de serrage de 1/4 po (6 mm) (1 pièce)</li></ul>



- A. Réfrigérateur
- B. Conduite d'eau domestique
- C. Conduite d'eau : à maintenir droite.

- 01 Écrou de serrage (1/4 po (6 mm)) (Assemblé)
- 02 Bague (non fournie)
- 03 Tube en cuivre (non fourni)
- 04 Tube en plastique (assemblé)
- 05 Raccord à compression (assemblé)
- 06 Extrémité moulée (en forme de poire)
- 07 Écrou de serrage (B) (1/4 po (6 mm)) (non fourni)
- 08 Tube en plastique (A) (non fourni)

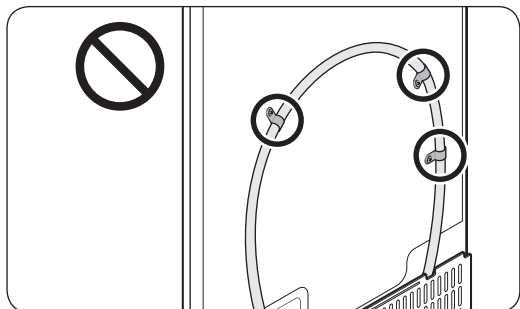


### REMARQUE

S'il vous est nécessaire de déplacer le réfrigérateur après avoir branché la **conduite d'eau (C)**, assurez-vous que la section jointe de la conduite d'eau est droite.



# Installation



## ⚠ ATTENTION

Ne montez pas de filtre à eau sur n'importe quelle partie du réfrigérateur. Cela pourrait endommager le réfrigérateur.

1. Reliez la conduite d'eau domestique au raccord à compression assemblé.
  - Si vous utilisez un tube en cuivre, faites glisser l'**écrou de serrage (B)** (non fourni) et la **bague** (non fournie) sur le tube en cuivre (non fourni) comme illustré.
  - Si vous utilisez un **tube en plastique (A)**, insérez l'extrémité moulée (en forme de poire) du **tube en plastique (A)** dans le raccord à compression.

## ⚠ ATTENTION

- Si vous utilisez un **tube en plastique (A)**, ne l'utilisez pas sans l'extrémité moulée (en forme de poire).
  - Si vous laissez débranchée la conduite d'eau, le robinet d'arrivée d'eau peut produire un bourdonnement au fil du temps. Si tel est le cas, assurez-vous que le fonctionnement de la machine à glaçons est « **OFF (DÉSACTIVÉ)** » et n'utilisez pas le distributeur d'eau.
2. Serrez l'**écrou de serrage (B)** sur le **raccord à compression**. Assurez-vous de ne pas trop serrer l'**écrou de serrage (B)**.
  3. Ouvrez l'alimentation en eau et vérifiez qu'il n'y a pas de fuite. Si vous détectez des gouttes ou des fuites d'eau au niveau du raccord, fermez l'alimentation en eau principale. Vérifiez les branchements et resserrez si nécessaire.
  4. Laissez s'écouler 1 gallon d'eau à travers le filtre avant de consommer ou d'utiliser l'eau du réfrigérateur (laissez s'écouler l'eau pendant environ 6 minutes). Pour ce faire, appuyez sur le levier du distributeur d'eau avec un verre ou une tasse de grande taille. Remplissez le verre, videz-le, puis recommencez.
  5. Après avoir mis le réfrigérateur en marche, patientez 1 à 2 jours avant de vous servir de la machine à glaçons. Pendant cette période, jetez les 2 premiers bacs de glaçons afin d'évacuer toutes les impuretés de la conduite d'eau.

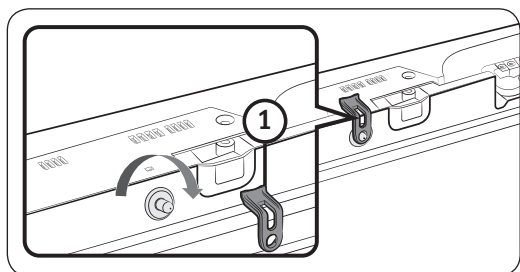
## 📖 REMARQUE

Raccordez la conduite d'eau à une source d'eau potable uniquement.

- Si vous devez réparer ou démonter la conduite d'eau, coupez environ  $\frac{1}{4}$  po (6 mm) du tube en plastique afin d'assurer un raccordement sûr et étanche.
- Vous pouvez rapidement tester la conduite d'eau à l'aide d'un gobelet. Dans des conditions normales, le distributeur d'eau remplit un gobelet de  $5 \frac{3}{4}$  oz (170 cm<sup>3</sup>) en environ 10 secondes.

## ÉTAPE 8 Réglages initiaux

En suivant les étapes suivantes, le réfrigérateur doit fonctionner entièrement.



### ⚠ ATTENTION

Avant d'installer le réfrigérateur, assurez-vous de retirer le verrouillage du capot (1) au-dessus de la porte. Dans le cas contraire, des blessures peuvent être occasionnées par la lame broyant la glace.

1. Insérez le cordon d'alimentation dans la prise murale pour allumer le réfrigérateur.
2. Ouvrez la porte et vérifiez si l'éclairage à l'intérieur s'allume.
3. Réglez la température sur le paramètre le plus froid et patientez environ une heure. Le congélateur est légèrement réfrigéré et le moteur doit tourner doucement.
4. Attendez jusqu'à ce que le réfrigérateur atteigne la température réglée. Le réfrigérateur est désormais prêt l'emploi.

## ÉTAPE 9 Vérification finale

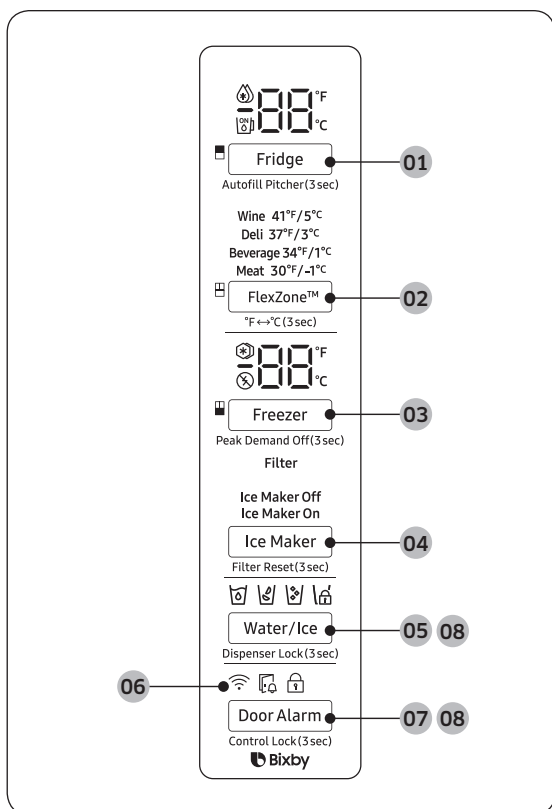
Lorsque l'installation est terminée, vérifiez les points suivants :

- Le réfrigérateur est branché sur une prise électrique et correctement mis à la terre.
- Le réfrigérateur est installé sur une surface plane et à une distance suffisante des murs et des armoires.
- Le réfrigérateur est mis à niveau et positionné fermement au sol.
- La porte s'ouvre et se ferme sans obstacles et l'éclairage intérieur s'allume automatiquement dès que vous ouvrez la porte.

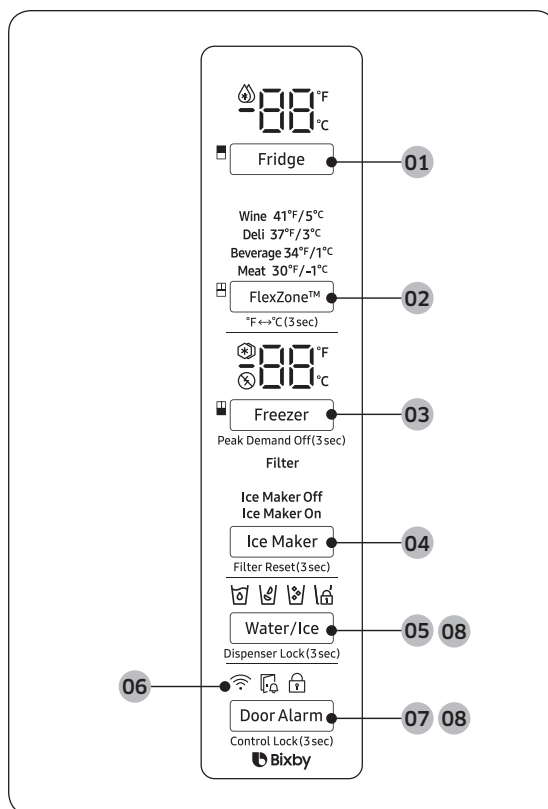
# Opérations

## Panneau principal

Type A



Type B



- 01** Fridge (Réfrigérateur) /  
Auto Fill Water Pitcher (Remplissage  
automatique du pichet d'eau) \*
- 03** Freezer (Congélateur) /  
Peak Demand Off (Désactivation du pic de  
demande)
- 05** Water/Ice (Eau/Glaçons) /  
Dispenser Lock (Verrouillage du distributeur)
- 07** Door Alarm (Alarme de la porte) /  
Control Lock (Verrouillage de commande)

- 02** FlexZone™ / °F ↔ °C
- 04** Ice Maker (Machine à glaçons) /  
Filter Reset (Réinitialisation du filtre)
- 06** Connexion au réseau
- 08** Mode Sabbath (Sabbat)

\* modèles applicables uniquement

---

## REMARQUE

- Lorsque vous changez la température sur le panneau, le panneau affiche la température réelle à l'intérieur du réfrigérateur jusqu'à ce que la température corresponde à la température que vous avez réglée. Ensuite, le panneau affiche la nouvelle température réglée. Notez que cela prendra du temps au réfrigérateur pour atteindre la nouvelle température. Ceci est tout à fait normal. Durant cette période, vous n'avez pas besoin de régler la température à nouveau.
- Pour des performances optimales, il est recommandé de régler la température du congélateur sur 0 °F (-18 °C) et celle du réfrigérateur sur 37 °F (3 °C).
- La température du réfrigérateur peut augmenter si vous ouvrez fréquemment la porte ou si une grande quantité d'aliments est placée dans le réfrigérateur. Si tel est le cas, l'écran de température clignote jusqu'à ce que le réfrigérateur revienne sur les réglages de température spécifiés.
- Si une erreur de communication se produit entre l'écran de température et les commandes principales, le voyant continue à clignoter pendant un certain temps. Contactez un centre de service Samsung local pour obtenir une assistance technique.
- L'écran du panneau principal s'allume uniquement si la porte est ouverte et s'éteint si la porte est fermée.
- Si vous réglez Control Lock (Verrouillage de commande) sur le panneau principal, le panneau principal se verrouille automatiquement après 1 minute d'inactivité.
- Bixby est une plateforme d'intelligence de Samsung. Elle vous permet de contrôler l'appareil par commande vocale. Pour utiliser la fonction de commande vocale, vous devez connecter l'appareil à l'application SmartThings sur votre téléphone. Pour les appareils qui ne reconnaissent pas la commande vocale directement, vous pouvez utiliser Bixby sur votre smartphone pour contrôler certaines des fonctions de votre appareil après avoir établi la connexion à l'application.

# Opérations

## 01 Réfrigérateur / Remplissage automatique du pichet d'eau (3 s)

### Fridge (Réfrigérateur)

Vous pouvez utiliser le bouton **Fridge (Réfrigérateur)** pour régler la température du réfrigérateur ou pour activer la fonction Refroidissement rapide.

- Appuyez plusieurs fois sur le bouton **Fridge (Réfrigérateur)** pour sélectionner la température de votre choix comprise entre 34 °F (1 °C) et 44 °F (7 °C).
  - Le voyant de température affiche la température actuellement réglée ou sélectionnée.
- Pour activer la fonction Refroidissement rapide, appuyez plusieurs fois sur le bouton **Fridge (Réfrigérateur)** jusqu'à ce que le voyant Refroidissement rapide (❄) s'allume.
  - Pour désactiver la fonction Refroidissement rapide, appuyez simplement à nouveau sur le bouton **Fridge (Réfrigérateur)** pendant que la fonction Refroidissement rapide est en marche.
  - La fonction Refroidissement rapide accélère le processus de refroidissement en puissance maximale pour abaisser la température du réfrigérateur. Le processus de refroidissement se poursuit pendant quelques heures et le réfrigérateur revient ensuite sur les réglages de température par défaut.
  - Utilisez la fonction Refroidissement rapide pour refroidir rapidement des aliments qui s'abîment vite ou pour refroidir rapidement le réfrigérateur après avoir laissé la porte ouverte pendant un certain temps.

#### REMARQUE

L'utilisation de la fonction Refroidissement rapide augmente la consommation électrique. Assurez-vous de l'avoir désactivé si vous n'en avez plus besoin et laissez le réfrigérateur retrouver sa température précédente.

Auto Fill Water  
Pitcher (Remplissage  
automatique du pichet  
d'eau)

Maintenez le bouton **Fridge (Réfrigérateur)** enfoncé pendant 3 secondes pour activer la fonction. Ouvrez la porte gauche du réfrigérateur puis insérez le réservoir à eau. Fermez la porte. Le réservoir d'eau commence à se remplir d'eau jusqu'à un niveau prédéfini au bout de quelques secondes.

Pour désactiver la fonction, maintenez à nouveau le bouton **Fridge (Réfrigérateur)** enfoncé pendant 3 secondes.

 **REMARQUE**

- La fonction Remplissage automatique du pichet d'eau est désactivée par défaut. Activez cette fonction après avoir installé la conduite d'eau.
- Si vous ouvrez la porte ou poussez le levier distributeur, cette fonction s'arrête de façon temporaire.
- Le voyant Remplissage automatique du pichet d'eau clignote en cas de fuite. Ce peut être le cas si le réservoir à eau déborde ou si la conduite d'eau ou le capteur du niveau d'eau dysfonctionnent. Si tel est le cas, suivez ces étapes.
  - a. Ouvrez le bouchon en caoutchouc et videz l'eau.
  - b. Une fois l'eau évacuée, les voyants arrêtent de clignoter et deviennent fixes.
  - c. Fermez le bouchon en caoutchouc.
- Si les voyants continuent à clignoter, il peut s'agir d'une défaillance du système. Contactez un centre de service local.

# Opérations

## 02 FlexZone™ / °F ↔ °C (3 s)

La FlexZone™ est un tiroir pleine largeur doté d'un système de contrôle de la température. Une sonde thermique permet de régler la quantité d'air froid envoyée dans cette zone.

- Appuyez plusieurs fois sur le bouton **FlexZone™** pour sélectionner le mode souhaité. Le mode **Deli (Produits frais)** est sélectionné par défaut.
- Le réfrigérateur ajuste la température de la FlexZone™ selon le mode sélectionné.

Mode	Description	Exemples
Wine (Vin)	Sélectionnez Vin pour garder des aliments au frais sur une période prolongée. La température de la FlexZone™ sera maintenue à 41 °F (5 °C).	Vin, cocktails, gâteau, fromage
Deli (Produits frais)	Sélectionnez Produits frais pour garder des aliments au frais plus longtemps. La température de la FlexZone™ sera maintenue à 37 °F (3 °C).	Ananas, citrons, biscuits, pommes de terre
Beverage (Boissons)	Sélectionnez Boissons pour garder des boissons au frais. La température de la FlexZone™ sera maintenue à 34 °F (1 °C).	Eau en bouteille, jus, sodas, bière
Meat (Viande)	Sélectionnez Viande pour conserver de la viande ou du poisson au frais plus longtemps. La température de la FlexZone™ sera maintenue à 30 °F (-1 °C).	Steaks, charcuterie, bacon, saucisses à hot-dog



### **ATTENTION**

- N'utilisez pas la zone ajustable FlexZone™ pour conserver des fruits ou des légumes feuillus. Ils risqueraient de s'abîmer en raison du froid.
- Ne placez pas de bouteilles en verre dans la FlexZone™ en mode Beverage (Boissons) ou Meat (Viande). Elles risqueraient d'éclater et de vous blesser.

°F ↔ °C	Vous pouvez également utiliser le bouton FlexZone™ pour alterner l'échelle de température entre Celsius et Fahrenheit. Pour alterner l'échelle de température, maintenez le bouton <b>FlexZone™</b> enfoncé pendant 3 secondes pour changer l'échelle de température actuelle.
---------	---



### 03 Congélateur / Désactivation du pic de demande (3 s)

<p>Freezer (Congélateur)</p>	<p>Vous pouvez utiliser le bouton <b>Freezer (Congélateur)</b> pour régler la température du congélateur ou pour activer la fonction Congélation rapide.</p> <ul style="list-style-type: none"> <li>• Appuyez plusieurs fois sur le bouton <b>Freezer (Congélateur)</b> pour sélectionner la température de votre choix comprise entre 5 °F (-15 °C) et -8 °F (-23 °C).             <ul style="list-style-type: none"> <li>- Le voyant de température affiche la température actuellement réglée ou sélectionnée.</li> </ul> </li> <li>• Pour activer la fonction Congélation rapide, appuyez plusieurs fois sur le bouton <b>Freezer (Congélateur)</b> jusqu'à ce que le voyant Congélation rapide (  ) s'allume.             <ul style="list-style-type: none"> <li>- Pour désactiver la fonction Congélation rapide, appuyez simplement à nouveau sur le bouton <b>Freezer (Congélateur)</b> pendant que la fonction Congélation rapide est en marche.</li> <li>- La fonction Congélation rapide accélère le processus de congélation en puissance maximale pour abaisser la température du congélateur. Le processus de congélation se poursuit pendant quelques heures et le congélateur revient ensuite sur les réglages de température par défaut.</li> <li>- Pour congeler une grande quantité d'aliments, activez la fonction Congélation rapide au moins 20 heures avant de placer les aliments dans le congélateur.</li> </ul> </li> </ul> <p> <b>REMARQUE</b></p> <p>L'utilisation de la fonction Congélation rapide augmente la consommation électrique. Assurez-vous de l'avoir désactivé si vous n'en avez plus besoin et laissez le réfrigérateur retrouver sa température précédente.</p>
<p>Peak Demand Off (Désactivation du pic de demande)</p>	<p>La fonction Désactivation du pic de demande active/désactive la fonction Smart Grid (Réponse à la demande).</p> <p>Appuyez sur le bouton <b>Freezer (Congélateur)</b> pendant 3 secondes pour activer/désactiver la fonction Désactivation du pic de demande.</p>






# Opérations

## 04 Machine à glaçons / Réinitialisation du filtre (3 s)

Ice Maker (Machine à glaçons)	<p>Appuyez sur <b>Ice Maker (Machine à glaçons)</b> pour activer et désactiver la machine à glaçons.</p> <p>La machine à glaçons est dotée de 2 voyants (<b>Ice Maker On / Ice Maker Off</b>) indiquant son état de fonctionnement.</p> <ul style="list-style-type: none"><li>• Lorsque la machine à glaçons fonctionne, le voyant correspondant (<b>Ice Maker On</b>) s'allume.</li><li>• Lorsque la machine à glaçons est éteinte, le voyant correspondant (<b>Ice Maker Off</b>) s'allume. Si tel est le cas, la fabrication de glace est désactivée, même si vous appuyez sur les boutons <b>Cubed (Glaçons)</b> ou <b>Crushed Ice (Glace pilée)</b> sur le panneau du distributeur. Pour activer la fabrication de la glace, vous devez d'abord allumer la machine à glaçons.</li></ul> <p><b>REMARQUE</b></p> <p>Si la machine à glaçons est éteinte, elle s'allume si vous maintenez le <b>levier distributeur de glace</b> enfoncé pendant plus de 5 secondes.</p>
Filter Reset (Réinitialisation du filtre)	<p>Après environ 6 mois (approximativement 300 gallons (1 200 L) d'eau), le voyant Filtre clignote en rouge pendant plusieurs secondes, lorsque vous ouvrez la porte, pour vous rappeler que le filtre doit être remplacé.</p> <p>Si tel est le cas, remplacez le filtre puis maintenez le bouton <b>Filter Reset (Réinitialisation du filtre)</b> enfoncé pendant 3 secondes. Le cycle de vie du filtre est réinitialisé et le voyant Filtre s'éteint.</p> <p><b>REMARQUE</b></p> <ul style="list-style-type: none"><li>• L'eau de certaines régions a une teneur relativement importante en calcaire. Cela peut réduire le cycle de vie du filtre. Dans ces régions, vous devrez remplacer le filtre à eau plus fréquemment que l'intervalle indiqué ci-dessus.</li><li>• Si l'eau ne se verse pas correctement, le filtre à eau est très probablement bouché. Remplacez le filtre à eau.</li></ul>

## 05 Eau/Glaçons / Verrouillage du distributeur (3 s)

<b>Water/Ice (Eau/Glaçons)</b>	Vous pouvez obtenir de l'eau réfrigérée, des glaçons ou de la glace pilée. Pour l'obtenir, appuyez sur <b>Water/Ice (Eau/Glaçons)</b> . Le voyant correspondant s'allume.
<b>Dispenser Lock (Verrouillage du distributeur)</b> (Panneau du distributeur / Levier du distributeur)	<p>Pour éviter d'utiliser les boutons du panneau du distributeur et le levier du distributeur, maintenez le bouton <b>Water/Ice (Eau/Glaçons)</b> enfoncé pendant plus de 3 secondes.</p> <p>Si vous appuyez à nouveau sur ce bouton en le maintenant enfoncé pendant plus de 3 secondes, le verrouillage du distributeur sera désactivé.</p> <p> <b>REMARQUE</b></p> <p>Le bouton <b>Dispenser Lock (Verrouillage du distributeur)</b> du panneau du distributeur n'affecte pas les commandes du panneau principal. Pour verrouiller le panneau principal, utilisez la fonction Verrouillage de commande du panneau principal.</p>

## 06 Connexion au réseau


Vous pouvez contrôler et surveiller votre réfrigérateur sur l'application SmartThings. Pour plus d'informations, reportez-vous à la section **SmartThings**.

## 07 Alarme de la porte / Verrouillage de commande (3 s)

<b>Door Alarm (Alarme de la porte)</b>	<p>Si la porte est laissée ouverte pendant plus de 2 minutes, une alarme retentit et le voyant d'alarme clignote. Vous pouvez activer et désactiver l'alarme en appuyant sur le bouton <b>Door Alarm (Alarme de la porte)</b>. L'alarme est activée par défaut en usine.</p> <p>Si la porte est laissée ouverte pendant 5 minutes, la lumière intérieure (dans le réfrigérateur, la FlexZone™ ou le congélateur) clignote pendant 5 minutes, puis s'éteint. Cela est normal, ceci permet d'alerter les personnes malentendantes.</p>
--	--

# Opérations

## Control Lock (Verrouillage de commande)

Pour éviter tout changement accidentel des paramètres, maintenez le bouton **Door Alarm (Alarme de la porte)** enfoncé pendant 3 secondes. Le panneau principal est désactivé et le voyant de verrouillage (  ) s'allume.

Lorsque la fonction Verrouillage de commande est activée, le voyant clignote si un bouton du panneau principal est actionné.

Si vous appuyez à nouveau sur ce bouton en le maintenant enfoncé pendant plus de 3 secondes, la fonction Verrouillage de commande sera désactivée.

Toutefois, la fonction Verrouillage de commande se réactive si aucun bouton n'est actionné dans la minute qui suit.

### REMARQUE

La fonction Control Lock (Verrouillage de commande) du panneau principal n'affecte pas le distributeur. Le distributeur fonctionne de façon indépendante, tout comme le levier distributeur. Pour verrouiller le distributeur et le levier, utilisez la fonction Verrouillage du distributeur.

## 08 Mode Sabbat

Le mode Sabbat reste actif durant les 85 heures suivant son activation. Passé ce délai, il sera automatiquement désactivé.

- Pour activer le mode Sabbat, appuyez simultanément sur les boutons **Door Alarm (Alarme de la porte)** et **Water/Ice (Eau/Glaçons)** pendant 5 secondes. Le réfrigérateur passe ensuite en mode Sabbat dans lequel les boutons, l'écran et les voyants des compartiments sont tous sous contrôle.
- Pour désactiver le mode Sabbat, appuyez à nouveau sur ces boutons en les maintenant enfoncés pendant 5 secondes.

### REMARQUE

- Si le réfrigérateur s'éteint puis redémarre (par exemple, en cas de coupure de courant), le mode Sabbat reste actif. Pour arrêter le mode Sabbat, vous devez le désactiver comme décrit ci-dessus.
- Les commandes doivent être déverrouillées avant d'activer le mode Sabbat.

---

## 09 Sans refroidissement

Le mode Sans refroidissement (également appelé mode Shop) est destiné aux vendeurs qui mettent les réfrigérateurs en démonstration dans leur magasin.

En mode Sans refroidissement, seuls le moteur du ventilateur et les voyants du réfrigérateur fonctionnent ; les compresseurs du réfrigérateur et du congélateur sont désactivés et ne produisent donc pas de froid.

Pour passer en mode Sans refroidissement ou le quitter, appuyez simultanément sur les boutons **Fridge (Réfrigérateur)** et **FlexZone™** et maintenez-les enfoncés pendant 6 secondes. Puis, lorsque l'affichage clignote, appuyez sur **Door Alarm (Alarme de la porte)**.

Lorsque le mode Sans refroidissement est activé, le réfrigérateur émet un signal sonore et « **0** » s'affiche sur l'écran de température du réfrigérateur, et « **FF** » s'affiche sur l'écran de température du congélateur.

# Opérations

---

## SmartThings

---

### Installation

Rendez-vous sur Google Play Store, Galaxy Apps ou Apple App Store et recherchez « SmartThings ». Téléchargez et installez l'application SmartThings fournie par Samsung Electronics sur votre périphérique intelligent.

#### REMARQUE

- L'application SmartThings est conçue pour Android 6.0 (Marshmallow) ou une version supérieure, pour iOS 10.0 ou une version supérieure et pour iPhone 6 ou une version supérieure. De plus, elle est optimisée pour les smartphones Samsung (séries Galaxy S et Galaxy Note).
- Pour bénéficier de meilleures performances, l'application SmartThings est soumise à modifications sans préavis ou à une interruption de la prise en charge en fonction de la politique du fabricant.
- Les systèmes de codage recommandés incluent WPA/TKIP et WPA2/AES. Tous les protocoles d'authentification pour connexion Wi-Fi plus récents ou non standardisés ne sont pas pris en charge.
- Les réseaux sans fil peuvent être affectés par l'environnement de communication sans fil autour.
- Si votre fournisseur de services Internet a enregistré l'adresse MAC de votre ordinateur ou de votre modem à des fins d'identification, il est possible que votre réfrigérateur intelligent Samsung ne parvienne pas à se connecter à Internet. Si tel est le cas, prenez contact avec votre fournisseur de services Internet pour bénéficier d'une assistance technique.
- Les paramètres du pare-feu de votre système de réseau peuvent empêcher votre réfrigérateur intelligent Samsung d'accéder à Internet. Prenez contact avec votre fournisseur de services Internet pour bénéficier d'une assistance technique. Si ce symptôme persiste, prenez contact avec un centre de service ou un détaillant Samsung local.
- Pour configurer les paramètres du point d'accès sans fil, reportez-vous au manuel d'utilisation du point d'accès (routeur).
- Les réfrigérateurs intelligents Samsung prennent en charge la connexion Wi-Fi 2,4 GHz avec IEEE 802.11 b/g/n, ainsi que les protocoles Soft-AP (IEEE 802.11 n est recommandé).
- Les routeurs Wi-Fi sans fil non autorisés peuvent ne pas parvenir à se connecter aux réfrigérateurs intelligents Samsung applicables.



---

## Compte Samsung

Vous devez créer votre compte Samsung pour pouvoir utiliser l'application. Si vous n'avez pas de compte Samsung, suivez les instructions de l'application affichées à l'écran pour créer un compte Samsung gratuit.

### Pour commencer

Allumez le périphérique que vous souhaitez connecter, ouvrez l'application SmartThings sur votre téléphone, puis suivez les instructions ci-dessous.

Si une fenêtre contextuelle apparaît en indiquant qu'un nouveau périphérique a été détecté, appuyez doucement sur **ADD NOW (AJOUTER MAINTENANT)**.

En l'absence de fenêtre contextuelle, appuyez doucement sur le bouton **+**, puis sélectionnez le périphérique que vous souhaitez connecter dans la liste des périphériques disponibles.

Si votre périphérique ne figure pas dans la liste des périphériques disponibles, appuyez doucement sur **Supported Devices (Périphériques pris en charge)**, sélectionnez le type de périphérique (Réfrigérateur), puis sélectionnez le modèle de périphérique spécifique.

Suivez les instructions affichées sur l'application pour configurer votre périphérique. Une fois la configuration terminée, votre réfrigérateur apparaît sous forme de « carte » sur votre écran **Devices (Périphériques)**.

## Application Refrigerator

### Commande intégrée

Vous pouvez surveiller et contrôler votre réfrigérateur chez vous, de même qu'en déplacement.

- Appuyez doucement sur l'icône du réfrigérateur sur le tableau de bord SmartThings ou appuyez doucement sur l'icône Devices (Périphériques) en bas du tableau de bord, puis appuyez doucement sur la « carte » du réfrigérateur pour ouvrir la page Refrigerator (Réfrigérateur).
- Vérifiez l'état de fonctionnement ou les notifications relatives à votre réfrigérateur et modifiez des options ou des réglages si nécessaire.

### REMARQUE

Certaines options ou certains réglages du réfrigérateur peuvent ne pas être disponibles pour la commande à distance.



# Opérations

Catégorie	Élément	Description
Surveillance	Température du réfrigérateur	Affiche le réglage souhaité de la température du réfrigérateur.
	Température du congélateur	Affiche la température actuelle du congélateur.
	Réglages de la FlexZone™	Affiche les réglages de la FlexZone™.
	Diagnostic	Détecte les dysfonctionnements du réfrigérateur.
	Surveillance de l'énergie	Vérifie la consommation cumulée du réfrigérateur des 180 derniers jours.
Fonctions	Fabrication de glaçons	Vous pouvez activer ou désactiver la fonction de fabrication de glaçons et vérifier les réglages actuels de la fonction.
		Vous pouvez également vérifier l'état et l'avancée de la fabrication de glaçons.
	Refroidissement rapide	Vous pouvez activer ou désactiver la fonction Refroidissement rapide et vérifier les paramètres actuels.
	Congélation rapide	Vous pouvez activer ou désactiver la fonction Congélation rapide et vérifier les paramètres actuels.
	Température du réfrigérateur	Vous pouvez régler la température souhaitée du réfrigérateur.
	Température du congélateur	Vous pouvez régler la température souhaitée du congélateur.
	Réglages de la FlexZone™	Vous pouvez régler le mode FlexZone™ souhaité.
	Mode Sabbat	Vous pouvez activer et désactiver le mode Sabbat.
Alarmes	Température anormalement élevée	Cette alarme se déclenche lorsque le réfrigérateur, le congélateur ou la FlexZone™ présente une température anormalement élevée.
	Ouverture de la porte	Cette alarme se déclenche si la porte du réfrigérateur, le tiroir du congélateur ou le tiroir de la FlexZone™ est ouvert(e) pendant une durée spécifique.
	Débordement du remplissage automatique en eau	Si la fonction Remplissage automatique en eau détecte un débordement, cette alarme se déclenche pour vous en informer.
	Remplacement du filtre à eau	Cette alarme vous rappelle que le filtre à eau doit être remplacé.



---

## Fonction SMART GRID (Réponse à la demande)

---

Lorsque le réfrigérateur fonctionne en mode SMART GRID (Réponse à la demande), la fonction Réfrigérateur Gestion de l'énergie permet de contrôler la consommation d'énergie ou de repousser le départ de certaines fonctions pour des raisons économiques (heures pleines).

### REMARQUE

- Vous pouvez désactiver la fonction SMART GRID (Réponse à la demande) à tout moment à l'aide de la fonction Activation/Désactivation Override.
- Pour utiliser la fonction SMART GRID (Réponse à la demande), vous devez avoir un contrat séparé avec votre fournisseur d'électricité.

De plus, pour utiliser la fonction Smart Grid (Réponse à la demande), vous devez souscrire au service auprès de votre fournisseur d'électricité. Celui-ci doit disposer d'un système de gestion de l'énergie (EMS, Energy Management System) prenant en charge les profils SEP (Smart Energy profile).

### Utilisation de la fonction SMART GRID (Réponse à la demande)

Cette fonctionnalité surveille les informations de prix et de demande d'énergie de votre fournisseur et envoie des notifications au réfrigérateur pour effectuer les tâches fortement consommatrices en énergie pendant les périodes creuses où les coûts et la demande d'électricité sont plus faibles.

Si le réfrigérateur reçoit un signal de commande de la part du fournisseur d'électricité, le réfrigérateur affiche les niveaux **DAL** (niveau 3) ~ **TALR** (niveau 4) sur l'écran du réfrigérateur et contrôle la consommation d'énergie selon le niveau.

[Condition d'exception] Les signaux de contrôle de niveau **DAL** et **TALR** reçus de la part d'un fournisseur d'électricité fonctionnent tant que les performances de l'appareil sont maintenues.

Si le réfrigérateur reçoit le signal SMART GRID (Réponse à la demande) (**DAL** ou **TALR**), il fonctionne en mode Delay Appliance Load (Charge différée de l'appareil) (écran : niveau 3) ou Temporary Appliance Load Réduction (Réduction temporaire de la charge de l'appareil) (écran : niveau 4).

- Charge différée de l'appareil (Niveau 3) : Le réfrigérateur répond à un signal **DAL** en fournissant une réduction modérée de la charge pendant la durée réglée. Cette fonction commande les fonctions qui consomment beaucoup d'énergie telles qu'ajuster le système de refroidissement, exécuter le cycle de dégivrage et produire de la glace.
  - Lorsque le réfrigérateur fonctionne en mode **DAL** (niveau 3), « L3 » est affiché sur l'écran du réfrigérateur.
  - Le mode **DAL** est désactivé automatiquement à la fin de la durée stipulée par le signal **DAL** (4,5 heures maximum), ou lorsque la touche Override est actionnée.





# Opérations

- Réduction temporaire de la charge de l'appareil (niveau 4) : Le réfrigérateur répond à un signal **TALR** en fournissant une réduction important de la charge pendant une courte période. Cette fonction réduit la consommation d'énergie en arrêtant le compresseur et en contrôlant les fonctions qui consomment beaucoup d'énergie telles qu'exécuter le cycle de dégivrage et produire de la glace.
  - Lorsque le réfrigérateur fonctionne en mode **TALR** (niveau 4), « L4 » est affiché sur l'écran du réfrigérateur.
  - Le mode **TALR** (niveau 4) est désactivé automatiquement à la fin de la durée de réception (15 minutes maximum), ou lorsque la touche Override est actionnée. Le mode est immédiatement désactivé et le réfrigérateur revient à l'état normal lorsque la porte est ouverte ou fermée, ou lorsque le distributeur est utilisé.

## Vérifier l'adresse MAC



1. Dans ce mode, l'adresse MAC apparaît sur le panneau de température (sur les sections congélateur et réfrigérateur du panneau) pendant 1 minute, en suivant un certain ordre. Appuyez sur les boutons **Freezer (Congélateur)** et **Fridge (Réfrigérateur)** pendant 6 secondes. Le panneau de température clignote. Ensuite, appuyez à nouveau sur le bouton **Freezer (Congélateur)** pour afficher l'adresse MAC. Le réfrigérateur émet un signal sonore.
2. Par exemple, si l'adresse MAC est « 11-22-33-44-55-66 », le panneau de température affiche l'adresse pendant 1 minute dans cet ordre : « -- / -- » → « 11 / 22 » → « 33 / 44 » → « 55 / 66 » → « -- / -- ».  
Après 1 minute, l'adresse MAC disparaît et le panneau de température revient à l'état normal.

### REMARQUE

Le panneau de température affiche « -- / -- » pour une adresse MAC inconnue ou si la connexion Wi-Fi n'est pas établie ou est perdue.

## Mode Override (Désactivation du pic de demande)

Lorsque vous souhaitez que le réfrigérateur ignore le signal SMART GRID (Réponse à la demande) de votre fournisseur d'énergie, vous pouvez activer le mode **VERRIDE** (Désactivation du pic de demande).

Lorsque vous activez le mode **VERRIDE** (Désactivation du pic de demande), le réfrigérateur ignore le signal SMART GRID (Réponse à la demande) et ne sera pas commandé par votre fournisseur d'électricité.

---

### Activation et désactivation du mode Override (Désactivation du pic de demande)

1. Maintenez le bouton **Freezer (Congélateur)** enfoncé pendant 3 secondes.
2. L'icône Override (Désactivation du pic de demande) s'active en émettant une sonnerie, et « Or » et « on » s'affichent sur l'écran de température du congélateur et du réfrigérateur pendant 5 secondes.
3. Si le réfrigérateur reçoit un signal SMART GRID (Réponse à la demande) de votre fournisseur d'électricité, « Or » s'affiche sur l'écran de température du congélateur.
4. Pour désactiver le mode OVERRIDE, maintenez le bouton **Freezer (Congélateur)** enfoncé pendant 3 secondes.
5. L'icône Override (Désactivation du pic de demande) se désactive en émettant une sonnerie, et « Or » et « on » s'affichent sur l'écran de température du congélateur et du réfrigérateur pendant 5 secondes.

#### REMARQUE

- Sinon, vous pouvez activer ou désactiver le mode OVERRIDE (Désactivation du pic de demande) à partir de l'application SmartThings et de la fonction Energy Management (Gestion de l'énergie). Consultez la page suivante.

# Opérations

## Utilisation de la fonction Gestion de l'énergie

La fonction Energy Management (Gestion de l'énergie) vous permet de contrôler et surveiller votre réfrigérateur Energy Management (Gestion de l'énergie) à l'aide de l'application SmartThings, à des fins de commodité.

### REMARQUE

- Pour utiliser les fonctions du réfrigérateur Energy Management (Gestion de l'énergie), vous devez d'abord installer l'application correspondante.
1. État opérationnel
    - Vous pouvez vérifier les états DR et Override (Désactivation du pic de demande).
  2. Rapport de consommation d'énergie
    - Il indique la consommation d'énergie cumulée. Les données de consommation d'énergie sont mises à jour toutes les 10 minutes.

### REMARQUE

Le rapport de consommation d'énergie peut différer par rapport aux spécifications de consommation d'énergie de l'appareil, en fonction de l'environnement d'utilisation et des aliments stockés.

### 3. Fonction de dégivrage différé

- La fonction de dégivrage différé permet d'économiser de l'énergie en retardant l'opération de dégivrage à une heure spécifiée par l'utilisateur. Vous pouvez configurer l'heure et cette fonction permet d'économiser de l'énergie pendant la période spécifiée dans un cycle de 24 heures. Si l'heure n'est pas réglée, la fonction opère avec les réglages d'heure par défaut. Les réglages d'heure par défaut sont les suivants :
- de 6 h à 10 h : du 1er novembre au 30 avril
- de 15 h à 19 h : du 1er mai au 31 octobre

### Changement du réglage de l'heure de la fonction de dégivrage différé

Vous pouvez changer le réglage de l'heure pour la fonction de dégivrage différé dans l'application.

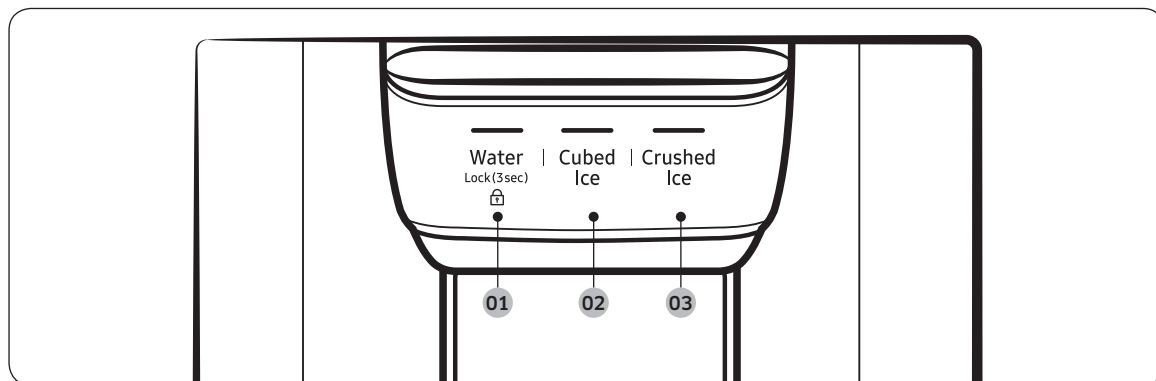
---

## Disposition pour le libre accès aux exigences pour un produit connecté

1. Normes ouvertes du SGIP (Smart Energy Profile 2.0 - <http://www.csep.org/>)
  - Rapport de consommation d'énergie
  - Demand Response (Réponse à la demande)
2. Interface API ouverte
  - État fonctionnel, réglages utilisateur et messages
  - État de la machine à glaçons : GET /icemaker/status/vs/0
  - Signal d'alarme de porte ouverte : GET /doors/vs/0
  - État DR : GET /drlc/vs/0
  - Fonction de dégivrage différé
  - Réglage de l'horaire de dégivrage différé : POST /defrost/reservation/vs/0?op=add
  - Obtention de l'horaire de dégivrage différé : GET /defrost/reservation/vs/0
  - Suppression de l'horaire de dégivrage différé : POST /defrost/reservation/vs/0?op=remove
  - Activation/Désactivation du dégivrage différé : POST /defrost/delay/vs/0

# Opérations

## Panneau du distributeur



**01** Water (Eau) / Lock (Verrouillage)

**02** Cubed Ice (Glaçons)

**03** Crushed Ice (Glace pilée)

**01** Eau / Verrouillage (3 s)

Water (Eau)	Pour verser de l'eau réfrigérée, appuyez sur <b>Water (Eau)</b> . Le voyant correspondant s'allume.
Lock (Verrouillage) (Panneau du distributeur / Levier du distributeur)	<p>Pour éviter d'utiliser les boutons du panneau du distributeur et le levier distributeur, maintenez le bouton <b>Water (Eau)</b> enfoncé pendant plus de 3 secondes. Si vous appuyez à nouveau sur ce bouton en le maintenant enfoncé pendant plus de 3 secondes, le verrouillage du distributeur sera désactivé.</p> <p>Lorsque le verrouillage du distributeur est activé, le voyant clignote si un bouton du panneau principal ou le levier du distributeur est actionné.</p> <p><b>REMARQUE</b></p> <p>Le bouton <b>Lock (Verrouillage)</b> du panneau du distributeur n'affecte pas les commandes du panneau principal. Pour verrouiller le panneau principal, utilisez la fonction Verrouillage de commande du panneau principal.</p>

**02** Glaçons

Cubed Ice (Glaçons)	Appuyez sur <b>Cubed Ice (Glaçons)</b> pour vous servir en glaçons. Le voyant correspondant s'allume.
---------------------	---

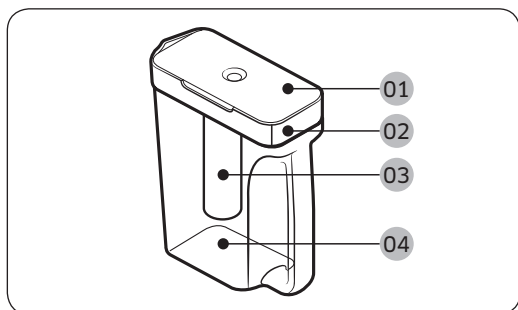
**03** Glace pilée

Crushed Ice (Glace pilée)	Appuyez sur <b>Crushed Ice (Glace pilée)</b> pour vous servir en glace pilée. Le voyant correspondant s'allume.
---------------------------	---

## Fonctions spéciales

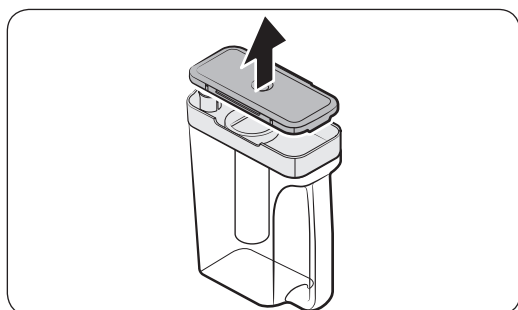
### Réservoir à eau (Remplissage automatique en eau) (modèles applicables uniquement)

La fonction Remplissage automatique en eau vous permet de faire infuser du thé glacé dans votre réfrigérateur.



- 01 Couvercle
- 02 Ouverture hermétique
- 03 Tube à infusion
- 04 Corps

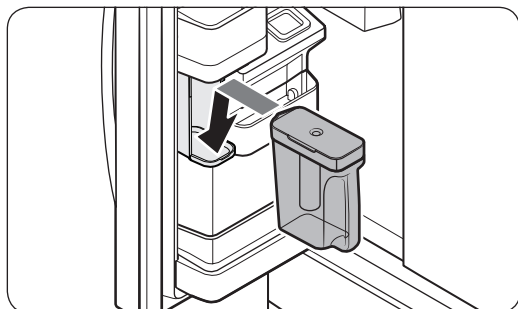
#### Remplir le réservoir à eau



1. Saisissez l'une des rainures de l'**ouverture hermétique** puis tirez vers le haut pour ouvrir le **couvercle**.
2. Placez les fruits ou les feuilles de thé à votre convenance dans le tube à infusion.

#### REMARQUE

Si vous souhaitez que l'eau infusée conserve sa concentration initiale, désactivez la fonction Auto Water Fill (Remplissage automatique en eau).

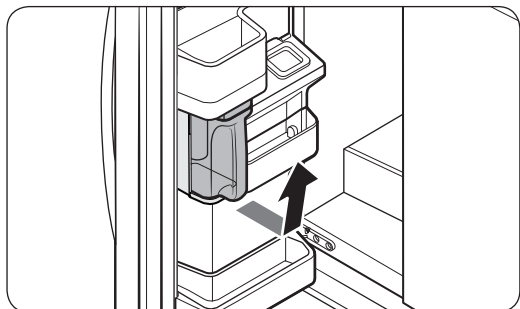


3. Activez la fonction Remplissage automatique en eau sur le panneau principal. Ouvrez la porte gauche du réfrigérateur puis installez le réservoir d'eau sur son support. Poussez-le de façon droite comme indiqué ci-contre.
4. Fermez la porte. Au bout d'un certain temps, le tube à infusion démarre pour remplir le réservoir avec de l'eau réfrigérée.

### ATTENTION

Assurez-vous que le tube à infusion est bien installé dans le support du réservoir à eau.

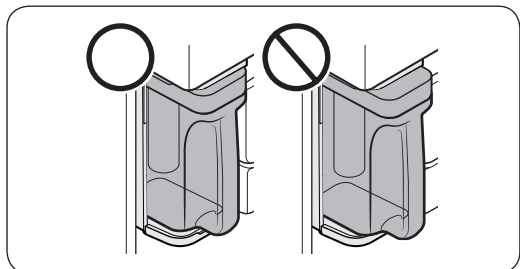
# Opérations



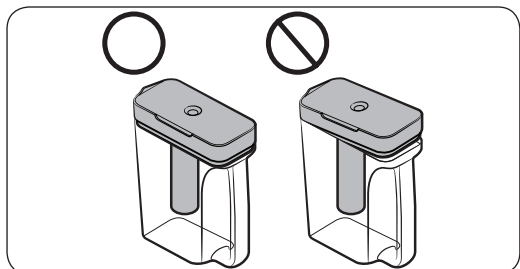
5. Pour boire du thé, ouvrez la porte et retirez le réservoir d'eau. Tirez-le de façon droite.

## ⚠ ATTENTION

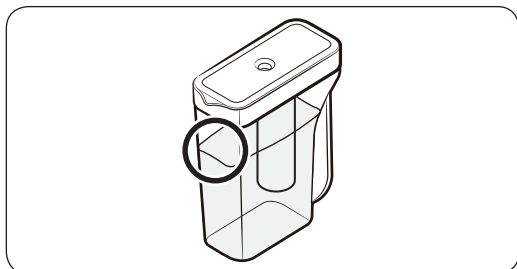
- Nous recommandons de consommer l'eau de fruits infusés dans les 24 heures. Passé ce délai, l'eau infusée peut devenir impropre à la consommation.
- Vous devez nettoyer le réservoir à eau après avoir consommé l'eau infusée ou après une longue période durant laquelle le réservoir à eau n'a pas été utilisé.



- Pour éviter que le réservoir à eau ne bascule ou ne présente une fuite, assurez-vous que le réservoir à eau est bien installé dans son support.

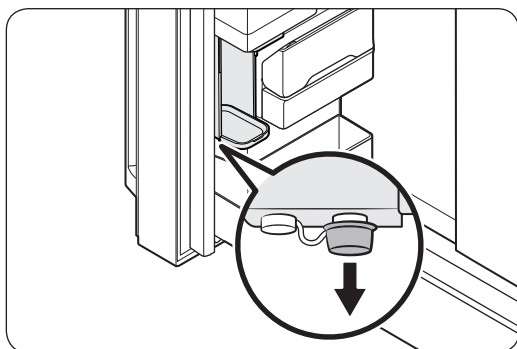


- Pour éviter que le réservoir à eau ne se renverse ou ne présente une fuite, assurez-vous que l'ouverture hermétique est bien insérée.



#### REMARQUE

- Si l'avant du réservoir d'eau (zone indiquée) est trop humide, le réservoir d'eau peut ne pas se remplir complètement. Éliminer l'humidité puis réessayez.
- La fonction Remplissage automatique en eau arrête l'alimentation en eau pour le réservoir d'eau si le réservoir d'eau ne se remplit pas d'eau au bout de quelques temps. Si tel est le cas, vérifiez si le tuyau d'eau est correctement raccordé. Retirez et réinsérez le réservoir d'eau, puis réessayez.



#### REMARQUE

- Essayez autour du support du tube à infusion si ce dernier déborde ou fuit.
- Des gouttes d'eau tombent si le bouchon en caoutchouc est ouvert.
- Le voyant Remplissage automatique en eau clignote en cas de fuite. En cas de fuite, ouvrez le bouchon en caoutchouc de façon à évacuer l'eau. Le voyant s'éteint. Toutefois, si le voyant continue à clignoter, il peut s'agir d'une défaillance du système. Contactez votre centre de service Samsung local.
- Le voyant Remplissage automatique en eau clignote en cas de fuite. Consultez la page 42 pour en savoir plus.



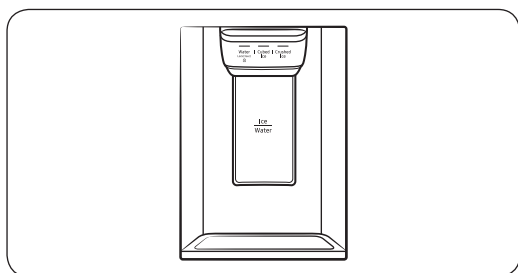
# Opérations

## Distributeur d'eau/de glaçons

Avec ce distributeur, vous pouvez verser de l'eau avec ou sans glaçons.

Le distributeur d'eau offre 3 options : eau réfrigérée, glaçons et glace pilée. Pour verser de l'eau réfrigérée, appuyez sur le bouton **Water (Eau)** du panneau du distributeur. Placez un verre sous le distributeur, puis appuyez sur le levier distributeur.

Pour verser de l'eau avec de la glace



1. Avec la machine à glaçons activée, appuyez sur le bouton **Cubed Ice (Glaçons)** ou **Crushed Ice (Glace pilée)** pour sélectionner le type de glace.
2. Placez un verre sous le distributeur, puis appuyez sur le **levier distributeur** avec le verre. Les glaçons sortiront du distributeur.
3. Appuyez sur le bouton **Water (Eau)** pour sélectionner de l'eau.
4. Appuyez sur le **levier distributeur** avec votre verre. De l'eau sortira du distributeur.

### REMARQUE

- Le distributeur arrêtera de verser de l'eau si vous maintenez enfoncé le levier du distributeur pendant 1 minute. Pour verser davantage d'eau, relâchez puis appuyez sur le levier une nouvelle fois.
- Veillez à ce que le verre soit aligné avec le distributeur afin d'éviter que l'eau ne vous éclabousse.
- Si vous n'utilisez pas le distributeur d'eau pendant 2 à 3 jours, l'eau distribuée peut avoir une odeur ou un goût étrange. Il ne s'agit pas d'un dysfonctionnement du système. Jetez le premier et les 2 premiers verres d'eau.

## Machine à glaçons

Le réfrigérateur dispose d'une machine à glaçons intégrée qui distribue automatiquement de la glace, afin que vous puissiez bénéficier d'eau filtrée avec des glaçons ou de la glace pilée.

### Fabrication de glaçons

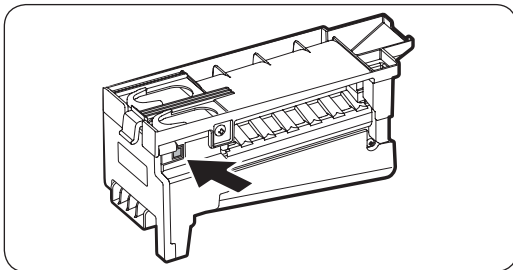
Après avoir installé votre réfrigérateur et l'avoir branché, suivez ces instructions pour garantir une fabrication appropriée de glaçons et garder de la glace à disposition dans le bac à glaçons :

1. Laissez le réfrigérateur en marche pendant 24 heures afin de garantir des performances optimales.
2. Versez les 4 à 6 premiers glaçons dans un verre.
3. Attendez encore 8 heures et versez 4 à 6 autres glaçons.
4. Ensuite, attendez encore 16 heures et versez le premier verre plein de glace.

## REMARQUE

- Si vous consommez toute la glace en une seule fois, vous devez attendre 8 heures avant de pouvoir verser les 4 à 6 premiers glaçons. Cela permet de s'assurer que le bac à glaçons est rempli de glaçons de façon appropriée.
- Les glaçons générés rapidement peuvent sembler blancs, ce qui est normal.

## Diagnostic



Si vous n'arrivez pas à verser de glaçons, vérifiez d'abord la machine à glaçons.

1. Appuyez sur le bouton **Test** sur le côté de la machine à glaçons. Vous entendrez un signal sonore (ding-dong) lorsque vous appuierez sur le bouton.
2. Vous entendrez un autre signal sonore si la machine à glaçons fonctionne correctement.

## ATTENTION

- Si la machine à glaçons émet un signal sonore de façon répétitive, contactez l'installateur de la conduite d'eau ou un centre de service Samsung local.
- N'appuyez pas plusieurs fois sur le bouton **Test** une fois que le bac à glaçons est rempli de glace ou d'eau. De l'eau pourrait déborder ou la glace pourrait se coincer.
- Ne placez pas d'aliments dans le bac à glaçons. Les aliments surgelés peuvent endommager la machine à glaçons, en particulier lorsque vous ouvrez ou fermez la porte.
- Lorsque l'alimentation du réfrigérateur est rétablie après une panne de courant, le bac à glaçons peut contenir un mélange de glaçons fondus ou coincés, et empêcher la machine à glaçons de fonctionner correctement. Pour éviter cela, assurez-vous de vider le bac à glaçons pour que celui-ci puisse se remplir à nouveau de glaçons frais et non collés.
- Ne mettez pas les doigts ni d'autres objets dans la sortie du distributeur ou la machine à glaçons. Cela pourrait provoquer des blessures corporelles ou des dommages matériels.
- Au moment de la remise en place du bac de la machine à glaçons, assurez-vous que ce dernier soit bien centré au niveau de l'entrée. Cela évitera qu'il ne reste bloqué.

### Si vous éteignez la machine à glaçons

Si vous maintenez le bouton **Ice Maker (Machine à glaçons)** enfoncé pendant plus de 3 secondes pour désactiver la machine à glaçons, assurez-vous de retirer tous les glaçons présents dans le bac à glaçons. Les glaçons restants peuvent se coller entre eux et devenir difficiles à retirer.

Pour retirer le bac à glaçons, reportez-vous la section **Bac à glaçons (modèles applicables uniquement)** en page 65.

# Opérations

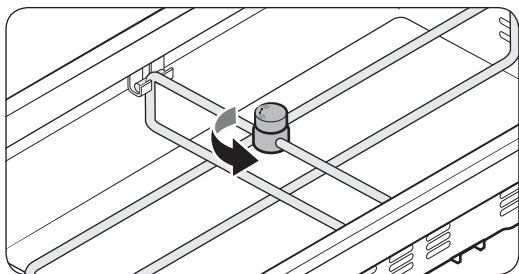
## REMARQUE

- Le retrait du bac à glaçons n'affecte pas les performances thermiques et mécaniques du réfrigérateur.

### Eau trouble

L'eau alimentée dans le réfrigérateur passe à travers un filtre pour eau alcaline. Pendant ce processus de filtrage, la pression de l'eau augmente et l'eau devient saturée en oxygène et en azote. L'eau semble donc temporairement floue ou trouble lorsqu'elle est versée. Ceci est normal ; l'eau deviendra transparente après quelques secondes.

### Grille de séparation de la zone ajustable FlexZone™



Vous pouvez changer la position de la grille de séparation.

Pour ce faire, déverrouillez la grille de séparation en tournant la molette dans le sens antihoraire. Puis, déplacez les barres de hauteur et de largeur de façon appropriée. Ensuite, tournez la molette dans le sens horaire pour verrouiller la grille de séparation.

## REMARQUE

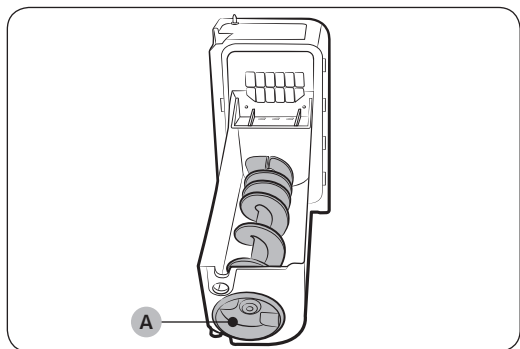
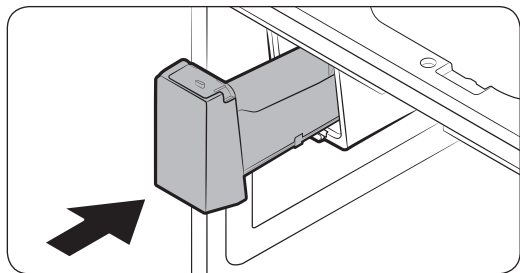
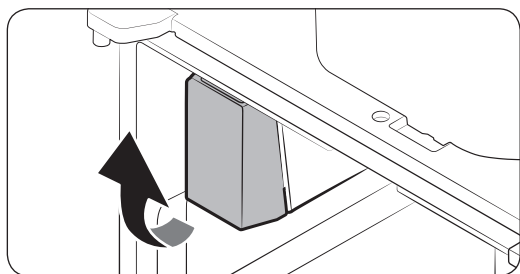
Si la grille de séparation ne fonctionne pas, essayez les barres pour en retirer l'humidité.

# Maintenance

## Utilisation et entretien

### Bac à glaçons (modèles applicables uniquement)

Si vous ne versez pas de glaçons pendant une période prolongée, les glaçons peuvent se coller entre eux à l'intérieur du bac. Si tel est le cas, retirez et videz le bac à glaçons.



1. Pour retirer le bac à glaçons, soulevez-le doucement et retirez-le lentement en tirant dessus, en tenant le bas du bac avec une main et le côté avec l'autre main.
2. Videz le bac.
3. Une fois l'opération terminée, remettez le bac en position. Si le bac ne rentre pas, tournez la vis hélicoïdale de 90 degrés et réessayez.

Si le bac à glaçons n'est pas fermement mis en place, faites tourner la vis hélicoïdale (A) de 90 degrés, puis réessayez.

### ! ATTENTION

- N'exercez pas de pression excessive sur le cache du bac. Il risquerait de se casser.
- Ne forcez pas la fermeture de la porte. De l'eau peut déborder de la machine à glaçons.
- Pour éviter tout risque de blessure, assurez-vous d'essuyer toute la glace ou l'eau qui est tombée sur le sol.
- Pour éviter tout risque d'accident ou de blessure, ne laissez pas les enfants jouer avec le distributeur d'eau ou la machine à glaçons.

# Maintenance

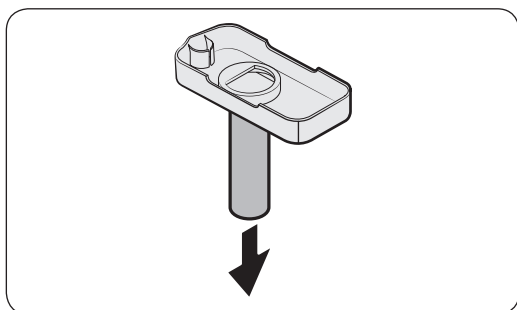
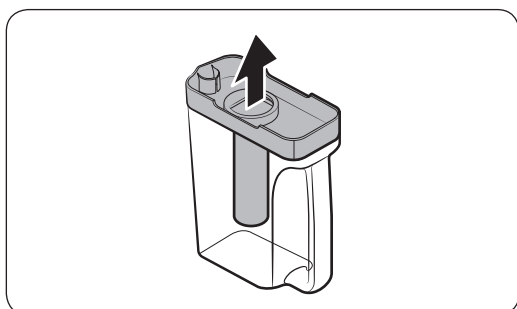
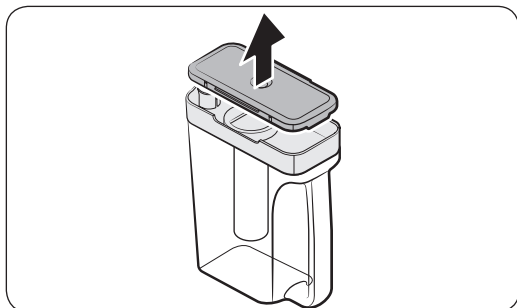
---

- N'insérez jamais vos doigts ou un objet dans le conduit d'écoulement. Cela pourrait provoquer des blessures corporelles ou des dommages matériels.
- Utilisez uniquement le bac à glaçons fourni. Les bacs à glaçons de tiers peuvent provoquer une défaillance du système.

## REMARQUE

- La pression d'eau requise pour produire des glaçons est comprise entre 20 et 125 psi (138 et 862 kPa).
- Le bruit généré par la machine à glaçons lors du processus de fabrication des glaçons est normal.
- Lorsque la porte est ouverte, ni la machine à glaçons ni le distributeur d'eau ne fonctionnent.

## Remplissage automatique en eau (modèles applicables uniquement)



1. Saisissez l'une des rainures de l'ouverture hermétique puis tirez vers le haut pour la retirer.

2. Saisissez les deux côtés de l'ouverture hermétique avant de lever pour la retirer.

3. Tout en tournant délicatement le tube à infusion, retirez-le de l'ouverture hermétique.

4. Nettoyez le tube à infusion avec des agents neutres et de l'eau claire. Rincez et séchez.

5. Pour relancer la fonction Auto Water Fill (Remplissage automatique en eau), suivez la procédure dans le sens inverse.

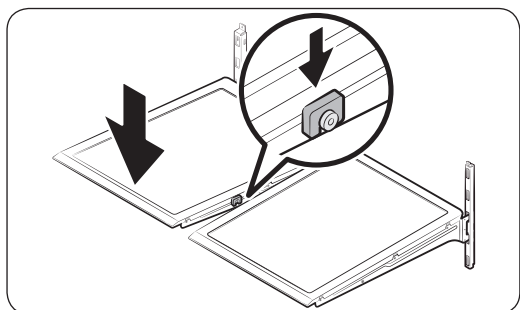
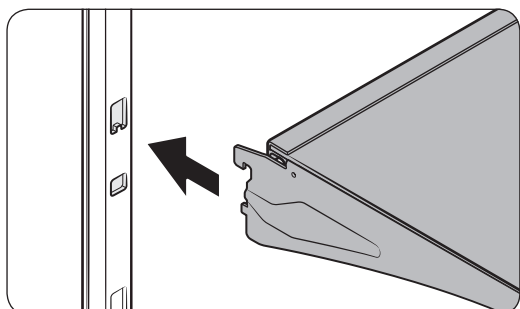
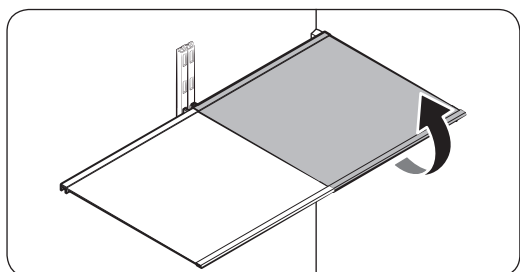
### **ATTENTION**

Le pichet d'eau et son couvercle ne doivent pas être passés au lave-vaisselle car ils risqueraient de se déformer en raison des températures élevées. Veuillez les laver à la main dès que nécessaire.

# Maintenance

## Clayettes du réfrigérateur

L'aspect des clayettes diffère selon les modèles.



- Pour retirer une clayette, ouvrez la porte correspondante entièrement. Attrapez la clayette par l'avant, puis soulevez-la doucement et faites-la glisser pour la retirer.

### REMARQUE

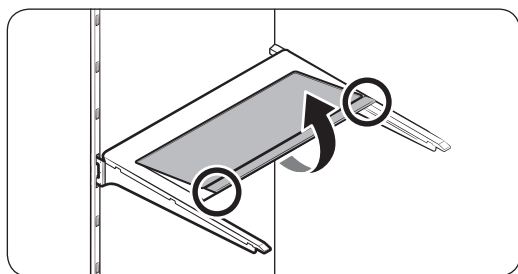
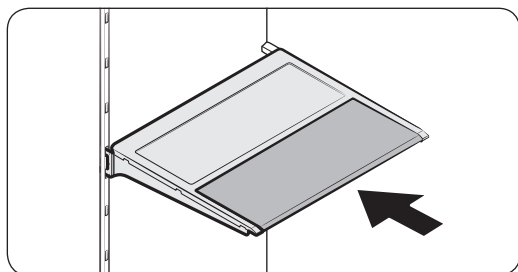
Ne levez pas complètement la clayette lorsque vous la retirez ou la réinsérez. La paroi arrière du réfrigérateur peut être bosselée.

- Pour la remettre en place, maintenez la clayette à un angle de sorte que l'avant soit plus que l'arrière, puis insérez le crochet supérieur dans l'encoche de la clayette supérieure. Puis, abaissez la clayette et insérez le crochet de la clayette inférieure dans l'encoche de la clayette inférieure.

### ATTENTION

- Les clayettes en verre trempé sont lourdes. Soyez prudent lors de leur retrait.
- La clayette doit être mise en place correctement. Ne la mettez pas en place à l'envers.
- Les récipients en verre peuvent rayer la surface des clayettes en verre.

## Clayette pliante

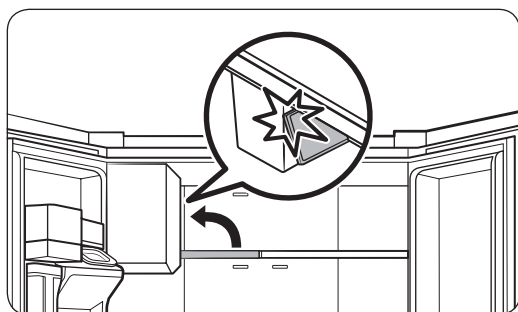


Pour la retirer, faites glisser la clayette vers le haut pour la plier. Soulevez-la doucement et retirez-la. Pour la réinsérer, placez-la sur la cornière dans l'unité principale puis appuyez dessus pour la déplier.

### ⚠ ATTENTION

Après avoir fait glisser la clayette pliante pour la replier, vous pouvez retirer la partie avant de la clayette au besoin. Si vous utilisez la clayette sans retirer la partie avant, veillez à ce que celle-ci ne se détache pas de la partie arrière.

## Emplacement recommandé de la clayette pliante



La clayette pliante se plie en son centre, ce qui augmente l'espace de stockage.

- Insérez la clayette du côté droit du réfrigérateur. L'insertion à gauche ne permet pas à la clayette de se plier complètement.
- Pour la plier, poussez doucement la partie avant de la clayette vers l'intérieur afin qu'elle se plie à partir du milieu.

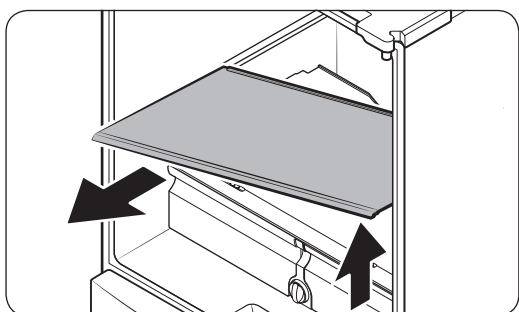
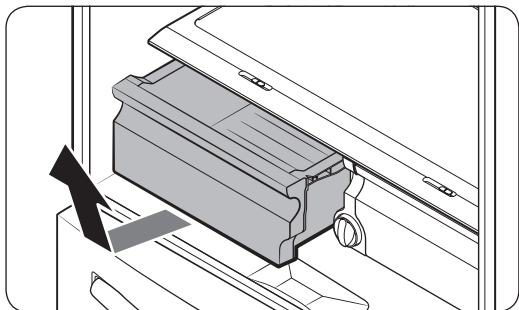
### ⚠ ATTENTION

Ne levez pas et ne tournez pas rapidement la clayette pliante pour retirer des aliments sous cette dernière. Elle risquerait de tomber.



# Maintenance

## Clayette à légumes



1. Faites glisser le tiroir à légumes du côté gauche pour le retirer.

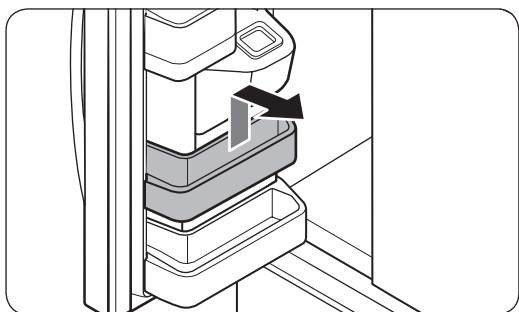
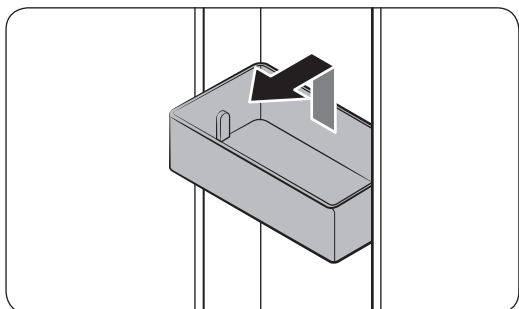
2. Tout en soutenant la clayette à légumes avec une main, faites-la glisser avec l'autre main pour la retirer.

### REMARQUE

Retirez la clayette à légumes pour utiliser l'espace dégagé avec le retrait de la clayette pliante.

Pour la remettre en place, suivez les étapes ci-dessus dans l'ordre inverse.

## Bacs de la porte



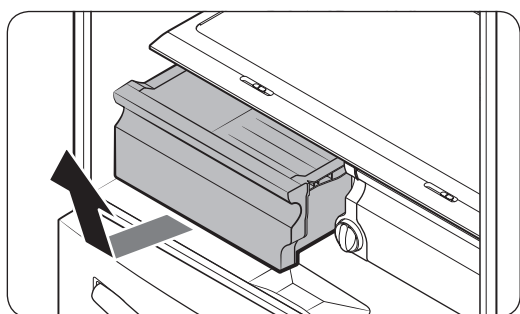
- Pour retirer le **bac de la porte**, tenez le côté avant du bac puis levez-le délicatement pour le retirer.
- Pour la réinsérer, insérez le **bac de la porte** légèrement au-dessus de son emplacement final en vous assurant que la partie arrière du bac se trouve contre la porte. Tenez la partie arrière du **bac de la porte** avec les deux mains puis appuyez pour qu'il s'insère correctement.

### ATTENTION

- Ne retirez pas un bac rempli d'aliments. Videz-le au préalable.
- Ouvrez la porte avec précaution si le bac du fond contient de grandes bouteilles, ces dernières pouvant tomber.
- Ne laissez pas les enfants jouer avec les bacs. Les coins pointus du bac peuvent vous blesser.

## Tiroirs du réfrigérateur

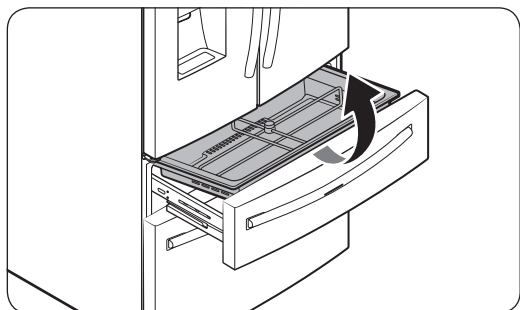
### Bacs à fruits et légumes



Soulevez doucement l'avant du tiroir et faites-le glisser pour le retirer.

- Nous vous recommandons de retirer les bacs de la porte avant de retirer le tiroir. Cela permet d'éviter d'endommager les bacs de la porte.
- Pour réinsérer, insérez le tiroir dans les rails du cadre puis faites-le glisser vers l'intérieur.

### Bac de la FlexZone™

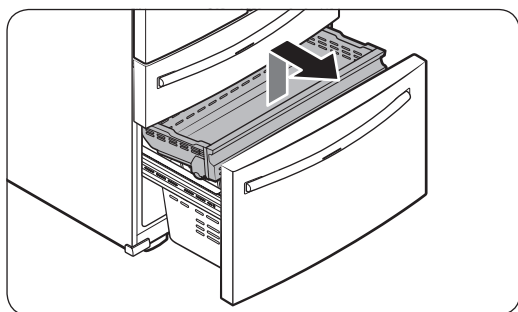


- Pour le retirer, ouvrez complètement le tiroir de la FlexZone™. Levez le bac de la FlexZone™ puis retirez-le avec les deux mains.
- Pour le réinsérer, ouvrez complètement le tiroir de la FlexZone™. Tout en inclinant la partie avant du bac vers le haut, insérez la partie arrière du bac dans les rails. Abaissez la partie avant jusqu'à ce qu'elle s'insère.
- Si la grille de séparation ne fonctionne pas, essayez les barres pour en retirer l'humidité.

# Maintenance

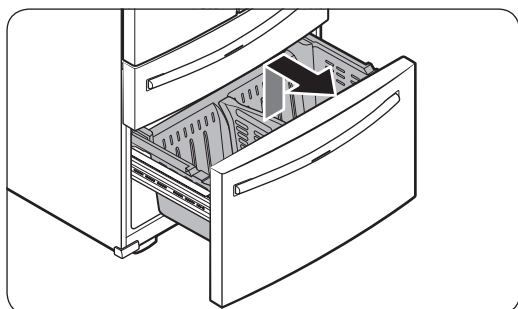
## Bacs du congélateur

### Bac supérieur



- Pour le retirer, faites glisser complètement le tiroir du congélateur. Poussez le **bac supérieur** à son extrémité puis tirez-le vers le haut pour le retirer.
- Pour le réinsérer, alignez les roues avant du **bac supérieur** avec l'extrémité du **bac inférieur**. Faites glisser le **bac supérieur** vers l'avant.

### Bac inférieur



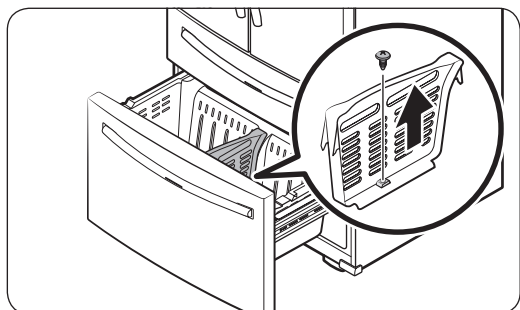
- Pour le retirer, retirez d'abord le **bac supérieur**. Puis, inclinez la partie avant du **bac inférieur** pour le retirer.
- Pour le réinsérer, placez le bac sur les rails, partie arrière en premier.

### ⚠ ATTENTION

- Ne tournez pas le bac lorsque vous le retirez ou le réinsérez. Le bac risquerait de se rayer.
- Pour éviter toute blessure physique, tout dommage matériel ou étouffement, mettez les bacs du congélateur hors de portée des enfants une fois retirés.
- Ne retirez pas la grille de séparation.
- Placez les roulettes du bac supérieur sur l'extrémité des rails du bac inférieur. Puis, faites coulisser le bac supérieur vers l'avant. Autrement, le tiroir ne s'ouvrira ou ne se fermera pas correctement, ce qui peut entraîner une accumulation de givre.

---

### Grille de séparation du bac du congélateur



Desserrez et retirez la vis sur le côté inférieur de la grille de séparation. Ensuite, tirez tout droit vers le haut pour retirer la grille de séparation.

# Maintenance

## Nettoyage

### Intérieur et extérieur

#### **AVERTISSEMENT**

- N'utilisez pas de benzène, de diluant, de nettoyeur domestique/pour voiture ou d'eau de Javel (Clorox™) pour nettoyer le réfrigérateur. Ces produits risquent d'endommager la surface du réfrigérateur et de provoquer un incendie.
- Évitez de vaporiser de l'eau directement sur le réfrigérateur. Cela est susceptible de provoquer un choc électrique.

Retirez régulièrement toutes les substances étrangères telles que la poussière ou l'eau des fiches de la prise électrique et des points de contact à l'aide d'un chiffon sec.

1. Débranchez le cordon d'alimentation.
2. Mouillez légèrement un chiffon doux non pelucheux ou une serviette en papier pour nettoyer l'intérieur et l'extérieur du réfrigérateur.
3. Ensuite, utilisez un chiffon sec ou une serviette en papier pour bien sécher les surfaces.
4. Branchez le cordon d'alimentation.

### Distributeur de glace/d'eau

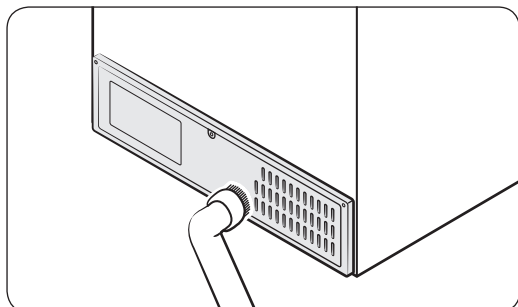
#### **ATTENTION**

Lorsque la glace pilée est sélectionnée, des morceaux de glace résiduels peuvent s'accumuler dans le conduit d'écoulement de la glace. Pour éviter cela, retirez la glace résiduelle du conduit d'écoulement à l'aide d'un chiffon propre et doux.

### Joint en caoutchouc

Si les joints en caoutchouc d'une porte se salissent, la porte peut ne pas se fermer correctement et les performances et l'efficacité du réfrigérateur peuvent être affectées. Utilisez un produit nettoyeur et un chiffon doux pour nettoyer les joints en caoutchouc. Essayez bien avec un chiffon.

### Panneau arrière



Pour maintenir les cordons et les pièces exposées du panneau arrière propres, aspirez le panneau une ou deux fois par an.

## ATTENTION

Ne retirez pas la partie arrière du couvercle du panneau. Un choc électrique peut se produire.

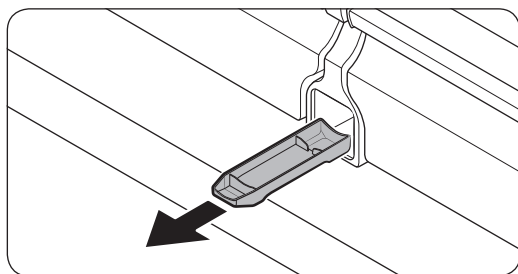
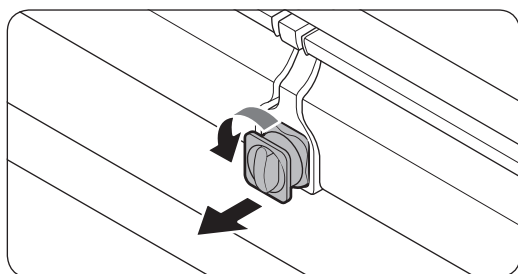
## Remplacement

### Filtre à eau

#### AVERTISSEMENT

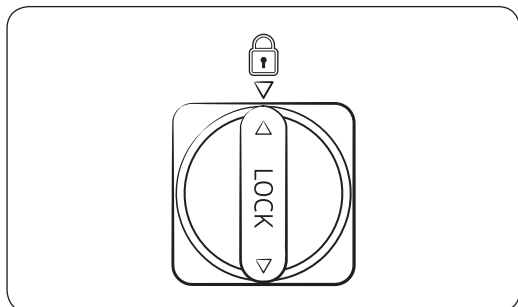
- N'utilisez pas de filtres à eau de tiers. Utilisez uniquement des filtres fournis ou homologués Samsung.
- Les filtres non homologués peuvent fuir ou endommager le réfrigérateur, entraînant alors un risque d'électrocution. Samsung ne peut être tenue responsable en cas de dommages découlant de l'utilisation de filtres à eau de tiers.

Le voyant Réinitialisation du filtre (**Filter**) devient rouge pour vous rappeler qu'il est temps de remplacer le filtre à eau. Avant de remplacer le filtre, assurez-vous que la conduite d'alimentation en eau est coupée.



1. Fermez la conduite d'arrivée d'eau.
2. Tournez le bouton du compteur de cartouches de filtre dans le sens horaire de 90 degrés (1/4 de tour). La cartouche de filtre se déverrouille.
3. Tirez dessus pour retirer la cartouche.
  - Si le filtre à eau est très contaminé, la cartouche peut être difficile à retirer. Si tel est le cas, utilisez la force pour retirer la cartouche.
  - Pour éviter les fuites d'eau au niveau de l'ouverture du filtre, gardez la cartouche dans l'axe lors de son retrait.
4. Mettez la nouvelle cartouche de filtre en place. Utilisez uniquement des filtres fournis ou homologués Samsung.

# Maintenance



5. Tournez le bouton de la cartouche dans le sens horaire pour la verrouiller en place.
6. Maintenez le bouton **Filter Reset (Réinitialisation du filtre)** enfoncé sur le panneau principal pendant 3 secondes pour réinitialiser le détecteur du cycle de vie. Le voyant Filter Reset (Réinitialisation du filtre) (**Filter**) s'éteint.
7. Une fois le remplacement du filtre terminé, ouvrez le robinet d'eau et versez de l'eau dans le distributeur pendant environ 7 minutes. Cela permet d'éliminer les impuretés et l'air provenant de la conduite d'eau.

## REMARQUE

- De l'eau peut brièvement gicler du distributeur d'eau si le filtre a récemment été installé. Cela est dû à l'air pénétrant dans la conduite d'eau.
- Après le processus de remplacement, le distributeur d'eau peut goutter pendant une courte durée. S'il goutte, essuyez simplement l'eau présente sur le sol à l'aide d'un chiffon sec.

## Système de filtration d'eau d'osmose inverse

La pression d'eau du système d'alimentation en eau vers un système de filtration d'eau d'osmose inverse doit être comprise entre 35 psi et 120 psi (241 kPa et 827 kPa).

La pression d'eau du système de filtration d'eau d'osmose inverse vers la conduite d'eau du réfrigérateur doit être d'au moins 40 psi (276 kPa). Si la pression d'eau est inférieure à ces spécifications :

- Vérifiez si le filtre sédiment du système d'osmose inverse n'est pas obstrué. Remplacez le filtre si nécessaire.
- Remplissez à nouveau le réservoir d'eau dans le système d'osmose inverse avec de l'eau.
- Si votre réfrigérateur est équipé d'un filtre à eau, cela peut réduire davantage la pression de l'eau s'il est utilisé en conjonction avec un système d'osmose inverse. Retirez le filtre à eau.

Pour plus d'informations ou un entretien, contactez un plombier professionnel autorisé.

## Commander un filtre neuf

Pour acheter un filtre à eau neuf, contactez un centre de service Samsung local ou consultez le site Web ([www.samsungparts.com](http://www.samsungparts.com)).

## Ampoules à DEL

Pour remplacer les ampoules du réfrigérateur, contactez un centre de service Samsung local.

## AVERTISSEMENT

- Les ampoules ne peuvent pas être remplacées par l'utilisateur. N'essayez pas de remplacer une ampoule par vous-même. Cette opération peut causer une électrocution.

# Dépannage

Avant de contacter le service d'assistance, vérifiez les symptômes et les solutions recommandées ci-dessous. Si aucune des solutions proposées ne résout votre problème, veuillez vous rendre sur notre site Web [www.samsung.com](http://www.samsung.com) ou appeler le centre d'assistance clientèle Samsung au 1-800-SAMSUNG (726-7864). Notez que toute intervention du service d'assistance au cours de laquelle aucune défaillance n'est trouvée vous sera facturée.

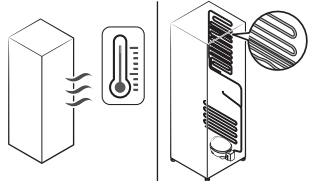
## Généralités

### Température

Symptôme	Causes possibles	Solution
Le réfrigérateur/ congélateur ne fonctionne pas. La température du réfrigérateur/congélateur est élevée.	<ul style="list-style-type: none"><li>Le cordon d'alimentation est mal branché.</li></ul>	<ul style="list-style-type: none"><li>Branchez correctement le cordon d'alimentation.</li></ul>
	<ul style="list-style-type: none"><li>Le contrôle de la température n'est pas réglé correctement.</li></ul>	<ul style="list-style-type: none"><li>Abaissez la température.</li></ul>
	<ul style="list-style-type: none"><li>Le réfrigérateur se trouve à proximité d'une source de chaleur ou est en contact direct avec les rayons du soleil.</li></ul>	<ul style="list-style-type: none"><li>Éloignez votre réfrigérateur de la lumière directe du soleil et de toute source de chaleur.</li></ul>
	<ul style="list-style-type: none"><li>Espace insuffisant entre le réfrigérateur et les murs ou armoires à proximité.</li></ul>	<ul style="list-style-type: none"><li>Assurez-vous qu'il y ait un espace minimal de 2,5 pouces (5 cm) entre l'arrière/les côtés du réfrigérateur et tout mur ou armoire à proximité.</li></ul>
	<ul style="list-style-type: none"><li>Le mode Économiseur d'énergie est activé.</li></ul>	<ul style="list-style-type: none"><li>Désactivez le mode Économiseur d'énergie.</li></ul>
	<ul style="list-style-type: none"><li>Le réfrigérateur est surchargé. Les orifices d'aération du réfrigérateur sont obstrués par des aliments.</li></ul>	<ul style="list-style-type: none"><li>Ne surchargez pas le réfrigérateur. Veillez à ce que les orifices d'aération ne soient pas bloqués par des aliments.</li></ul>
Le réfrigérateur/ congélateur refroidit trop.	<ul style="list-style-type: none"><li>Le contrôle de la température n'est pas réglé correctement.</li></ul>	<ul style="list-style-type: none"><li>Augmentez la température.</li></ul>



# Dépannage

Symptôme	Causes possibles	Solution
Les parois intérieures sont chaudes.	<ul style="list-style-type: none"> <li>Le réfrigérateur est équipé de tuyaux résistants à la chaleur dans la paroi intérieure.</li> </ul>	<ul style="list-style-type: none"> <li>Pour prévenir de la condensation, le réfrigérateur est équipé de tuyaux résistants à la chaleur dans les coins avant. Lorsque la température ambiante augmente, cet équipement peut ne pas fonctionner correctement. Il ne s'agit pas d'un dysfonctionnement du système.</li> </ul> 

## Odeurs

Symptôme	Causes possibles	Solution
Le réfrigérateur dégage des odeurs.	<ul style="list-style-type: none"> <li>Aliments abîmés.</li> </ul>	<ul style="list-style-type: none"> <li>Nettoyez le réfrigérateur et retirez tout aliment abîmé.</li> </ul>
	<ul style="list-style-type: none"> <li>Aliments dégageant de fortes odeurs.</li> </ul>	<ul style="list-style-type: none"> <li>Assurez-vous que les aliments dégageant de fortes odeurs sont emballés de manière hermétique.</li> </ul>

## Givre

Symptôme	Causes possibles	Solution
Givre autour des aérations.	<ul style="list-style-type: none"> <li>Les orifices d'aération sont obstrués par des aliments.</li> </ul>	<ul style="list-style-type: none"> <li>Assurez-vous qu'aucun aliment n'obstrue les orifices d'aération du réfrigérateur.</li> </ul>
Givre sur les parois intérieures.	<ul style="list-style-type: none"> <li>La porte n'est pas fermée correctement.</li> </ul>	<ul style="list-style-type: none"> <li>Assurez-vous qu'aucun aliment ne bloque la porte. Nettoyez le joint de la porte.</li> </ul>
Des fruits ou des légumes sont congelés.	<ul style="list-style-type: none"> <li>Les fruits et les légumes sont stockés dans la zone ajustable FlexZone™.</li> </ul>	<ul style="list-style-type: none"> <li>Ne stockez pas la plupart des fruits et légumes dans la zone ajustable FlexZone™.</li> </ul>

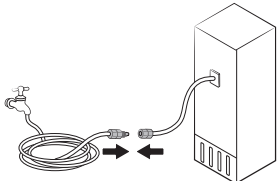
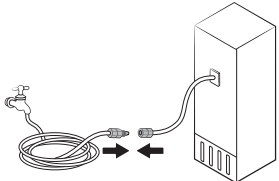
## Condensation

Symptôme	Causes possibles	Solution
De la condensation se forme sur les parois intérieures.	<ul style="list-style-type: none"><li>• Si la porte reste ouverte, de l'humidité entre dans le réfrigérateur.</li></ul>	<ul style="list-style-type: none"><li>• Éliminez l'humidité, évitez d'ouvrir la porte trop souvent ou de la laisser ouverte trop longtemps.</li></ul>
	<ul style="list-style-type: none"><li>• Des aliments contiennent une humidité élevée.</li></ul>	<ul style="list-style-type: none"><li>• Assurez-vous que ces aliments sont emballés de manière hermétique.</li></ul>

## Eau/Glace (modèles avec distributeur uniquement)

Symptôme	Causes possibles	Solution
Le débit d'eau est plus faible qu'en temps normal.	<ul style="list-style-type: none"><li>• La pression de l'eau est trop basse.</li></ul>	<ul style="list-style-type: none"><li>• Assurez-vous que la pression de l'eau se situe entre 20 et 120 psi.</li></ul>
La machine à glaçons émet un bourdonnement.	<ul style="list-style-type: none"><li>• La fonction Machine à glaçons est activée mais l'arrivée d'eau n'a pas été raccordée au réfrigérateur.</li></ul>	<ul style="list-style-type: none"><li>• Appuyez sur <b>Ice Maker (Machine à glaçons)</b>.</li></ul>
La machine à glaçons ne produit pas de glace.	<ul style="list-style-type: none"><li>• La machine à glaçons vient d'être installée.</li></ul>	<ul style="list-style-type: none"><li>• Vous devez attendre 12 heures jusqu'à ce que le réfrigérateur produise de la glace.</li></ul>
	<ul style="list-style-type: none"><li>• La température du congélateur est trop élevée.</li></ul>	<ul style="list-style-type: none"><li>• Réglez la température du congélateur en dessous de 0 °F (-18 °C) ou -4 °F (-20 °C) si l'air ambiant est chaud.</li></ul>
	<ul style="list-style-type: none"><li>• Le verrouillage du panneau du distributeur est activé.</li></ul>	<ul style="list-style-type: none"><li>• Désactivez le verrouillage du panneau du distributeur</li></ul>
	<ul style="list-style-type: none"><li>• La machine à glaçons est éteinte.</li></ul>	<ul style="list-style-type: none"><li>• Allumez la machine à glaçons.</li></ul>

# Dépannage

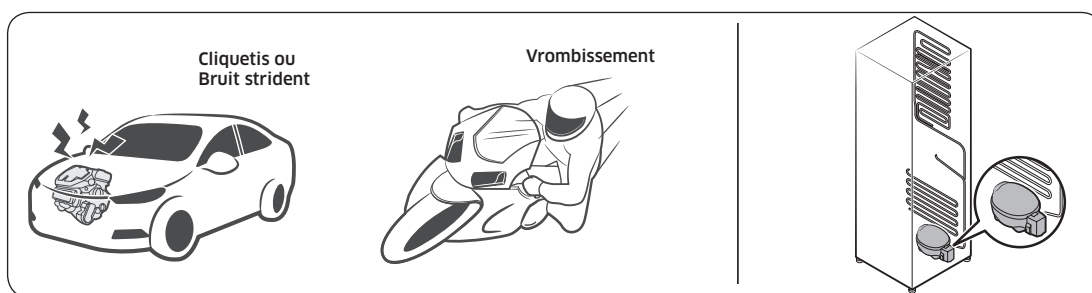
Symptôme	Causes possibles	Solution
La glace ne s'écoule pas.	<ul style="list-style-type: none"> <li>La glace peut se coincer si le distributeur de glace n'est pas utilisé pendant une période prolongée (environ 3 semaines).</li> </ul>	<ul style="list-style-type: none"> <li>Si vous savez que vous n'allez pas utiliser votre réfrigérateur pendant une période prolongée, videz le bac à glaçons et éteignez la machine à glaçons.</li> </ul>
	<ul style="list-style-type: none"> <li>Le bac à glaçons n'est pas inséré correctement.</li> </ul>	<ul style="list-style-type: none"> <li>Assurez-vous que le bac à glaçons est inséré correctement.</li> </ul>
	<ul style="list-style-type: none"> <li>La conduite d'eau n'est pas raccordée correctement ou l'arrivée d'eau n'est pas activée.</li> </ul>	<ul style="list-style-type: none"> <li>Vérifiez si la conduite d'eau est installée correctement. Vérifiez si le robinet d'arrêt de la conduite d'eau est fermé.</li> </ul> 
L'eau ne s'écoule pas.	<ul style="list-style-type: none"> <li>La conduite d'eau n'est pas raccordée correctement ou l'arrivée d'eau n'est pas activée.</li> </ul>	<ul style="list-style-type: none"> <li>Vérifiez si la conduite d'eau est installée correctement. Vérifiez si le robinet d'arrêt de la conduite d'eau est fermé.</li> </ul> 
	<ul style="list-style-type: none"> <li>Le verrouillage du panneau du distributeur est activé.</li> </ul>	<ul style="list-style-type: none"> <li>Désactivez le verrouillage du panneau du distributeur</li> </ul>
	<ul style="list-style-type: none"> <li>Un filtre provenant d'un tiers a été installé.</li> </ul>	<ul style="list-style-type: none"> <li>Utilisez uniquement des filtres fournis ou homologués Samsung.</li> <li>Les filtres non homologués peuvent fuir ou endommager le réfrigérateur.</li> </ul>
	<ul style="list-style-type: none"> <li>Le voyant du filtre à eau s'allume ou clignote.</li> </ul>	<ul style="list-style-type: none"> <li>Remplacez le filtre à eau. Une fois le filtre remplacé, réinitialisez le capteur du voyant du filtre.</li> </ul>

## Entendez-vous des sons anormaux provenant du réfrigérateur?

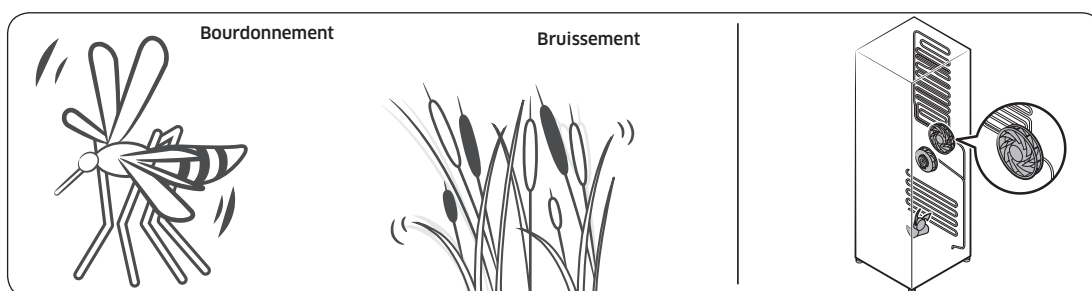
Avant de contacter le service d'assistance, vérifiez les points ci-dessous. Si vous avez encore des questions à poser concernant des bruits émis par votre réfrigérateur, veuillez appeler le centre d'assistance clientèle Samsung au 1-800-SAMSUNG (726-7864). Notez que toute intervention du service d'assistance concernant des bruits normaux de fonctionnement au cours desquelles aucune défaillance n'est trouvée vous sera facturée.

### Ces sons sont normaux.

- Lorsqu'il commence ou termine une opération, le réfrigérateur peut émettre des sons semblables à ceux entendus lors de l'allumage d'un moteur de voiture. À mesure que l'opération se stabilise, les sons diminuent.

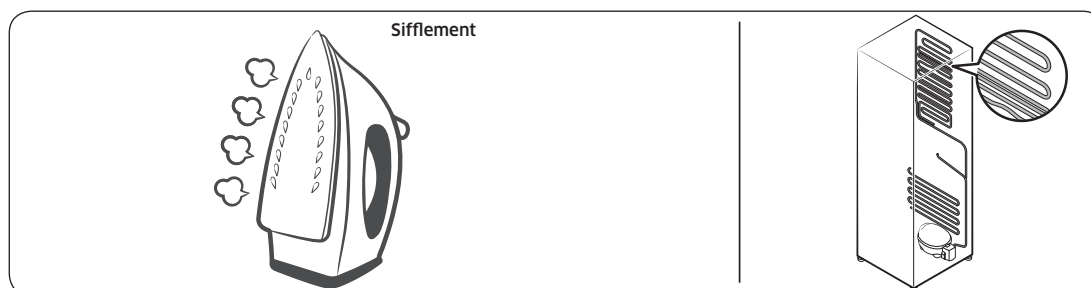


- Ces sons peuvent être émis lorsque le ventilateur est en fonction. Lorsque le réfrigérateur atteint la température réglée, le son du ventilateur s'arrête.

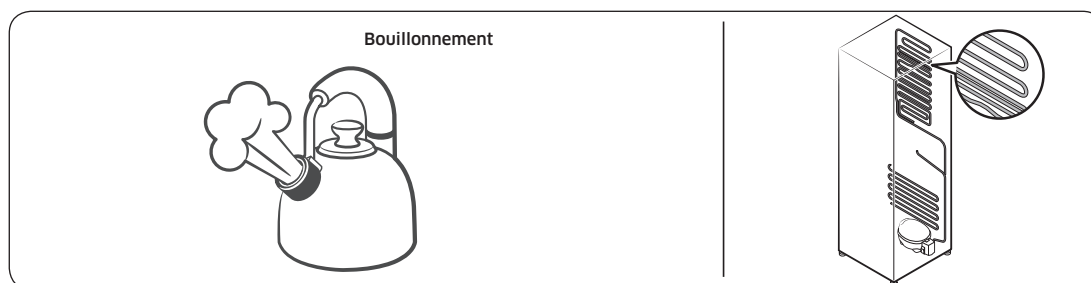


# Dépannage

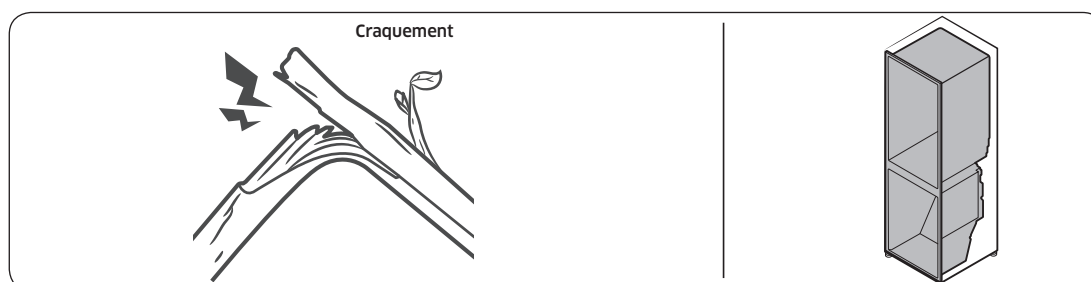
- Pendant un cycle de dégivrage, il est possible que de l'eau coule sur l'élément de dégivrage, créant des grésillements.



- Lorsque le réfrigérateur refroidit ou congèle, le frigorigène se déplace dans les tuyaux scellés, créant des sons de bouillonnement.



- Lorsque la température du réfrigérateur augmente ou diminue, les pièces en plastique prennent de l'expansion ou se contractent, créant des bruits de cognement. Ces bruits sont émis pendant le cycle de dégivrage ou lorsque des pièces électroniques sont en fonction.



- Pour les modèles avec machine à glaçons : Lorsque le robinet d'eau s'ouvre pour remplir la machine à glaçons, il est possible que des bourdonnements soient émis.
- Lorsque la pression s'égalise quand vous ouvrez et fermez la porte du réfrigérateur, il est possible que des bruissements soient émis.

## SmartThings

Symptôme	Action
L'application « SmartThings » est introuvable sur le marché des applications.	<ul style="list-style-type: none"><li>L'application SmartThings est conçue pour Android 6.0 (Marshmallow) ou une version supérieure, pour iOS 10.0 ou une version supérieure et pour iPhone 6 ou une version supérieure. De plus, elle est optimisée pour les smartphones Samsung (séries Galaxy S et Galaxy Note).</li></ul>
L'application SmartThings ne fonctionne pas.	<ul style="list-style-type: none"><li>L'application SmartThings est disponible pour les modèles applicables uniquement.</li><li>L'ancienne application Samsung Smart Refrigerator ne peut pas se connecter à des modèles pour Samsung Smart Home.</li></ul>
L'application SmartThings est installée mais n'est pas connectée à mon réfrigérateur.	<ul style="list-style-type: none"><li>Vous devez vous connecter à votre compte Samsung pour pouvoir utiliser l'application.</li><li>Assurez-vous que votre routeur fonctionne normalement.</li><li>Si vous n'avez pas connecté votre réfrigérateur à l'application SmartThings une fois cette dernière installée, vous devez établir la connexion à l'aide de la fonction d'enregistrement du périphérique sur l'application.</li></ul>
Connexion à l'application impossible.	<ul style="list-style-type: none"><li>Vous devez vous connecter à votre compte Samsung pour pouvoir utiliser l'application.</li><li>Si vous n'avez pas de compte Samsung, suivez les instructions de l'application affichées à l'écran pour en créer un.</li></ul>
Un message d'erreur apparaît lorsque j'essaie d'enregistrer mon réfrigérateur.	<ul style="list-style-type: none"><li>Easy Connection (Connexion facile) peut échouer en raison de la distance par rapport au point d'accès (PA) ou d'interférences électriques provenant de l'environnement. Attendez un moment puis réessayez.</li></ul>
L'application SmartThings est bien connectée à mon réfrigérateur mais ne fonctionne pas.	<ul style="list-style-type: none"><li>Quittez puis relancez l'application SmartThings ou déconnectez et reconnectez le routeur.</li><li>Débranchez le cordon d'alimentation du réfrigérateur, puis branchez-le à nouveau après 1 minute.</li></ul>

# Dépannage

## Smart Grid (modèles applicables uniquement)

Symptôme	Action
De quoi ai-je besoin pour utiliser les fonctions Energy Management (Gestion de l'énergie) et Smart Grid (Réponse à la demande) ?	<p>Pour utiliser les fonctions Smart Grid (Réponse à la demande) et Energy Management (Gestion de l'énergie) de votre réfrigérateur, les éléments suivants sont nécessaires :</p> <p>Appareils</p> <ul style="list-style-type: none"><li>• Un point d'accès sans fil (routeur)</li><li>• Un réfrigérateur Samsung prenant en charge la fonction Energy Management (Gestion de l'énergie)</li><li>• Un smartphone</li></ul> <p>Enregistrement</p> <ul style="list-style-type: none"><li>• Connectez votre réfrigérateur au réseau Wi-Fi de votre maison.</li><li>• Souscrivez au service EMS (système de gestion de l'énergie) auprès de votre fournisseur d'électricité. Celui-ci doit disposer d'un système de gestion de l'énergie (EMS) prenant en charge les profils SEP (Smart Energy profile).</li></ul> <p>Application</p> <ul style="list-style-type: none"><li>• Téléchargez l'application SmartThings sur Google Play Store, Apple App Store ou Samsung Galaxy Apps.</li><li>• Installez et lancez l'application SmartThings sur votre smartphone.</li></ul>
Pourquoi la fonction Energy Management ne fonctionne-t-elle pas correctement ?	<ul style="list-style-type: none"><li>• Assurez-vous que le routeur de votre maison fonctionne normalement avec un service et une connexion Internet appropriés.</li><li>• Assurez-vous que le réfrigérateur est connecté au point d'accès (routeur).</li></ul> <p>Points de contrôle</p> <ul style="list-style-type: none"><li>• Connectez votre smartphone au routeur (PA, point d'accès), puis vérifiez si vous pouvez naviguer sur Internet depuis le smartphone.</li></ul>
Pourquoi fonction de Capacité de dégivrage différé ne fonctionne-t-elle pas correctement ?	<ul style="list-style-type: none"><li>• Assurez-vous que le routeur de votre maison fonctionne normalement avec un service et une connexion Internet appropriés.</li></ul>

# Informations relatives à la garantie (CANADA)

---

## Si votre réfrigérateur doit être réparé

---

N'hésitez pas à appeler un centre de service autorisé Samsung proche en lui communiquant vos nom, adresse et numéro de téléphone lorsque votre appareil ne fonctionne pas correctement.

## Garantie limitée à l'acheteur initial

---

Cet appareil Samsung est garanti par Samsung Electronics Canada, Inc. (désigné ci-après par SECA) contre les défauts de fabrication matériels ou une malfaçon durant les périodes suivantes :

Main d'œuvre : 1 an (à domicile)

Pièces : 1 an

Compresseurs Inverter : 10 ans (pièce uniquement)

SECA garantit en outre que si cet appareil ne fonctionne pas correctement durant la période de garantie spécifiée et que le dysfonctionnement est dû à une malfaçon ou à un matériau défectueux, SECA réparera ou remplacera l'appareil à sa discrétion. Le service à domicile n'est pas offert partout. Communiquez avec nous pour savoir si le service à domicile est actuellement offert dans votre région en utilisant les coordonnées se trouvant au dos de votre garantie.

Toutes les réparations ou tous les remplacements de pièces sous garantie doivent être effectués par un centre de service autorisé SECA. (Pour localiser le centre de service SECA le plus proche, appelez le 1 800 SAMSUNG (726-7864) ou visitez notre site Web à l'adresse [www.samsung.com/ca](http://www.samsung.com/ca))

## Obligation du propriétaire initial

---

Le reçu de vente daté initial doit être conservé par le client et il s'agit de la seule preuve d'achat acceptable. Il doit être présenté au centre de service autorisé SECA au moment de la demande de service avant que les services de garantie ne soient rendus. Pour tous les modèles portatifs, le transport vers et depuis le centre de service autorisé relève de la responsabilité du client.



# Informations relatives à la garantie (CANADA)

---

## Exclusions de la garantie

---

Cette garantie ne couvre pas les dommages provoqués par un accident, un incendie, une inondation et/ou toutes autres catastrophes naturelles, une manipulation, une tension d'alimentation ou une installation incorrectes, des réparations incorrectes ou non-autorisées, une utilisation commerciale ou enfin des dommages survenus au cours de l'expédition. Les ajustements de la part du client qui sont expliqués dans ce guide d'utilisation ne sont pas couverts par les dispositions de la présente garantie. Cette garantie sera automatiquement annulée pour tout appareil reçu avec un numéro de série manquant ou modifié. Cette garantie est valide uniquement pour les produits achetés et utilisés au Canada.

### SAMSUNG SERVICE À LA CLIENTÈLE

Samsung Electronics Canada Inc.  
2050 Derry Road West,  
Mississauga, Ontario L5N 0B9  
Canada  
1-800-SAMSUNG (726-7864)  
[www.samsung.com/ca/support](http://www.samsung.com/ca/support) (English)  
[www.samsung.com/ca\\_fr/support](http://www.samsung.com/ca_fr/support) (French)

# Avis d'application de la réglementation

---

## Avis de la FCC

---

### MISE EN GARDE DE LA FCC :

Tout changement ou modification, non expressément approuvé par la partie responsable de la conformité, peut annuler l'autorisation de l'utilisateur à utiliser cet équipement.

Contient un module émetteur dont l'ID FCC est : A3LCWAM210S

Cet appareil est conforme aux exigences de la partie 15 du règlement de la FCC. Son utilisation est assujettie aux deux conditions suivantes :

- (1) Cet appareil ne doit pas causer de brouillages préjudiciables, et
- (2) Cet appareil doit absorber tout type d'interférence, y compris les interférences pouvant causer un fonctionnement non désiré.

Pour les produits disponibles sur les marchés des États-Unis et du Canada, seuls les canaux 1 à 11 peuvent être utilisés.

Vous ne pouvez pas sélectionner d'autres canaux.

### DÉCLARATION DE LA FCC :

Cet appareil a été testé et classé dans la catégorie des appareils numériques de classe B conformément avec la partie 15 du règlement de la FCC. Ces limites sont conçues pour fournir une protection raisonnable contre les interférences nuisibles dans une installation domestique.

Cet appareil génère, utilise et émet des fréquences radioélectriques et peut, en cas d'installation ou d'utilisation non conforme aux instructions, engendrer des interférences nuisibles au niveau des communications radio. Cependant, il se peut que des interférences se produisent dans une installation particulière. En cas d'interférences avec la réception radiophonique ou télévisuelle, qui peuvent être vérifiées en mettant l'équipement hors, puis sous tension, l'utilisateur peut tenter de résoudre le problème de l'une des façons suivantes :

- Réorienter ou repositionner l'antenne de réception
- Augmenter l'espacement entre l'équipement et le récepteur
- Brancher l'équipement à une prise se trouvant sur un circuit différent de celui auquel le récepteur est branché.
- Consulter le fournisseur ou un technicien en radio et télévision expérimenté pour obtenir de l'aide.

### DÉCLARATION DE LA FCC SUR L'EXPOSITION AUX IRRADIATIONS :

Cet équipement répond aux limites de la FCC sur l'exposition aux rayonnements établies pour un environnement non contrôlé.

Cet équipement doit être installé et utilisé à une distance minimale de 8 pouces (20 cm) entre le radiateur et votre corps. Cet appareil et ses antennes ne doivent pas être co-localisés ou fonctionner en conjonction avec toute autre antenne ou émetteur, sauf s'il/elle est conforme aux procédures relatives aux produits à émetteurs multiples de la FCC.

# Avis d'application de la réglementation

---

## Avis d'IC

---

Contient un module émetteur IC : 649E-CWAM210S

Le terme « IC » placé avant le numéro de certification pour les radiofréquences signifie seulement que les spécifications techniques d'Industry Canada ont été respectées. Son utilisation est assujettie aux deux conditions suivantes : (1) cet appareil ne doit pas provoquer d'interférence et (2) il doit absorber tout type d'interférence, y compris les interférences pouvant causer un fonctionnement non désiré de l'appareil.

Cet appareil numérique de classe B est conforme à l'ICES-003 (Canada).

Cet appareil numérique de la classe B est conforme à la norme NMB-003 du Canada.

Pour les produits disponibles sur les marchés des États-Unis et du Canada, seuls les canaux 1 à 11 peuvent être utilisés. Vous ne pouvez pas sélectionner d'autres canaux.

### **DÉCLARATION D'IC QUANT À L'EXPOSITION AUX RAYONNEMENTS :**

Cet équipement répond aux limites de l'IC RSS-102 sur l'exposition aux rayonnements établies pour un environnement non contrôlé. Cet équipement doit être installé et utilisé à une distance minimale de 8 pouces (20 cm) entre le radiateur et votre corps. Cet appareil et ses antennes ne doivent pas être co-localisés ou fonctionner en conjonction avec toute autre antenne ou émetteur, sauf s'il/elle est conforme aux procédures relatives aux produits à émetteurs multiples de la FCC.

CONSERVEZ CES INSTRUCTIONS

# Mémo

---

# Mémo

---

# Mémo

---

## Prendre contact avec SAMSUNG WORLD WIDE

Si vous avez des questions ou des commentaires sur les produits Samsung, veuillez prendre contact avec le centre d'assistance clientèle SAMSUNG.

Pays	Centre d'appels	Site Internet
U.S.A	1-800-SAMSUNG (726-7864) 1-844-SAM-PAYS (726-7297)	<a href="http://www.samsung.com/us/support">www.samsung.com/us/support</a>
CANADA	1-800-SAMSUNG (726-7864) 1-844-SAM-PAYS (726-7297)	<a href="http://www.samsung.com/ca/support">www.samsung.com/ca/support</a> (English) <a href="http://www.samsung.com/ca_fr/support">www.samsung.com/ca_fr/support</a> (French)



DA68-03832A-01