



Remote Blower (900 CFM) RB900 **USE WITH INCA PRO PLUS ONLY** Installation Instructions Use & Care Manual

READ AND SAVE THESE INSTRUCTIONS

The installer must leave these instructions with the homeowner. The homeowner must keep these instructions for future reference and for local electrical inspectors' use.



You can be killed or seriously injured if you don't follow instructions.

TO REDUCE THE RISK OF FIRE, ELECTRIC SHOCK, OR INJURY TO PERSONS, OBSERVE THE FOLLOWING:

Installation work and electrical wiring must be done by qualified person(s) in accordance with all applicable Codes and Standards, including Fire Rated Construction. Sufficient air is needed for proper combustion and exhausting of gases through the flue (chimney) of fuel burning equipment to prevent back drafting. Follow the heating equipment manufacturer's guideline and safety standards such as those published by the National Fire Protection Association (NFPA), and the American Society of Heating Refrigeration and Air Conditioning Engineers (ASHRAE), and the local code authorities. When cutting or drilling into wall or ceiling, do not damage electrical wiring and other hidden utilities. Ducted fans must always be vented to the outdoors.

Use this unit only in the manner intended by the manufacturer. If you have any questions, contact the manufacturer.

Before servicing or cleaning unit, switch power off at service panel and lock the service disconnecting means to prevent power from being switched on accidentally. When the service disconnecting means cannot be locked, securely fasten a prominent warning device, such as a tag, to the service panel.

WARNING - TO REDUCE THE RISK OF SHOCK: This fan must be installed with an isolating wall control/switch.

CAUTION: For General Ventilating Use Only. Do Not Use To Exhaust Hazardous or Explosive Materials and Vapors.

To reduce the risk of fire, use only metal ductwork.

This unit must be grounded.

This unit is suitable for use with solid-state speed controls.

For Residential use ONLY

Note: please refer to the Inca Pro Plus installation instructions for connecting the remote blower to the rangehood

CAUTION – To reduce risk of fire and to properly exhaust air, be sure to duct air outside – Do not vent exhaust air into spaces within walls or ceilings or into attics, crawl spaces, or garages”

Important

Observe all governing codes and ordinances. Proper installation is your responsibility. Make sure you have everything necessary for correct installation. It is the responsibility of the installer to comply with the clearances specified.

To avoid damage to motor bearings and impellers, keep drywall spray, construction dust, etc. away from the remote blower.

Before installing remote blower, read the installation instructions for the vent system that will be used in conjunction with this remote blower.

Care of your remote blower

Disconnect power supply and lock out service panel before cleaning or servicing. To clean, remove cover and vacuum blower and housing, being careful not to damage blower wheel. The motor is permanently lubricated. Do not oil or disassemble.

Electrical requirements

Important: Observe all governing codes and ordinances. It is the customer's responsibility:

- To contact a qualified electrical installer.
- To assure that the electrical installation is adequate and in conformance with:

National Electrical Code, ANSI/NFPA 70 — latest edition*, or CSA Standards C22.1-94, Canadian Electrical Code, Part 1 and C22.2 No.0-M91 - latest edition** and all local codes and ordinances.

If codes permit and a separate ground wire is used, it is recommended that a qualified electrician determine that the ground path is adequate. Do not ground to a gas pipe. Check with a qualified electrician if you are not sure remote blower is properly grounded. Do not have a fuse in the neutral or ground circuit.

A 120-volt, 60-Hz, AC-only supply wired for 15 amp service is required.

The blower motor must be connected with copper wire only.

The remote blower must be connected to the rangehood wiring as described in the rangehood instructions for connecting the remote blower motor wiring. Flexible armored or nonmetallic cable must be used. A U.L./CSA-listed strain relief must be provided at each end of the power supply cable. Wire sizes must conform to the requirements of the National Electrical Code ANSI/NFPA 70 — latest edition* or Canadian Electrical Code, C22.1 and C22.2 No. 113-M1984 (or latest edition),** and all local codes and ordinances. 14 gauge wire (minimum) is recommended.

Copies of standards listed may be obtained from:

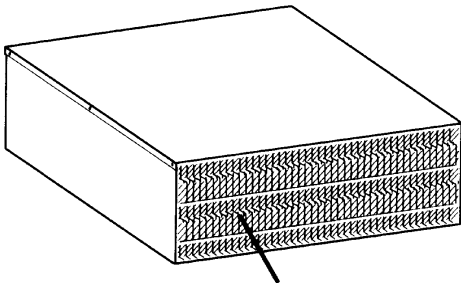
* National Fire Protection Association
One Batterymarch Park
Quincy, Massachusetts 02269

** CSA International
8501 East Pleasant Valley Road
Cleveland, Ohio 44131-5575

Venting requirements

Determine which ducting method is best for your application. Duct system can extend either through the wall or the roof. Locate the remote blower so that the length of the duct system and the number of elbows is kept to a minimum to provide efficient performance. Where possible, remote blower should be centered between wall studs or roof rafters. The size of the duct system should be uniform. **Do not install two elbows together.**

Use duct tape to seal all joints in the duct system. Use caulking to seal remote wall or floor opening around the cap. **Flexible duct is not recommended.** It creates back pressure/air turbulence and greatly reduces performance. Make sure there is proper clearance within the wall or floor for exhaust duct before making cutouts. Avoid pipes, wires, or other duct systems that may be running through the wall. Do not cut a joist or stud unless absolutely necessary. If a joist or stud must be cut, then a supporting frame must be constructed.



Install this side of the fan facing an unoccupied space.

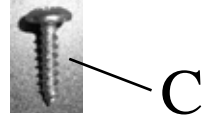
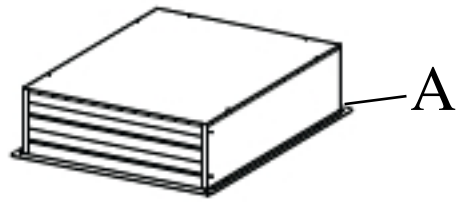
Maximum length of ductwork

55 feet for 10" round ductwork - count 90° elbows as 5 feet and 45° elbows as 3 feet.

Duct length is given as a general reference only. For a longer duct run, or smaller duct system, contact a qualified and trained duct installer. **Check with local codes for makeup air requirements, if any.** It is recommended that you use round duct instead of rectangular duct, especially if elbows are required. If rectangular duct is required, it should be transitioned to 10" (25.4 cm) round duct as soon as possible.

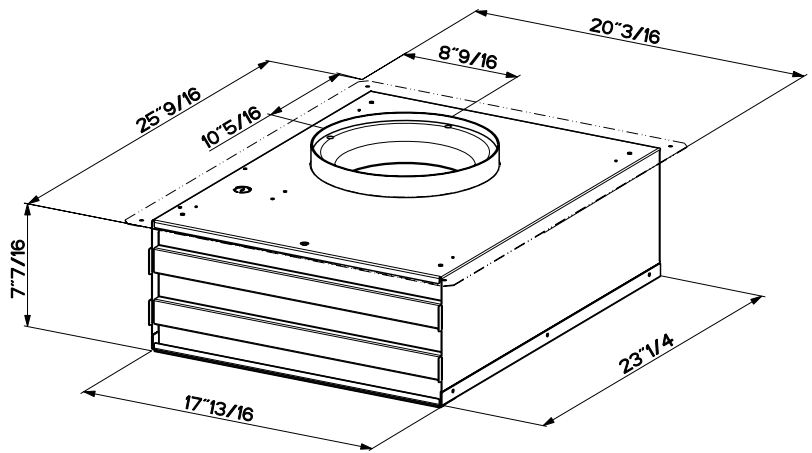
For best performance, use no more than three 90° elbows. If more than one elbow is used, make sure that there is a minimum of 24 inches of straight duct between any two elbows. Do not install two elbows together.

REMOTE BLOWER CONTENTS



- A) Remote Blower
- B) Ducting plate for Inca Pro Plus with wiring box and cables (See Inca Pro Plus instructions for more information)
- C) Installation Screws for Mounting Plate

Dimensional diagram



MAKE SURE THAT THE DISCHARGE END OF THE REMOTE BLOWER FACES AWAY FROM THE DIRECTION OF PREVAILING WINDS.



WARNING

You can be killed or seriously injured if you don't follow instructions.

Excessive Weight Hazard

Use two or more people to move and install remote blower.

Failure to do so can result in back or other injury.

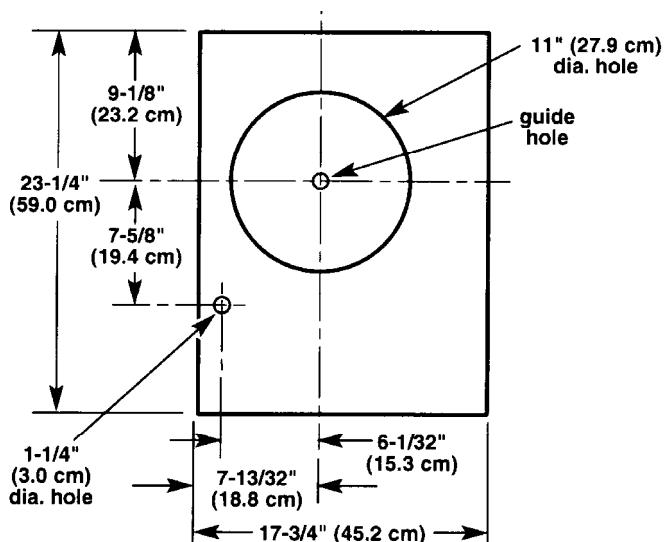
Begin the installation

1. Discard any cardboard packaging from the blower wheel.
2. Remove wiring box cover and screws.
3. Attach an appropriate U.L./CSA-listed strain relief in the knockout.
Note: For most installations, it is recommended that the strain relief be installed so that it can be tightened from inside the remote blower housing.
4. Reattach the wiring box cover loosely. It will be removed again later.

Wall installations

1. Choose a location on an outside wall where no wall studs, wires, pipes, etc. run through the opening area. A minimum distance of 24" (61 cm) from remote blower to ground may be required depending on local code. Make sure to leave room for anticipated snowfall in your region.
2. Drill the guide hole in the center of the 11" (27.9 cm) diameter opening area.
3. Mark a 27-1/2" x 34" (69.9 x 86.4 cm) rectangle on wall as indicated in **FIGURE 1**.
4. Cut a rectangular hole in the siding only. Do not cut sheathing. Nail down all siding ends.
5. Mark an 11" (27.9 cm) diameter circle around guide hole as indicated in **FIGURE 1**. Mark center of the 1-1/4" (or 3.0 cm) diameter hole for electrical wiring as indicated in **FIGURE 1**.
6. Cut 11" (27.9 cm) diameter hole in sheathing. Drill the 1-1/4" (or 3.0 cm) diameter electrical wiring hole.
7. Run a large bead of caulk on the back side of the housing along the outer edge.
8. Center the remote blower ring in the 11" (27.9 cm) diameter hole, making sure that the 1-1/4" (or 3.0 cm) diameter electrical wiring hole lines up with the hole in the wiring box.
9. Attach the remote blower to wall using screws appropriate for your installation. All four holes in the back panel must be filled to prevent moisture that may get inside the remote blower housing from leaking into the home.
10. Seal all around the mounting screw heads with caulk.
11. Go to "**Make the duct & electrical connections**", Page 4.

Figure 1 - Wall installations



Roof installations

FOR FLAT ROOF INSTALLATIONS SEE NEXT PAGE

1. Choose location on rear slope of roof that minimizes vent run. Avoid obstacles such as TV leads, electric lines, etc. If remote blower top is level with roof peak, it will not be seen from street. Remember this location as you work from inside the attic.
2. Mark a point half-way between the rafters and drill a guide hole at this point.
3. From the outside, using the guide hole as a starting point, mark the rectangular cut-out as indicated in **FIGURE 2**. Remove ONLY the shingles in THIS AREA.
4. Mark an 11" (27.9 cm) diameter circle around guide hole as indicated in **FIGURE 2**. Mark center of the 1-1/4" (or 3.0 cm) diameter hole for the electrical wiring as indicated in **FIGURE 2**.
5. Cut out the roof boards along the 11" (27.9 cm) diameter circle. Drill the 1-1/4" (or 3.0 cm) diameter electrical wiring hole.
6. Remove roofing nails from the upper two-thirds of the shingles to allow the back flashing sheet on the remote blower housing to fit under them.
7. Center the remote blower ring in the 11" (27.9 cm) diameter hole, making sure that the 1-1/4" (or 3.0 cm) diameter electrical wiring hole lines up with the hole in the wiring box.
8. Attach the remote blower to roof or frame using screws appropriate for your installation. All four holes in the back panel must be filled to prevent moisture that may get inside the remote blower housing from leaking into the home.
9. Seal all the shingles around the remote blower housing, flashing sheet, and mounting screw heads or frame with roofing cement. Top and side flanges of the back plate may be covered with trim. It is recommended that electrical connection be made and checked first. Do not block the vent grill opening at the bottom of the trim. Doing so will decrease blower performance.

Figure 2 - Roof installations

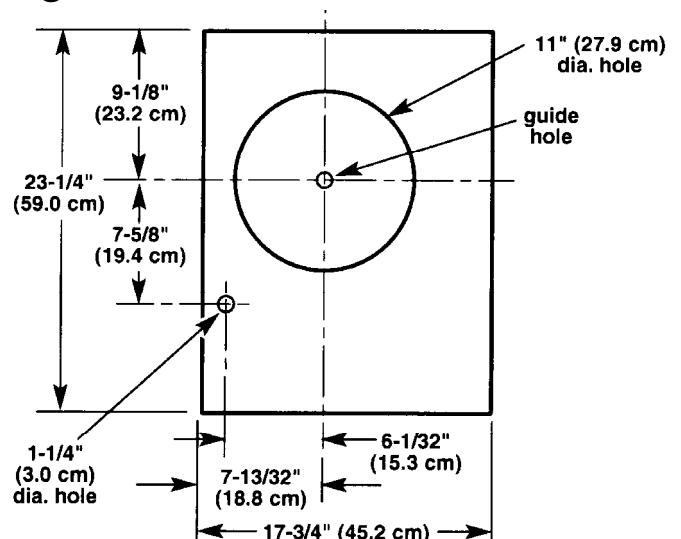
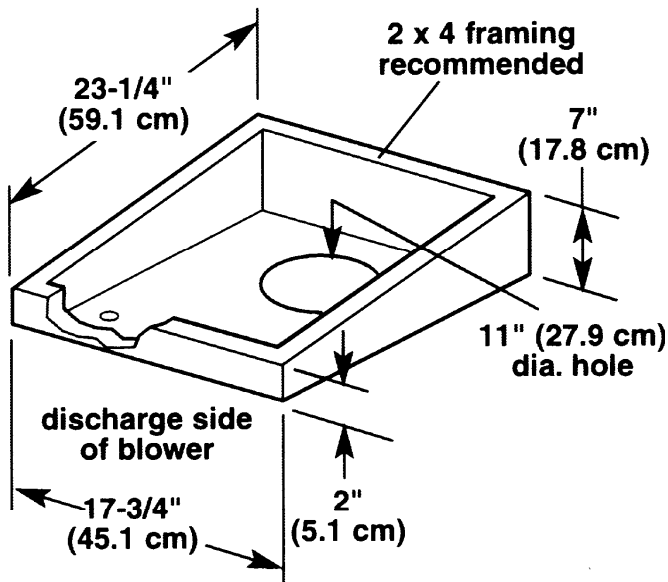
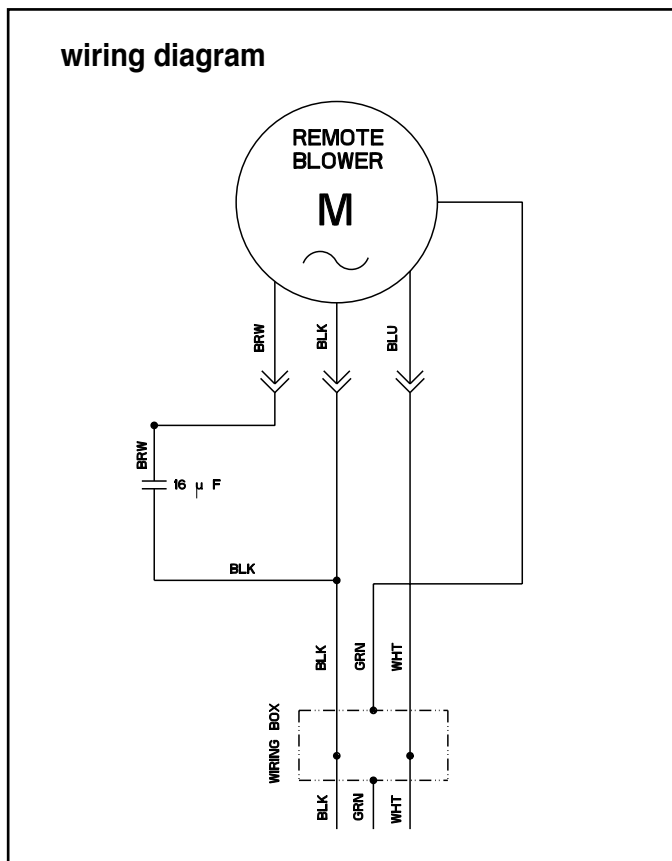


Figure 3 - Flat roof installations



Flat roof installations

1. Locate the 11" (27.9 cm) dia. hole between rafters.
2. Build a sloping base that will mount the remote blower at a minimum pitch of 2-1/2" (6.4 cm).
3. Weatherproof the base as required.
4. Locate the base so that the remote blower's vent aligns with the 11" (27.9 cm) dia. hole and the blower sits evenly on the base with no gaps. Note: Make sure that the discharge end of the remote blower faces away from the direction of prevailing winds.
5. Use dimensions from either **FIGURE 1** or **2** to locate the 1-1/4" (3.0 cm) dia. wiring hole. **CONTINUE WITH POINT 6 UNDER ROOF INSTALLATIONS ON PAGE 3.**



WARNING

You can be killed or seriously injured if you don't follow instructions.

TO REDUCE THE RISK OF FIRE, ELECTRIC SHOCK, OR INJURY TO PERSONS, OBSERVE THE FOLLOWING:

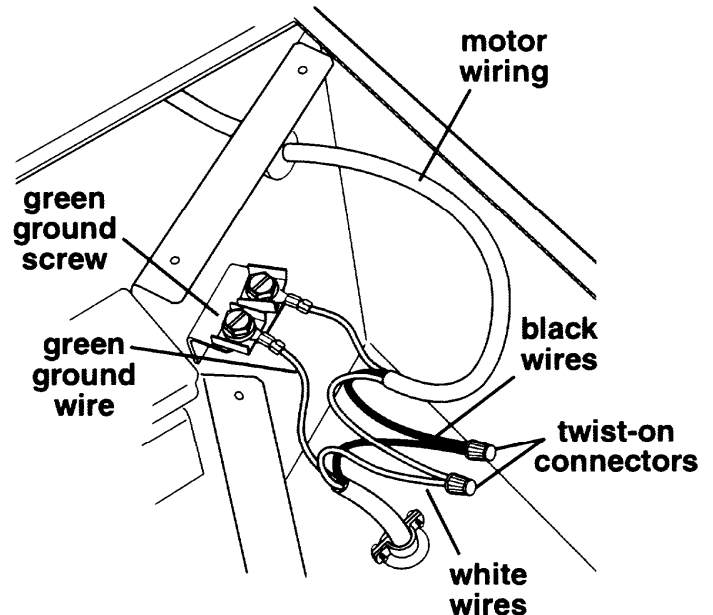
- Disconnect power before making electrical connection.
- Connect the ground wire to green ground screw in wiring box.

Failure to do so can result in death or electrical shock.

Make the duct & electrical connections

1. Remove the cover from the remote blower. Then remove the wiring box cover.
2. Pull electrical wiring through the hole in the blower base and secure it according to local codes.
3. Make the electrical connections. Connect the white and black wires of the power supply cable wire to the white and black wires in the wiring box with twist-on connector. Connect the green power supply ground wire to the green ground screw.

Figure 4 - Electrical connections



4. Replace the wiring box cover and screws taking care not to pinch the wiring under the wiring box cover.
5. Turn on power (See Installation Instructions that came with your vent hood system). Check operation of blower and make sure damper is opening freely.
6. Reinstall remote blower housing.

Warranty & Service

All Faber products are warranted against any defect in materials or workmanship for the original purchaser for a period of 1 year from the date of original purchase. This warranty covers labor and replacement parts. The warranty does not cover consumable parts such as filters and light bulbs. This warranty does not apply if this product has been subjected to faulty installation, misuse, or neglect. This warranty excludes any consequential expense or damage resulting from any use or malfunction of the product. All implied warranties are limited to the duration of this warranty.

To obtain warranty service, contact the dealer from whom you purchased the rangehood, or the local Faber distributor. If you cannot identify a local Faber distributor, contact us at (508) 358-5353 for the name of a distributor in your area.



RB900

Instructions d'installation et Guide d'utilisation et d'entretien pour Ventilateur d'extraction

AVERTISSEMENT

Risque possible de décès ou de blessure grave si vous ne suivez pas les instructions.

AVERTISSEMENT – POUR MINIMISER LES RISQUES D'INCENDIE, CHOC ÉLECTRIQUE OU DOMMAGES CORPORELS, OBSERVER LES PRESCRIPTIONS SUIVANTES :

Le travail d'installation et de câblage électrique doit être exécuté par des personnes compétentes et en conformité avec les prescriptions des normes et codes applicables, ceci incluant les normes de résistance au feu des éléments de construction. La disponibilité d'un volume d'air approprié pour l'alimentation de l'équipement à combustion et l'évacuation des gaz de combustion par la cheminée pour qu'il n'ait pas de reflux est nécessaire. Respecter les directives du fabricant de l'équipement de chauffage et les prescriptions des normes de sécurité -comme celles publiées par la National Fire Protection Association (NFPA) et l'American Society of Heating, Refrigeration and Air Conditioning Engineers (ASHRAE) - et les prescriptions des autorités réglementaires locales. Lors d'opérations de découpage et de perçage dans un mur ou plafond, veiller à ne pas endommager les câblages électriques ou canalisations qui peuvent s'y trouver. Le conduit d'évacuation associé à un ventilateur doit toujours décharger l'air à l'extérieur.

Suivez les recommandations du fabricant et entre en communication avec lui pour toute information.

Fermez le courant avant tout entretien et veillez à ce qu'il reste fermé. Si on ne peut pas verrouiller les panneaux du service électrique, affichez un avis de danger sur la porte.

AVERTISSEMENT – POUR MINIMISER LE RISQUE DE CHOC ÉLECTRIQUE: Ce ventilateur doit être installé avec un mur d'isolement interrupteur de commande.

AVIS: Pour L'évacuation Générale - Veillez à Ne Pas Evacuer Des Matériaux Ou Vapeurs Explosifs.

Pour réduire le risque d'incendie, utiliser uniquement des conduits métalliques.

Cet appareil doit être relié à la terre.

Ce ventilateur peut être utilisé avec les commandes de vitesse à circuits intégrés.

Uniquement pour usage menager. Le système d'évacuation DOIT sortir à l'extérieur. N'ÉVACUEZ PAS le conduit soit dans une mansarde soit dans un espace enfermé.

UTILISATION AVEC L'INCA PRO PLUS SEULEMENT

IMPORTANT : LIRE ET CONSERVER CES INSTRUCTIONS.

Installateur: Remettre les instructions d'installation au propriétaire de l'appareil. Propriétaire: Conserver les instructions d'installation pour consultation ultérieure et à l'intention de l'inspecteur local de installations électriques.

Important

Observer toutes les dispositions des codes et règlements en vigueur. C'est au propriétaire de l'appareil qu'incombe la responsabilité d'une installation correcte. Veiller à disposer de tout le matériel nécessaire pour la réalisation d'une installation correcte. C'est à l'installateur qu'incombe la responsabilité de respecter les dégroupements de séparation spécifiés.

Pour éviter d'endommager les paliers du moteur et l'hélice ou la turbine, veiller à protéger le ventilateur d'extraction contre les produits.

Avant d'installer le ventilateur d'extraction, lisez les instructions d'installation pour la hotte qui sera employé en même temps que ce ventilateur d'extraction.

Entretien du ventilateur d'extraction

Avant tout travail de nettoyage ou d'entretien, interrompre l'alimentation électrique et verrouiller le disjoncteur. Pour le nettoyage, enlever le couvercle et nettoyer le ventilateur et la caisse à aspirateur; veiller à ne pas endommager la turbine. Le moteur est monté sur des paliers lubrifiés à vie. Ne pas lubrifier ni démonter.

Alimentation électrique

Important : Respecter les prescriptions de tous les codes et règlements en vigueur. C'est au client qu'incombe la responsabilité de :

- Contacter un électricien qualifié pour l'installation.
- Veiller à ce que l'installation électrique soit réalisée d'une manière adéquate et en conformité avec les prescriptions de la dernière édition du Code national de l'électricité

ANSI/NFPA 70*, ou des normes CSA C22.1.94 / Code canadien de l'électricité (partie 1) et C22.2 N°0-M91 **, et avec les prescriptions de tous les codes et règlements locaux en vigueur.

Si un conducteur distinct de liaison à la terre est utilisé lorsque le code le permet, on recommande qu'un électricien qualifié vérifie que la liaison à la terre est adéquate. Ne pas utiliser une tuyauterie de gaz pour la liaison à la terre. En cas d'incertitude quant à la qualité de la liaison à la terre de la hotte, consulter un électricien qualifié. Ne pas installer un fusible en série avec le conducteur neutre ou le conducteur de liaison à la terre.

L'appareil doit être alimenté par un circuit 120 volts, 60 Hz, CA seulement, 15 A, avec un fusible.

Le ventilateur d'extraction doit être raccordé au réseau électrique uniquement avec des conducteurs de cuivre.

On doit raccorder le moteur du ventilateur au câblage du système d'aspiration ou par le bas ou la hotte conformément à la description présentée dans les instructions qui accompagnent le système d'aspiration par le bas ou la hotte. Utiliser du câble flexible blindé ou à gaine non métallique. Un serre-câble (homologation UL/CSA) doit être installé à chaque extrémité du câble d'alimentation. La taille des conducteurs doit satisfaire les prescriptions de la plus récente édition du Code national de l'électricité ANSI/NFPA 70*, ou des normes CSA C22.1.94 / Code canadien de l'électricité (C22.1) et C22.2 N°0-113-MI984 (ou la plus récente édition)***, et les prescriptions de tous les codes et règlements locaux en vigueur. On recommande l'emploi de conducteurs de calibre 14 ou plus gros.

On peut obtenir aux adresses suivantes des exemplaires des normes mentionnées :

*National Fire Protection Association
Batterymarch Park
Quincy, Massachusetts 02269

**CSA International
8501 East Pleasant Valley Rd.
Cleveland, Ohio 44131-5575

Circuit d'évacuation de l'air

Déterminer la configuration d'évacuation la mieux adaptée à l'application. Le circuit d'évacuation doit traverser le toit ou un mur. Choisir l'emplacement d'installation du ventilateur extérieur de manière à minimiser la longueur du circuit d'évacuation et le nombre de coudes, pour optimiser la performance. Si c'est possible, centrer le ventilateur entre des poteaux du colombage ou des solives du toit. La taille du circuit d'évacuation devra être uniforme. **Ne pas installer deux coudes adjacents.**

Au niveau de chaque jointure du système, assurer l'étanchéité avec du ruban adhésif pour conduits. Au point de passage du conduit d'évacuation à travers le mur ou un plancher, assurer l'étanchéité avec un produit de calfeutrage. **On déconseille l'emploi de conduit d'évacuation flexible, susceptible de générer une rétropression et des turbulences, ce qui dégraderait considérablement la performance.** Avant de découper les ouvertures de passage dans le mur ou le plancher, vérifier que les distances de séparation adéquates seront respectées. Veiller à ne pas endommager les tuyauteries et câblages ou autres conduits susceptibles de se trouver dans les cavités murales. Ne couper un poteau ou une solive que si c'est absolument nécessaire; dans un tel cas, il faudra construire une structure de support remplaçant l'élément coupé.

L'emballage du ventilateur extérieur contient un raccord de matière plastique noire et une plaque de raccordement.

- On fixe le raccord de matière plastique noire sur le ventilateur extérieur avec quatre vis (fournies). Le conduit d'évacuation rond de 25,4 cm (10 po) est ensuite connecté sur ce raccord.
- La plaque de raccordement devra être fixée sur la chambre de raccordement du système d'aspiration vers le bas pour qu'il soit possible d'y raccorder le conduit rond de 25,4 cm (10 po).

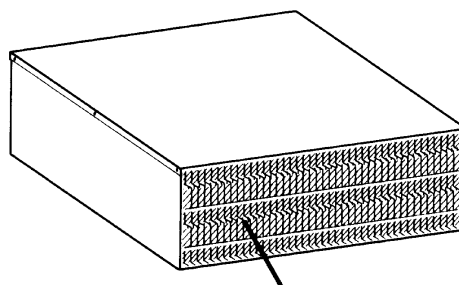
Veiller à ce qu'il y ait un espace disponible suffisant pour tout raccord de transition qu'il serait nécessaire d'installer entre le ventilateur extérieur et le système de raccordement. Pour optimiser la performance, placer tout raccord de transition nécessaire aussi près que possible de la hotte ou du système d'aspiration par le bas utilisé(e) en conjonction avec ce ventilateur. Ce ventilateur extérieur devra être alimenté par un câble électrique (homologation UL/CSA) indépendant, installé en même temps que le circuit d'évacuation.

Longueur maximale du circuit d'évacuation

55 pi pour Dia. 10 po conduit d'évacuation circulaire
coude 90° = 5 pi et coude 45° = 3 pi

La longueur du circuit d'évacuation n'est citée que comme référence générale. Pour un circuit de plus grande longueur ou constitué de conduits de plus petit diamètre, contacter un installateur qualifié. **Le cas échéant, chercher dans le code local les prescriptions concernant le renouvellement de l'air.** On recommande l'emploi d'un conduit d'évacuation circulaire plutôt que rectangulaire, particulièrement si l'emploi de raccords à 90° est nécessaire. Si l'emploi d'une section de conduit rectangulaire est nécessaire, minimiser sa longueur et raccorder celui-ci à du conduit circulaire de diamètre 25,4 cm (10 po).

Pour optimiser la performance, ne pas utiliser plus de trois coudes à 90°. S'il est nécessaire d'installer plusieurs coudes, ceux-ci devront être séparés par une section rectiligne d'au moins 61 cm (24 po). Ne pas raccorder deux coudes ensemble.



Installez ce côté du ventilateur faisant face à un espace inoccupé.

⚠ AVERTISSEMENT

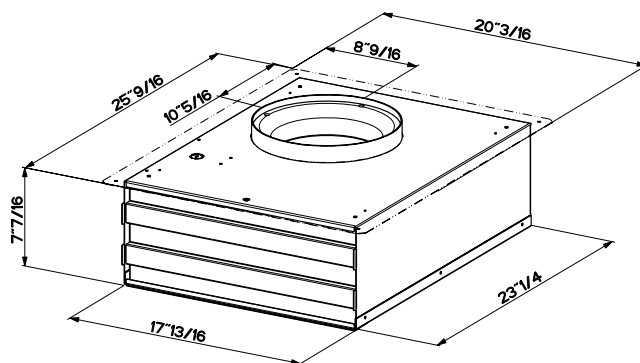
Risque possible de décès ou de blessure grave si vous ne suivez pas le instructions.

Poids excessif

Deux personnes ou plus doivent intervenir pour déplacer et installer la hotte.

Le non-respect de cette instruction peut causer une blessure au dos ou d'autres blessures.

Dimensions de ventilateur



VEILLER À CE QUE LE CÔTÉ DÉCHARGE DU VENTILATEUR NE FASSE PAS FACE À LA DIRECTION DES VENTS DOMINANTS.

Commencez l'installation

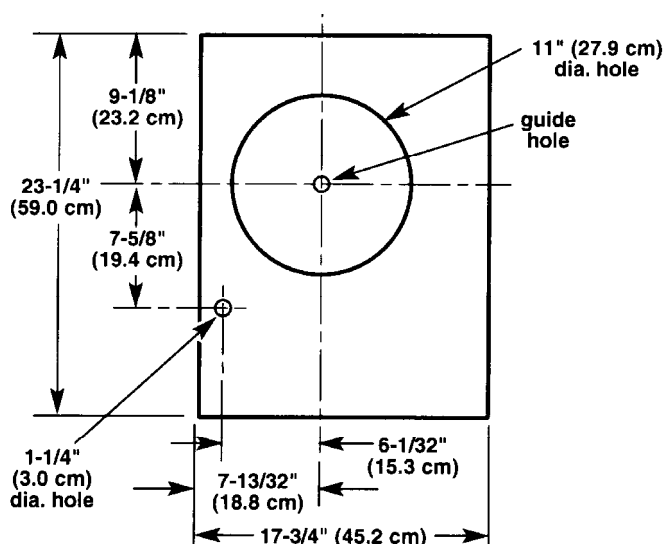
1. Enlever tout débris d'emballage qui pourrait rester dans le ventilateur.
2. Ôter les vis et le couvercle de la boîte de raccordement électrique.
3. Installer un serre-câble (homologation UL/CSA) dans le trou de passage à l'arrière de la boîte de raccordement.
4. Rattachez le couvercle de la boîte de raccordement électrique lâchement. Elle sera enlevée encore plus tard.

Observer les instructions appropriées correspondant au type d'installation.

Sortie murale

1. Choisir un emplacement sur un mur extérieur où il n'y aura pas d'interférence entre le conduit d'évacuation et les poteaux du colombage, les câblages, les tuyauteries, etc. Le code local peut imposer une distance d'au moins 61 cm (24 po) entre le sol et le ventilateur extérieur; tenir compte des accumulations de neige potentielles, selon la région.
2. Percer le trou de guidage/centrage au centre de l'ouverture de dia. 27,9 cm (11 po) à réaliser.
3. Tracer sur le mur un rectangle de 69,9 x 86,4 cm (27 1/2 x 34 po) – voir **FIGURE 1**.
4. Découper une ouverture rectangulaire dans le parement seulement. Ne pas couper les planches de doublure. Immobiliser les extrémités des planches de parement par clouage.
5. Tracer un cercle de diamètre 27,9 cm (11 po) centré sur le trou de guidage – voir **FIGURE 1**. Marquer la position du centre d'un trou de 3 cm (1 1/4 po) pour le passage du câble électrique, voir **FIGURE 1**.
6. Découper l'ouverture de dia. 27,9 cm (11 po) dans les planches de doublure. Percer le trou de dia. 3 cm (1 1/4 po) pour le passage du câble électrique.
7. Appliquer une grosse coulée de calfeutrante sur la face arrière de la caisse, le long du bord externe.
8. Centrer la collerette du ventilateur extérieur sur l'ouverture de dia. 27,9 cm (11 po); veiller à ce que le trou de 3 cm (1 1/4 po) pour le passage du câble électrique soit aligné avec le trou de passage dans la boîte de raccordement du câblage.
9. Fixer le ventilateur extérieur sur le mur avec des vis de taille appropriée. Obturer les quatre trous du panneau arrière pour éviter l'introduction d'humidité dans la résidence, à travers la caisse du ventilateur.
10. Calfeutrer autour de la tête de chaque vis de fixation.
11. Passer à l'étape "**Raccordement du câblage électrique et du circuit d'évacuation**", page 8.

Figure 1 - Sortie murale



Sortie à travers le toit

POUR INSTALLATIONS DU VENTILATEUR EXTÉRIEUR SUR UN TOIT PLAT PASSER À L'ÉTAPE PAGE 8

1. Choisir un endroit sur le versant arrière du toit qui minimisera la longueur du conduit d'évacuation. Éviter tout obstacle comme câble de télévision, conducteur électrique, etc. Si le sommet du ventilateur extérieur est au même niveau que le faite du toit, il ne sera pas visible depuis la rue; tenir compte de ceci lors des opérations effectuées dans le grenier.
2. Marquer un point centré entre les solives pour le perçage du trou de guidage.
3. Depuis l'extérieur, à partir de la position du trou de guidage, tracer les limites de l'ouverture rectangulaire présentées à la **FIGURE 2**. **DANS CETTE ZONE**, enlever SEULEMENT les bardeaux du toit.
4. Tracer un cercle de diamètre 27,9 cm (11 po) centré sur le trou de guidage – voir **FIGURE 2**. Marquer la position du centre d'un trou de 3 cm (1 1/4 po) pour le passage du câble électrique, voir **FIGURE 2**.
5. Découper l'ouverture circulaire de dia. 27,9 cm (11 po) dans les planches du toit. Percer le trou de dia. 3 cm (1 1/4 po) pour le passage du câble électrique.
6. Enlever les clous de toiture dans la partie supérieure de la zone (2/3) pour pouvoir insérer sous les bardeau le solin de la caisse du ventilateur.
7. Centrer la collerette du ventilateur extérieur sur l'ouverture de dia. 27,9 cm (11 po); veiller à ce que le trou de 3 cm (1 1/4 po) pour le passage du câble électrique soit aligné avec le trou de passage dans la boîte de raccordement du câblage.
8. Fixer le ventilateur extérieur sur le toit ou sur le cadre de support, avec des vis de taille appropriée. Obturer les quatre trous du panneau arrière pour éviter l'introduction d'humidité dans la résidence, à travers la caisse du ventilateur.
9. Utiliser de l'asphalte à toiture pour assurer l'étanchéité entre les bardeaux et le ventilateur tout autour de la caisse du ventilateur, au niveau du solin et sur les têtes de vis au niveau de la structure de support.
10. Les sections supérieure et latérales du solin peuvent être recouvertes d'une garniture. On recommande de réaliser d'abord et contrôler le raccordement électrique. Ne pas obturer l'ouverture de la grille sous la garniture; ceci dégraderait la performance du ventilateur.

Figure 2 - Sortie à travers le toit

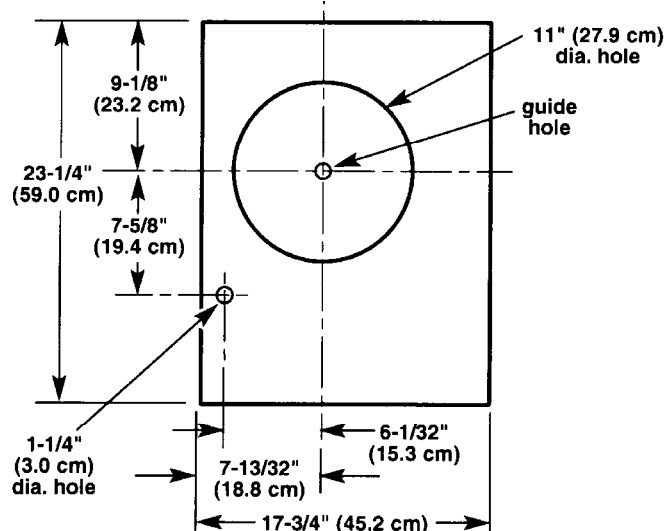
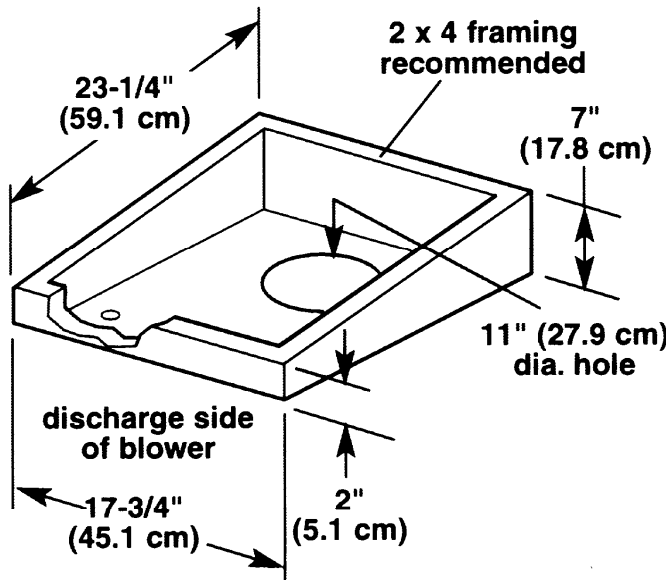


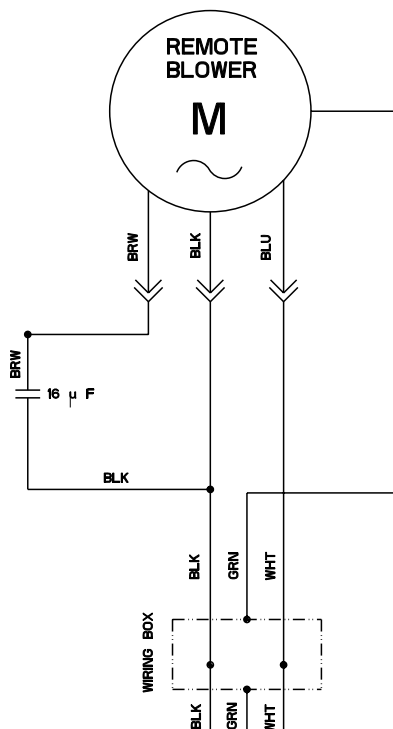
Figure 3 - sur un toit plat



Pour l'installation du ventilateur extérieur sur un toit plat :

1. Positionner l'ouverture de dia. 27,9 cm (11 po) entre les solives.
2. Réaliser une base inclinée permettant l'installation du ventilateur extérieur avec une inclinaison d'au moins 6,4 cm (2 1/2 po) par pied.
3. Réaliser la finition appropriée pour la protection contre les intempéries.
4. Positionner la base de telle manière que la décharge du ventilateur soit alignée avec le trou de dia. 27,9 cm (11 po), et pour que le ventilateur puisse reposer d'aplomb sur la base sans qu'il y ait d'espacement. Note : Veiller à ce que le côté décharge du ventilateur ne fasse pas face à la direction des vents dominants.
5. Respecter les dimensions mentionnées à la **FIGURE 1 ou 2** à la page 3 pour positionner le trou de 3 cm (1 1/4 po) pour le passage du câblage.

diagramme de câblage



AVERTISSEMENT

Risque possible de décès ou de blessure grave si vous ne suivez pas le instructions.

AVERTISSEMENT – POUR MINIMISER LES RISQUES D'INCENDIE, CHOC ÉLECTRIQUE OU DOMMAGES CORPORELS, OBSERVER LES PRESCRIPTIONS SUIVANTES :

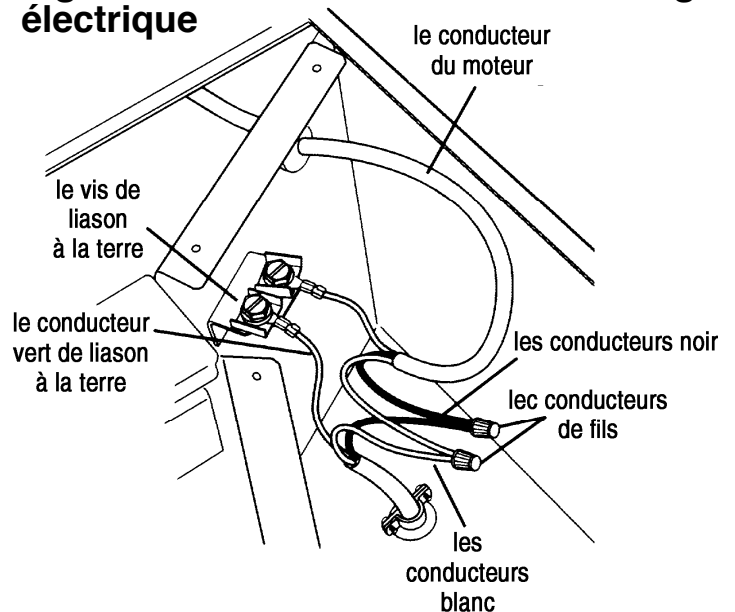
- Interrompre l'alimentation électrique avant d'effectuer des raccordements.
- Connecter le conducteur de liaison à la terre avec la vis verte dans la boîte de connexion.

Le non-respect de ces instructions peut provoquer un choc électrique ou un accident mortel.

Raccordement du câblage électrique et du circuit d'évacuation

1. Enlever le couvercle du ventilateur extérieur. Enlever ensuite le couvercle de la boîte de raccordement.
2. Introduire le conducteur électrique à travers le trou dans la base du ventilateur; immobiliser les conducteurs conformément aux prescriptions du code local.
3. Réaliser les raccordements électriques. Dans la boîte de raccordement, connecter ensemble les conducteurs noirs et les conducteurs blancs, avec des connecteurs de fils. Connecter le conducteur vert de liaison à la terre avec la vis de liaison à la terre.

Figure 4 - Raccordement du câblage électrique



4. Réinstaller les vis et le couvercle de la boîte de raccordement; veiller à ne coincer aucun conducteur sous le couvercle.
5. Mettre l'appareil sous tension (voir le Guide d'utilisation et d'entretien fourni avec l'appareil). Contrôler le bon fonctionnement du ventilateur et vérifier que le volet de réglage peut manoeuvrer librement.
6. Réinstaller la caisse du ventilateur extérieur.

Garantie et Service

Faber garantit à l'utilisateur-acheteur d'origine que les produits Faber vendus neufs par nous sont sans vice de matériel et de main-d'oeuvre d'origine pour une période d'un an à partir de la date d'achat. La garantie couvre la main-d'oeuvre et les pièces de remplacement. Par contre, elle ne couvre pas les pièces reliées à l'usure normale de l'appareil (exemple: les filtres et les ampoules). La garantie ne s'applique pas si le produit a été mal installé, utilisé d'une manière inadéquate ou négligé. Cette garantie exclue toutes les dépenses consécutives dues à des dommages résultant d'un mauvais fonctionnement du produit. La présente garantie remplace toutes autres garanties et déclarations expresses.

Afin d'obtenir un service sous garantie, communiquer avec le marchand où la hotte a été achetée ou le distributeur Faber de la région. Si l'on ne peut trouver de distributeur Faber, communiquer avec nous au (508) 358-5353 afin d'obtenir le nom d'un distributeur dans la région.