

# PTW605BSR/BPR

GE Profile™ 4.9 cu. ft. Capacity Washer with Smarter Wash Technology and FlexDispense™

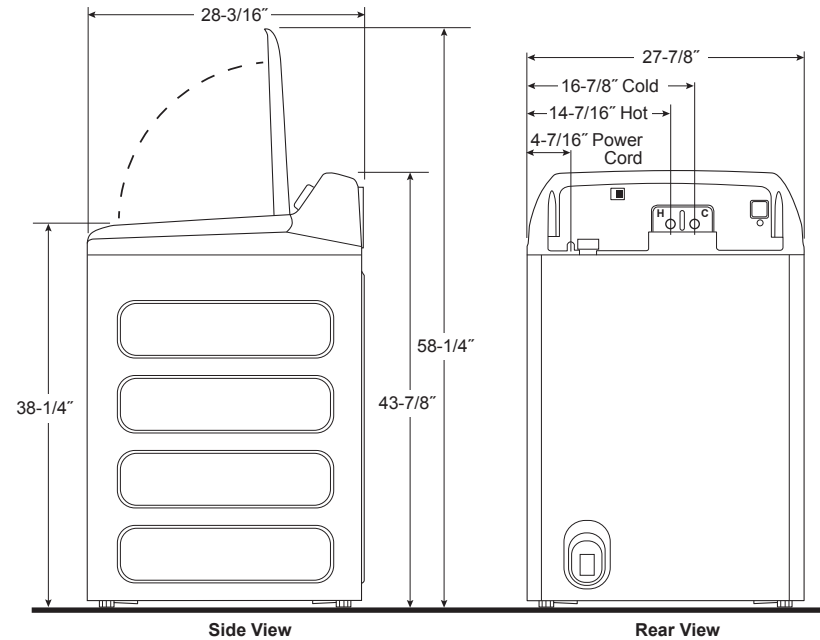
## DIMENSIONS AND INSTALLATION INFORMATION (IN INCHES)

**CIRCUIT REQUIREMENTS:** An individual, properly-grounded branch circuit, with a three-prong grounding-type receptacle, protected by a 15 or 20 amp circuit breaker or a time-delay fuse, is required.

**ELECTRICAL RATING:** 120V, 60Hz, 10A

**NOTE:** Washer wall outlet must be located within 36" of service code entry. Wall outlet must not be located behind dryer.

**INSTALLATION INFORMATION:** Before installing, consult installation instructions packed with product for current dimensional data.



For answers to your Monogram, GE Cafe™, GE Profile™ or GE Appliances product questions, visit our website at [geappliances.com](http://geappliances.com) or call GE Answer Center® Service, 800.626.2000.



Specification Created 7/21

# PTW605BSR/BPR

*GE Profile™ 4.9 cu. ft. Capacity Washer with Smarter Wash Technology and FlexDispense™*

## FEATURES AND BENEFITS

**Smarter Wash Technology** – Adaptive Smart Technology enables optimization of cleaning power and fabric care within each cycle

**Microban® Antimicrobial Technology** – Antimicrobial protection is built into key washer components to help prevent odor-causing bacteria in areas like the tub, dispenser drawer and drain hose

**Smart FlexDispense®** – Dedicated dispensers for detergent, detergent packs like Tide PODS™, fabric softener, and other common additives delivering faster activation and optimal cleaning performance

**Tangle Control** – Intelligent technology adapts the wash action to minimize tangled loads

**10-year Limited Warranty** – Enjoy peace of mind knowing your washer is backed by a 10-year limited warranty

**dB™** – The patented, time-saving technology senses and rebalances uneven loads during the spin cycle, providing a quieter wash

**Smart Features powered by SmartHQ™** – Ensure your washer always has the latest features, including extra cycles for active wear and casuals, customized stain removal technology, and more, all enabled by SmartHQ™

**Built-In WiFi powered by SmartHQ™** – Easily start, stop, and monitor your laundry from anywhere, and receive real-time notifications and updates with your smartphone, tablet, or voice assistant

**Sanitize with Oxi** – Remove 99% of bacteria in your laundry thanks to a dedicated cycle that uses an Oxi additive to boost your detergent's cleaning power

**Easier Access Capacity** – Enjoy large capacity while being able to easily reach the bottom of the washer

**Quick Wash** – Enjoy great wash performance in under 30 minutes

**Deep Fill** – Enjoy total control and customization of your water levels with just the touch of a button to add just a little extra water or fill the tub

**ENERGY STAR® qualified** – Meets or exceeds federal guidelines for energy efficiency for year-round energy and money savings

Model PTW605BSRWS – White with silver backslash

Model PTW605BPRDG – Diamond Gray

