

NA30R5310F

SAMSUNG

30" Gas Cooktop



Signature Features

Powerful Burners

- Powerful burners have the flexibility to accommodate a number of dishes at once.

Front Controls

- Front Controls are easy to reach.

Continuous Cast Iron Grates

- Continuous Cast Iron Grates provide a sleek and smooth design.

Available Colors



Stainless Steel (shown)



Fingerprint Resistant
Black Stainless Steel



Front Controls



Continuous Cast Iron Grates

Features

- Powerful Cooktop
 - Right Front: 17K BTU (Power Burner)
 - Left Front: 10K BTU
 - Right Rear: 5K BTU (Simmer)
 - Left Rear: 13K BTU
- Cast Iron 2-Piece Grates
- Sealed Burners
- ADA Compliant

Convenience

- LP Conversion Kit



ADA Compliant

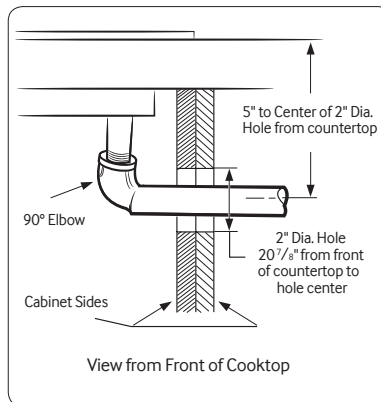
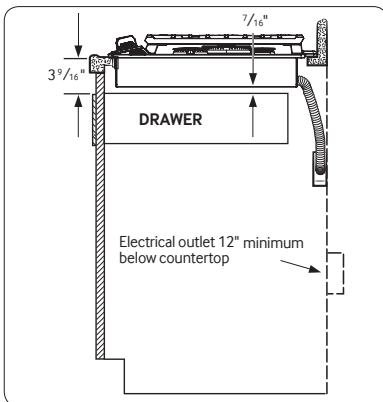
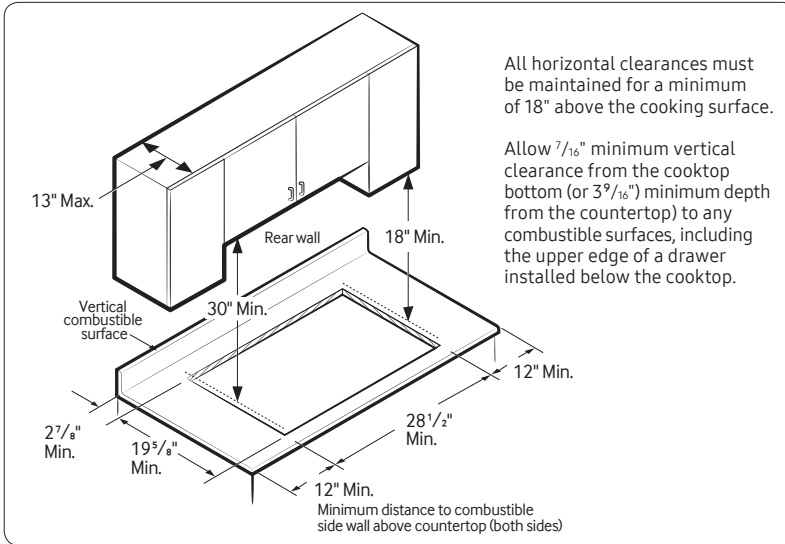
NA30R5310F

SAMSUNG

30" Gas Cooktop

Installation Requirements

Countertop cut-out and minimum clearance dimensions:



Total Power (BTU)

45K

Power Source

120V / 60 Hz / 1A

Gas Cooktop (BTU)

- Right Front: 17K (Power Burner)
- Left Front: 10K
- Right Rear: 5K (Simmer)
- Left Rear: 13K

Warranty

One (1) Year All Parts and Labor

Product Dimensions & Weight (WxHxD)

Outside (Max) Cooktop Dimensions: 30" x 5 $\frac{13}{16}$ " x 21"

Cooktop Cut-Out Dimensions: 28 $\frac{1}{2}$ " x 3 $\frac{1}{4}$ " x 19 $\frac{5}{8}$ "

Weight: 60.5 lbs (Stainless Steel)

60.7 lbs (Fingerprint Resistant

Black Stainless Steel)

Shipping Dimensions & Weight (WxHxD)

Dimensions: 34 $\frac{11}{16}$ " x 10 $\frac{5}{8}$ " x 25 $\frac{5}{8}$ "

Weight: 71.0 lbs

Color

Stainless Steel

Model

NA30R5310FS/AA

UPC Code

887276298924

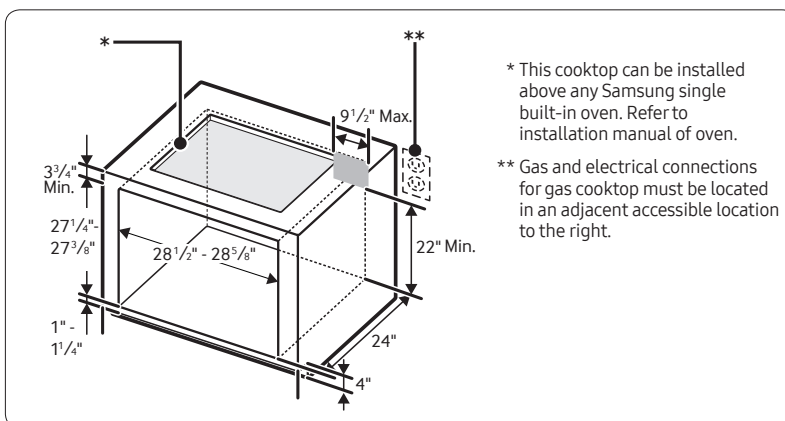
Fingerprint Resistant

Black Stainless Steel

NA30R5310FG/AA

887276298917

Installing Over a Single Oven



Cooktop Dimensions

