

# MG11T5018CC

SAMSUNG

## Samsung Countertop Microwave

1.1 cu. ft. Capacity



### Signature Features

#### Grilling

- Grilling element is great for crispy favorites like pizza.
- Ceramic plate allows for easier cleaning.

#### Intuitive Display

- Glass touch control panel combines ease of use with innovative design.

#### Ceramic Enamel Interior

- Scratch-resistant and easy-to-clean interior.
- Makes removing grease or oil effortless and protects against scratches from daily use.

### Available Colors



Charcoal (shown)



White



Grilling



Ceramic Enamel Interior

### Features

- 1.1 cu. ft. Capacity
- 1000W of Cooking Power
- LED Display
- Dessert/Popcorn
- Auto Defrost
- Auto Cook
- 10 Power Levels
- Cooking Presets
- Eco Mode

### Convenience

- Clock (12 hr)
- Child Safety Lock
- Sound On/Off

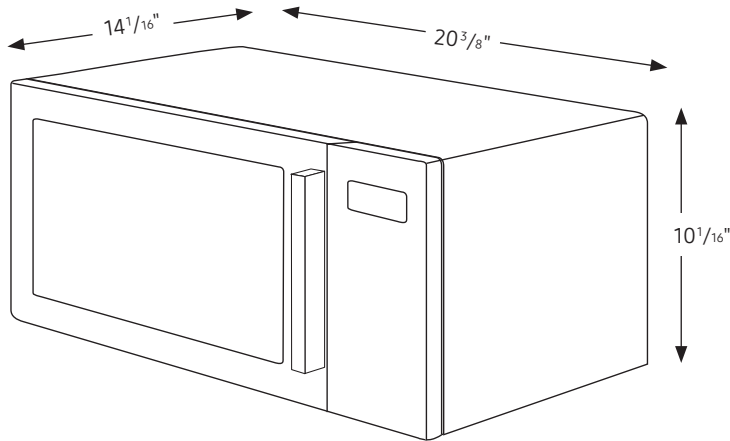
# MG11T5018CC

**SAMSUNG**

## Samsung Countertop Microwave

1.1 cu. ft. Capacity

### Dimensions



### Specifications

- Oven Cavity: 1.1 cu. ft.
- Power Output:
  - Microwave: 1000W
  - PowerGrill™: 1300W
- Power Consumption (Microwave): 1600W
- Power Source: 120V/60Hz
- Control Method: Touch
- Display: LED
- Cooking Control: 10 Power Levels
- Microwave Distribution Mechanism: Turntable

### Warranty

One (1) Year Parts and Labor

Ten (10) Years on Magnetron Microwave Technology

### Product Dimensions & Weight (WxHxD)

Cavity Dimensions: 14<sup>1/16</sup>" x 10<sup>1/16</sup>" x 14<sup>1/16</sup>"

Outside Net Dimensions: 20<sup>3/8</sup>" x 11<sup>3/4</sup>" x 16<sup>1/8</sup>"

Weight: 34 lbs

### Shipping Dimensions & Weight (WxHxD)

Dimensions: 22<sup>7/16</sup>" x 14<sup>1/4</sup>" x 18<sup>3/8</sup>"

Weight: 41.9 lbs

Color	Model #	UPC Code
Charcoal	MG11T5018CC	887276407609
White	MG11T5018CW	887276407623