

VERSATILE BUILT IN VENT HOOD. The new and improved Inca Smart power pack is perfect for the homeowner who wants a built in range hood that fits into most cabinets and most budgets. This restyled Inca Smart Stainless is now available in 240, 400, 600 CFM with LED lighting!



NEW DESIGN & NEW 400, 600 CFM OPTIONS!

AVAILABLE MODELS

Model #	Size / Color	Motor Class (CFM)	Sound Levels (sones)
INSP28SS240	28 Stainless Steel	240 CFM	0.8 - 3.5
INSP28SS400	28 Stainless Steel	400 CFM	3.0 - 6.0
INSP28SS600	28 Stainless Steel	600 CFM	3.5 - 7.5

KEY FEATURES



Updated Electronic Push Buttons

Backlit electronic controls with a LED light to indicate the current speed. The indicator lights change colors to indicate the new speed / function



LED Lighting

4 (W) LED energy efficient bulbs offer a warmer light for your cooking surface.



Easy Snap Mounting Clips

Installation made easy with built-in adjustable clips that tighten onto the sides of the cabinet floor

INCA SMART SS INSERT RANGE HOOD

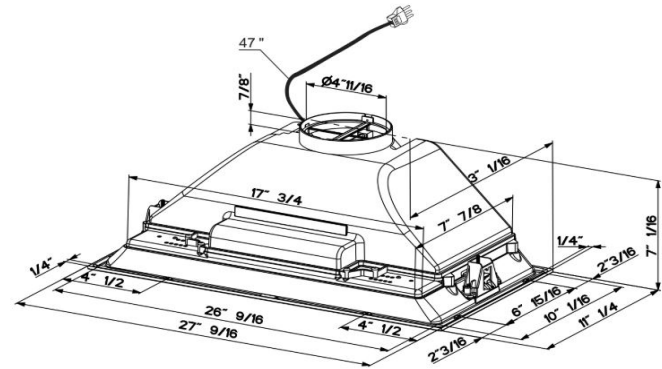


SPECIFICATIONS

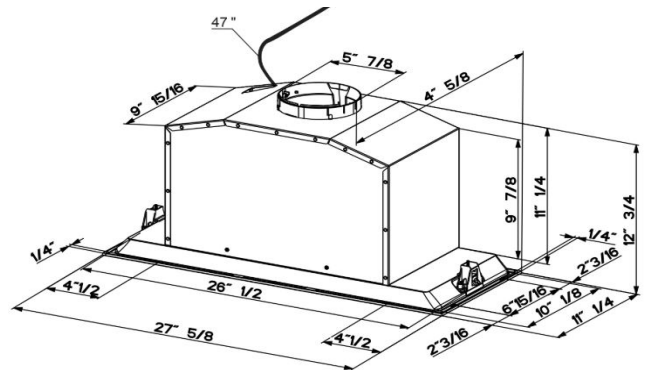
cut out dimensions	26 5/8" w x 10 1/4" d
body width depth	27 5/8" w X 11 1/4" d
height inside cabinet	7 1/16" (28SS240) / 12 3/4" (28SS400/600)
mounting height from cooking surface	24" - 30"
convertible to ductless	yes - FILTER4 - (SS240) FILTER1 / FILTER1LL (SS400/SS600)
controls	4 speed electronic push w/multi-colored LED
lighting	2 X 4 (w) LED - 1 Level
ducting top	5" round (SS240) / 6" round (SS400 & 600)
grease filters	dishwasher safe mesh
built in mounting hardware	yes - easy snap mounting clips
10 minute intensive speed	yes
power cord included	yes- wirebox optional (SS400/SS600)

DIMENSIONS

INSP28SS240



INSP28SS400 / 600



PERFORMANCE

MODEL	1	2	3	4
INSP28SS240	65	130	195	240
INSP28SS400	150	250	350	390
INSP28SS600	150	295	395	560

Inca Smart SS 240 Accessories

FILTER4 - Charcoal Filter Kit

High quality charcoal filter for use when recirculating the air back into the kitchen. Filters out odor and should be replaced every 6 months. Some ductwork is required to exhaust the unit out of the cabinet.

LINE30ST / LINE36ST - Stainless Steel Liner 30 & 36"

Create a perfectly sealed, non-combustible 4" tall perimeter to "line" the wood below the Inca Smart. Depth adjustable from 16" - 17 7/8". [SEE PAGE 3 FOR MORE INFO](#)

Inca Smart SS 400/600 Accessories

FILTER1 - Charcoal Filter Kit

High quality charcoal filter for use when recirculating the air back into the kitchen. Filters out odor and should be replaced every 6 months.

WIREBOX - Fixed Wiring Box

Replace the power cord with a hard wired box to power the range hood.

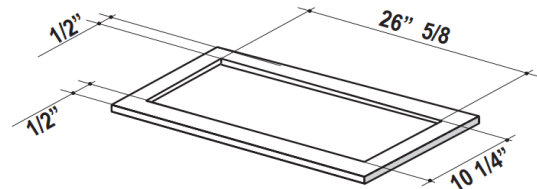
FILTER1LL - Long Lasting Charcoal Filter Kit

New washable charcoal filter can be recharged and washed up to 8 times. For use when recirculating the air back into the kitchen. Filters out odor and can last up to 4 years.

LINE30ST / LINE36ST - Stainless Steel Liner 30 & 36"

Create a perfectly sealed, non-combustible 4" tall perimeter to "line" the wood below the Inca Smart. Depth adjustable from 16" - 17 7/8". [SEE PAGE 3 FOR MORE INFO](#)

CUT OUT (ALL MODELS)



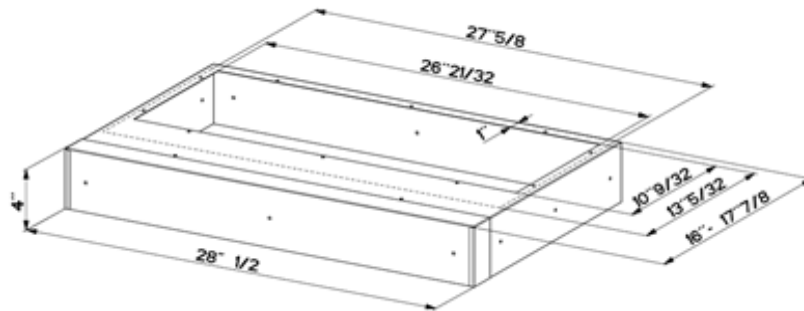
WARNING! Product specifications are subject to change without notification. Consult the installation instructions before you begin installing this range hood. * Check local make up air codes for guidelines.



LINER SPECIFICATIONS

Liners are stainless steel kits that are optional for cabinet insert hoods. They create a metal 4" tall perimeter to "line" the wood below the range hood with metal. They create a more finished look and move the range hood up 4" creating additional capture area. In some cases, a liner may be required by local code if the cabinet starts at below 30" off the stove (check local building codes). All liners are adjustable in depth with a telescoping frame.

LINE30ST - USE WITH INSP28 ONLY FOR 30" WIDE CABINETS



LINE36ST - USE WITH INSP28 ONLY FOR 36" WIDE CABINETS

