

NEW BUILT IN VENTILATION TO PAIR WITH CURRENT KITCHEN TRENDS. A NEW PRO style built in range hood with a depth of 13 3/4" making it an ideal choice for custom depth 15" cabinetry and perfect for kitchen remodeling projects. The restaurant style baffle filters and all metal motor housing & impellers will stand up to the heat!

Now With
Variable Air Management
Adjust CFM for
your local codes

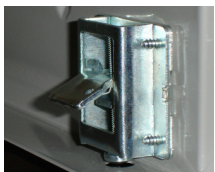


AVAILABLE MODELS

Model #	Size / Color	Set your CFM Level	Sound Levels (sones)
INSD29SSV	29 Stainless	600, 395, 295 CFM	2.8 - 7.5 sones
INSD35SSV	35 Stainless	600, 395, 295 CFM	2.8 - 7.5 sones

Note: set to 600 CFM motor class out of the box

KEY FEATURES



Easy Snap Mounting Clips

Installation with easy built-in adjustable clips that tighten onto the sides of the cabinet floor



Pro Baffle Filter

Professional style baffle grease filters, which are dishwasher safe and are able to stand up to pro cooking



Pro Blower

An all metal housing and metal impellers to take the heat from professional style cooking



Direct Rear Venting

Vent the ducting up or rotate the blower to the back (as shown above) to avoid extra duct work when on an outside wall

INCA SD

PRO INSERT RANGE HOOD



SPECIFICATIONS

cut out dimensions 29"	27 5/8" w x 13 9/16" d
cut out dimensions 35"	33 5/8" w x 13 9/16" d
convertible to ductless / recirculating	yes - FILTER1 or FILTER1LL
body width depth	28 3/8" OR 34 5/16" w X 13 3/4" d
height inside cabinet	12 15/16" high
Variable Air Management	Yes (set to 295, 395, 600 CFM)
controls	4 speed electronic w/ white LED
lighting	2 X 5 W LED
ducting top/rear (Vari-Duct)	6" round
built In mounting	Yes - Easy Snap Clips
grease filters	dishwasher safe pro baffle
Pro motor w/ metal impellers	yes
10 minute intensive speed	yes
15 minute auto shut off	yes
ADA compliant	yes - with optional remote
power cord included	yes

PERFORMANCE

	SPEED	1	2	3	BOOST
CFM		150	295	395	560
Sones		2.8	4.3	6.0	7.5

ACCESSORIES

FILTER1 - Charcoal Filter Kit

High quality charcoal filter for use when recirculating the air back into the kitchen. Filters out odor and should be replaced every 6 months

FILTER1LL - Long Lasting Charcoal Filter Kit

New washable charcoal filter can be recharged and washed up to 8 times. For use when recirculating the air back into the kitchen. Filters out odor and can last up to 4 years.

REMCTRL2 - Remote Control

Control all features of the hood from the convenience of a ADA compliant wireless remote control.

LINE30ST / LINE36ST - Stainless Steel Liner 30 & 36"

Create a perfectly-sealed, non-combustible 4" tall perimeter to "line" the wood below the hood. Depth adjustable from 16" - 17 7/8". **(FOR 29" HOOD ONLY)**

LINE36PT **(FOR 35" HOOD ONLY)**

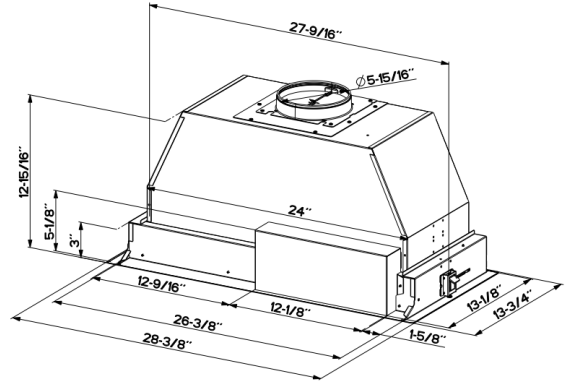
MUDAMPER6 / MUDAMPER8 - Universal Make-Up Air Damper
Satisfies make-up air requirements, this kit uses an air switch to activate the make-up air damper to open and bring fresh air into the home when the hood fan is on. It then closes tightly when the hood is off. The CFM level is not reduced with this accessory.

WIREBOX - Fixed Wiring Box

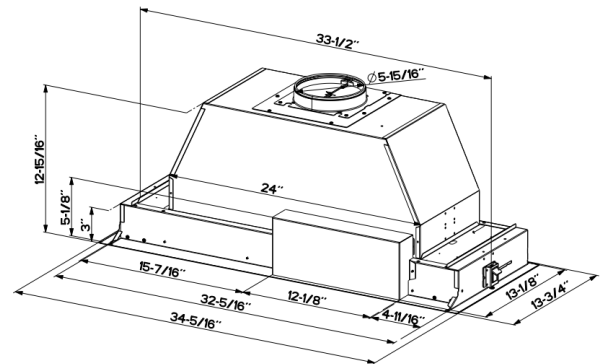
Replace the power cord with a hard wired box to power the range hood

DIMENSIONS

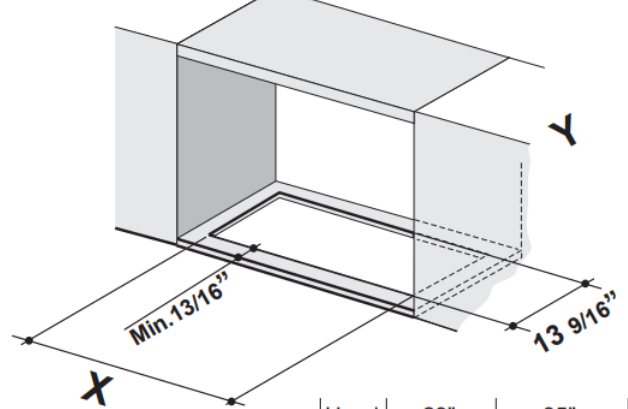
29" Dimensions



35" Dimensions



Cut Out Size



Hood	29"	35"
X	27 5/8"	33 5/8"
Y	13 9/16"	13 9/16"

WARNING! Product specifications are subject to change without notification. Consult the installation instructions before you begin installing this range hood. * Check local make up air codes for guidelines.

