

# GFD14ESSNWW

## GE® 4.3 Cu.Ft. Capacity Electric Dryer

### DIMENSIONS AND INSTALLATION INFORMATION (IN INCHES)

#### ELECTRIC DRYER RATING

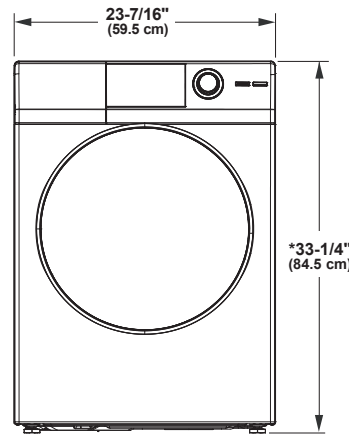
240V	2800W, 12A, 60Hz
------	------------------

**CIRCUIT REQUIREMENTS:** An individual, properly grounded branch circuit, protected by a 30-amp circuit breaker or a time-delay fuse, is required.

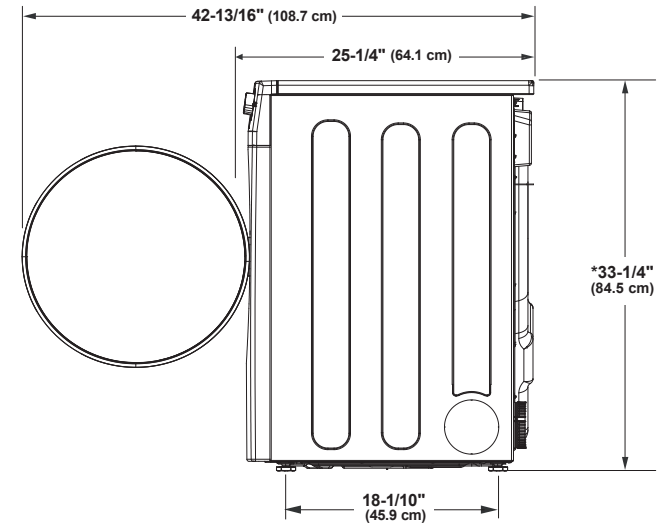
**NOTE:** Dryer wall outlet must be located within 36" of service cord entry and accessible when dryer is mounted in position.

**INSTALLATION INFORMATION:** For complete information, see installation instructions packed with your dryer.

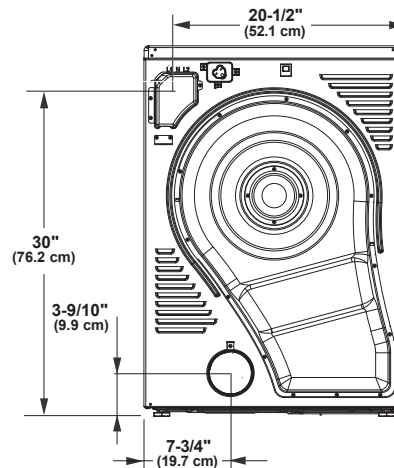
Front View



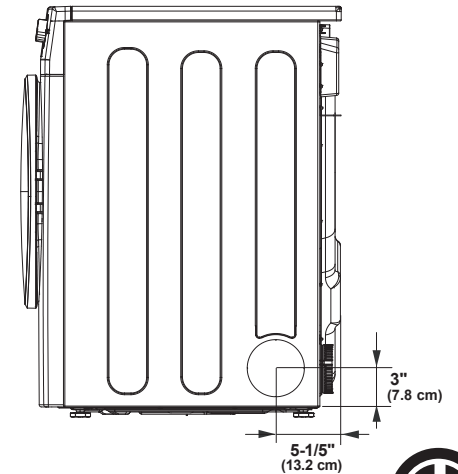
Side View



Back View



Side View



For answers to your Monogram, GE Café™ Series, GE Profile™ Series or GE Appliances product questions, visit our website at [geappliances.com](http://geappliances.com) or call GE Answer Center® Service, 800.626.2000.



Specification Revised 3/19

# GFD14ESSNWW

## GE® 4.3 Cu.Ft. Capacity Electric Dryer

### SPECIAL INSTALLATION REQUIREMENTS:

#### ALCOVE OR CLOSET INSTALLATION:

Stacking Kit - GFA24KITL (not included)

If your dryer is approved for installation in an alcove or closet, it will be stated on a label on the dryer back.

Minimum clearances between dryer cabinet and adjacent walls or other surfaces are: 1" left and right sides, 1" top, 3" front and rear.

Minimum clearances between washer cabinet and adjacent walls or other surfaces are: 1" left and right sides, 1" top, 1" front and rear.

Closet doors must be louvered or otherwise ventilated and must contain a minimum of 60 sq. in. of open area equally distributed. If this closet contains both a washer and a dryer, doors must contain a minimum of 120 sq. in. of open area equally distributed.

No other fuel-burning appliance shall be installed in the same closet with a gas dryer.

#### BATHROOM OR BEDROOM INSTALLATION:

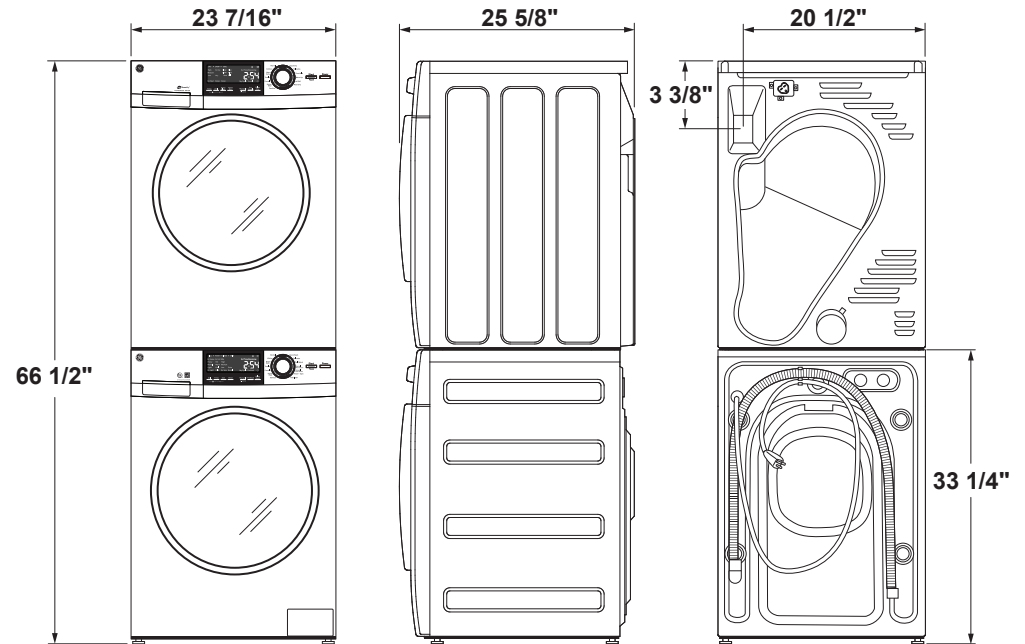
The installation must conform with the local codes, or in the absence of local codes, with the National Electric Code and National Fuel Gas Code, ANSI Z223 for gas dryers.

#### MINIMUM CLEARANCE OTHER THAN ALCOVE OR CLOSET INSTALLATIONS:

Minimum clearances to combustible surfaces 0" both sides, 3" rear.

**FOR MORE INFORMATION ON VENTING KITS AND ACCESSORIES,  
PLEASE CALL 1-800-GE-CARES.**

### STACKED DIMENSIONS (IN INCHES)



For answers to your Monogram, GE Café™ Series, GE Profile™ Series or GE Appliances product questions, visit our website at [geappliances.com](http://geappliances.com) or call GE Answer Center® Service, 800.626.2000.



Specification Revised 3/19

# GFD14ESSNWW

## GE® 4.3 Cu.Ft. Capacity Electric Dryer

### DRYER EXHAUSTING INFORMATION - METAL DUCT ONLY

**FOR COMPLETE INFORMATION, SEE INSTALLATION INSTRUCTIONS PACKED WITH YOUR DRYER.**

**DUCTING MATERIALS:** For best performance, this dryer should be vented with 4" diameter all rigid metal exhaust duct. If rigid metal duct cannot be used, then UL-listed flexible metal (semi-rigid) ducting can be used (Kit WX08X10077). In special installations, it may be necessary to connect the dryer to the house vent using a flexible metal (foil-type) duct. A UL-listed flexible metal (foil-type) duct may be used **ONLY** in installations where rigid metal or flexible metal (semi-rigid) ducting cannot be used **AND** where a 4" diameter can be maintained throughout the entire length of the transition duct. Please see installation instruction packed with your dryer for complete instructions when using flexible metal (foil type) ducting.

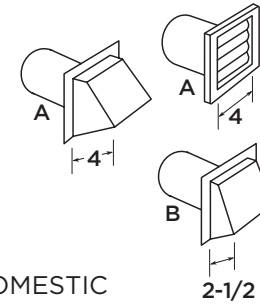
#### EXHAUST LENGTH CALCULATION:

- Determine the number of 90° turns needed for your installation. If you exhaust to the side or bottom of dryer, add one turn.
- The maximum length of 4' rigid (aluminum or galvanized) duct which can be tolerated is shown in the table.
  - A turn of 45° or less may be ignored. Two 45° turns within the duct length should be treated as a 90° elbow.
  - A turn over 45° should be treated as a 90° elbow.

Dryers **must** be exhausted to the outside.

**CAUTION:** For personal safety do not terminate exhaust into a chimney, under any enclosed house floor (crawl space), or into an attic, since the accumulated lint could create a fire hazard or moisture could cause damage. Never terminate the exhaust into a common duct or plenum with a kitchen exhaust, since the combination of lint and grease could create a fire hazard.

Exhaust ducts should be terminated in a dampered wall cap to prevent back drafts, bird nesting, etc. The wall cap must also be located at least 12" above the ground or any other obstruction with the opening pointed down.



DOMESTIC DRYER MODELS	NUMBER OF 90° TURNS	BEST PERFORMANCE	
		MAXIMUM LENGTH OF 4" DIA. RIGID METAL DUCT	
		EXHAUST HOOD TYPE	
		A 4" OPENING	B 2-1/2" OPENING
4.0 CU. FT. CAPACITY MODELS	0	90 FT.	60 FT.
ALL ELECTRIC DRYERS	1	60 FT.	45 FT.
	2	45 FT.	35 FT.
	3	35 FT.	25 FT.

For every extra 90° elbow, reduce the allowable vent system length by 10 ft.

Two 45° elbows will be treated like one 90° elbow. For the side exhaust installations, add one 90° elbow to the chart. The total vent system length includes all the straight portions and elbows of the system (transition duct included).



**FOR MORE INFORMATION ON VENTING KITS AND ACCESSORIES, PLEASE CALL 1-800-GE-CARES.**

For answers to your Monogram, GE Café™ Series, GE Profile™ Series or GE Appliances product questions, visit our website at [geappliances.com](http://geappliances.com) or call GE Answer Center® Service, 800.626.2000.



# GFD14ESSNWW

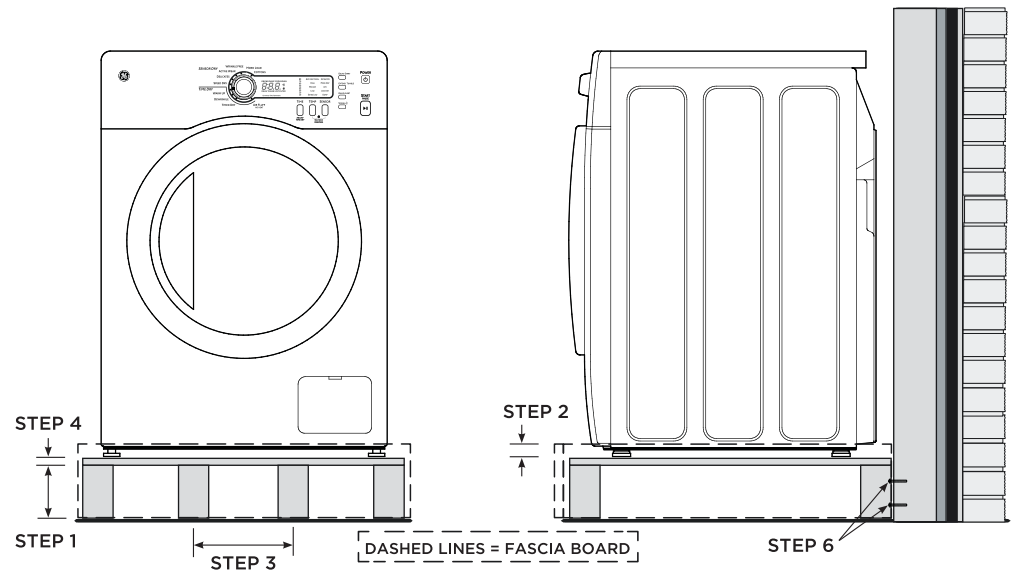
## GE® 4.3 Cu.Ft. Capacity Electric Dryer

### INSTALLATION INFORMATION

#### PLATFORM REQUIREMENTS TO MEET THE GUIDELINES FOR THE AMERICANS WITH DISABILITIES ACT (ADA)

#### FABRICATE A WOODEN PLATFORM FOLLOWING THESE REQUIRED INSTRUCTIONS FOR ADA COMPLIANCE:

1. The platform must raise the appliance at least 3", but not more than 7".
2. A hardwood fascia board that is 1" thick is required on any open side of the platform. The fascia board must have a lip height of 1" above the top to allow the consumer to open the front clean-out panel. Each fascia board must be attached with minimum of six 1/4" - 20 x 4" bolts with fender washers and locknuts on the backside.
3. The suggested maximum distance between lateral supports is 10".
4. Plywood top must be 3/4" thick.
5. The platform length can be dimensioned to fit one or multiple front loading compact laundry units.
6. The platform must be firmly secured, at least at two points, to an adjacent wall.
7. Place the front loading compact laundry unit(s) on the completed platform.
8. The front of any front loading compact laundry unit must be less than 10" from the front of the platform including the fascia board.
9. Follow the Installation Instructions shipped with your washer and/or dryer to complete the installation.



Front loading compact washer shown mounted on the wooden platform which is secured to adjacent wall

**QUESTIONS? CALL 800.GE.CARES (800.432.2737)  
OR VISIT OUR WEB SITE AT: GEAPPLIANCES.COM**



For answers to your Monogram, GE Café™ Series, GE Profile™ Series or GE Appliances product questions, visit our website at [geappliances.com](http://geappliances.com) or call GE Answer Center® Service, 800.626.2000.



Specification Revised 3/19

# GFD14ESSNWW

## GE® 4.3 Cu.Ft. Capacity Electric Dryer

### FEATURES AND BENEFITS

**HE Sensor Dry** – Keep your clothes looking and feeling their best. Dual thermistors continually monitor temperature with a sensor bar that measures moisture to prevent over-drying

**13 Dry Cycles** – Delivers optimal drying results with a customized cycle for every load

**WiFi Capable** – Monitor performance and checks cycle status using your mobile device.  
\*Required ConnectPlus accessory part number PVX10W00Y0 sold separately.

**Outlet for Washer** – Provides an outlet for the washer for easy and flexible installation

**My Cycle Settings** – Dry clothes with the settings you prefer on any cycle, rather than the defaults, and store your settings for later use

**ENERGY STAR® qualified** – Meets or exceeds federal guidelines for energy efficiency for year-round energy and money savings

**Delay start** – Lets you do the laundry on your terms

**Sanitize Cycle** – Testing done by NSF shows that the Sanitize cycle reduces 96.7% of bacteria

**Extended Tumble** – Tumble clothes without heat to help prevent creasing and wrinkling

**Quick Dry** – Quickly dries items and small loads for families on the go

**4 temperature selections** – Pick the drying temperature you prefer for enhanced drying performance and fabric care

**Cycle countdown display with LED indicators** – Know exactly how much time is left for each cycle with bright display and lights

**Stainless steel drum** – Long-lasting, durable stainless steel resists rust and won't chip, peel or snag clothes

**Model GFD14ESSNWW** – White on white

