



GE APPLIANCES

Installation Instructions

Built-In Dishwasher

If you have questions, call GE Appliances at 800.GE.CARES (800.432.2737) or visit our website at: GEAppliances.com. In Canada, please call 800.561.3344 or visit www.geappliances.ca

BEFORE YOU BEGIN

Read these instructions completely and carefully.

▲ WARNING

- Remove all power leading to the appliance from the circuit breaker or fuse box before beginning installation. Failure to do so can result in a risk of electrical shock.
- To reduce the risk of electric shock, fire, or injury to persons, the installer must ensure that the dishwasher is completely enclosed at the time of installation.
- The improper connection of the equipment grounding conductor can result in a risk of electric shock. Check with a qualified electrician or service representative if you are in doubt that the appliance is properly grounded. If house wiring is not 2-wire with ground, a ground must be by the installer. When house wiring is aluminum, be sure to use UL-Listed anti-oxidant compound and aluminum-to-copper connectors.
- To reduce the risk of electric shock, fire, or injury to persons, the installer should check to ensure that wires are not pinched or damaged, the house wiring is attached to the junction box bracket through a strain relief, and all electrical connections made at the time of install (wire nuts) are contained inside of the junction box cover.
- Do not use an extension cord or adapter plug with this appliance.

- Be sure to leave complete literature package, these Installation Instructions and product samples and/or coupons with the consumer.

NOTE: Product improvement is a continuing endeavor at GE Appliances. Therefore, materials, appearance and specifications are subject to change without notice.

FOR YOUR SAFETY

Read and observe all **WARNINGS** and **CAUTIONS** shown throughout these instructions.

While performing installations described in this booklet, **gloves and safety glasses or goggles should be worn.**

IMPORTANT – Observe all governing codes and ordinances.

- **Note to Installer** – Be sure to leave these instructions for the consumer's and local inspector's use.

- **Note to Consumer** – Keep these instructions with your Owner's Manual for future reference.

- **Skill Level** – Installation of this dishwasher requires basic mechanical, electrical and plumbing skills.

Proper installation is the responsibility of the installer. Product failure due to improper installation is not covered under the GE Appliances Warranty. See Warranty information.

- **Completion Time – 1 to 3 Hours.** New installations require more time than replacement installations.

IMPORTANT – The dishwasher **MUST** be installed to allow for future removal from the enclosure if service is required.

Care should be exercised when the appliance is installed or removed, to reduce the likelihood of damage to the power supply cord.

If you received a damaged dishwasher, you should immediately contact your dealer or builder.

Optional Accessories – See the Owner's Manual for available custom panel kits.

Your dishwasher is a water heating appliance.

**READ CAREFULLY
KEEP THESE INSTRUCTIONS**



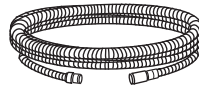
0120501699B

31-31590 03-18 GEA

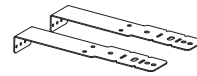
Installation Preparation

PARTS SUPPLIED IN INSTALLATION PACKAGE:

- Drain hose extension
- Hose Clamp
- 2 mounting brackets for wood countertop or side cabinets (**NOTE:** Use the appropriate brackets, as shown, for your model width.)
- Toekick Insulation (18" Models Only)
- 6 Phillips-Head screws to secure dishwasher to underside of countertop or to side cabinets
- Literature, samples and/or coupons

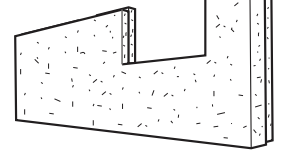


Drain Hose Extension

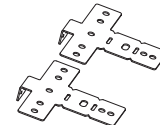


Mounting Brackets (18" Models Only)

Toekick Insulation (18" Models Only)



Hose Clamp



Mounting Brackets (24" Models Only)



Phillips-Head Screws



Literature

MATERIALS YOU WILL NEED:

- UL-listed wire nuts (3)
- Thread Seal Tape
- 90° elbow (3/4" hose internal thread on one end, opposite end sized to fit water supply)



Wire Nuts (3)



Thread Seal Tape



90° Elbow

Materials For New Installations Only:

- Air gap for drain hose, if required
- Waste tee for house plumbing, if applicable
- Electrical cable or Power Cord Kit **WX09X70910** (5' 4" long) or **WX09X70911** (7' 9" long) depending on your installation.
- Screw-type hose clamp(s)
- Strain relief for electrical connection
- Hand shut-off valve (recommended)
- Hot water line—3/8" minimum, copper tubing (including ferrule, compression nut) or GE Appliances Part # **WX28X326**, flexible braided hose.



Air Gap



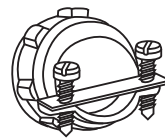
Waste Tee



Electrical Cable (or Power Cord, if applicable)



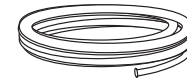
Hose Clamp(s)



Strain Relief



Hand Shut-Off Valve



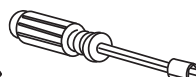
Hot Water Line, Ferrule and Compression Nut

TOOLS YOU WILL NEED:

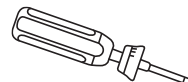
- Phillips-head screwdriver
- 1/4" and 5/16" nutdriver
- T25 torque driver
- 6" adjustable wrench
- Gloves
- Safety glasses
- Flashlight
- Bucket to catch water when flushing the line
- Level
- Measuring tape
- Carpenter's square



Phillips-Head Screwdriver



1/4" and 5/16" Nutdriver



T25 Torque Driver



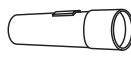
6" Adjustable Wrench



Gloves



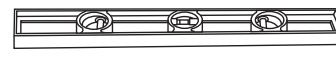
Safety Glasses



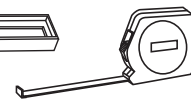
Flashlight



Bucket

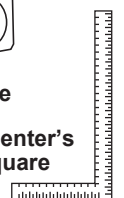


Level



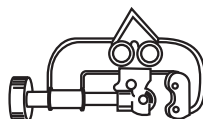
Measuring Tape

Carpenter's Square

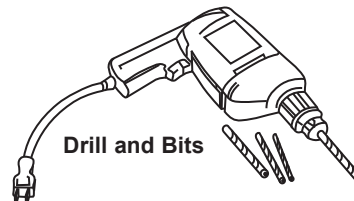


For New Installations Only:

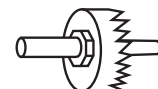
- Tubing cutter
- Drill and appropriate bits
- Hole saw set



Tubing Cutter



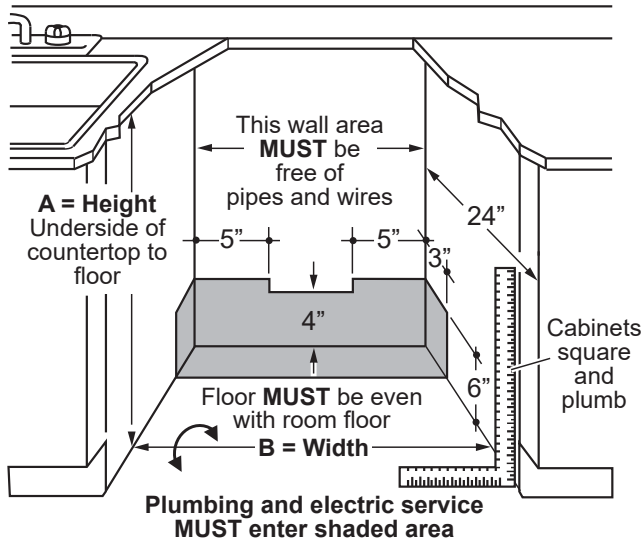
Drill and Bits



Hole Saw Set

Installation Preparation

PREPARE DISHWASHER ENCLOSURE



	A	B
18" Models Only	32-1/2" min.-34-3/4" max.	18"
24" Models Only	32-3/8" min.-34-3/4" max.	24"

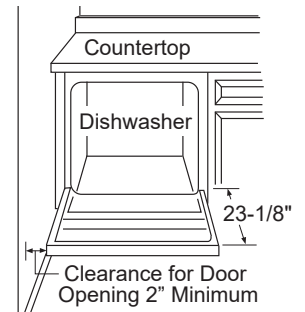
⚠ WARNING

To reduce the risk of electric shock, fire, or injury to persons, the installer must ensure that the dishwasher is completely enclosed at the time of installation.

- The dishwasher must be installed so that drain hose is no more than 12' in length for proper drainage.
- The dishwasher must be fully enclosed on the top, sides and back, and must not support any part of the enclosure.

CLEARANCES:

- When installed into a corner, allow 2" min. clearance between dishwasher and adjacent cabinet, wall or other appliances. Allow 23-1/8" min. clearance from the front of the dishwasher for door opening.



DRAIN REQUIREMENTS

- Follow local codes and ordinances.
- Do not exceed 12' distance to drain.
- Drain connection height is not to exceed 72" above bottom of dishwasher.

NOTE : Air gap must be used if waste tee or disposer connection is less than 18" above floor to prevent siphoning.

DETERMINE DRAIN METHOD

The type of drain installation depends on the following questions.

- Do local codes or ordinances require an air gap?
- Is waste tee less than 18" above floor?

If the answer to either question is YES, Method 1 MUST be used.

- If the answers are NO, either method may be used.

CABINET PREPARATION

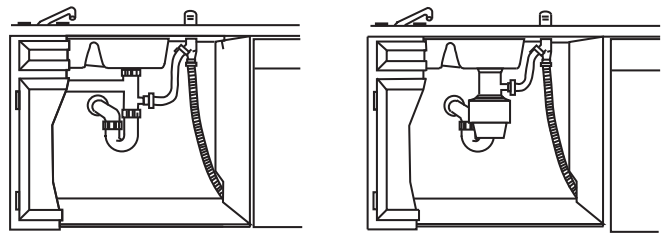
- Drill a 1-1/2" diameter hole in the cabinet wall within the shaded areas shown in **PREPARE DISHWASHER ENCLOSURE** for the drain hose connection. The hole should be smooth with no sharp edges.

IMPORTANT – When connecting drain line to disposer, check to be sure that drain plug has been removed. **DISHWASHER WILL NOT DRAIN IF PLUG IS LEFT IN PLACE.**

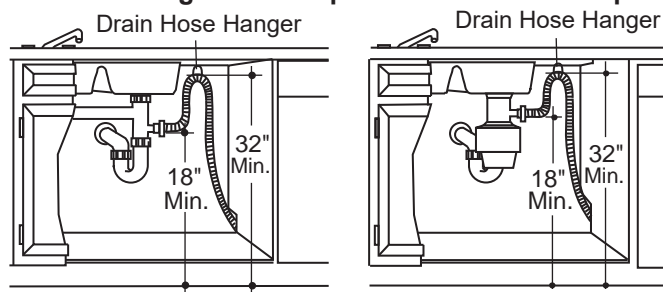


Method 1 – Air Gap with Waste Tee or Disposer

An air gap must be used when required by local codes and ordinances. The air gap must be installed according to manufacturer's instructions.



Method 2 – "High Drain Loop" with Waste Tee or Disposer



Tip: Avoid unnecessary service call charges.

Always be sure disposer drain plug has been removed before attaching dishwasher drain hose to the disposer.

Installation Preparation

PREPARE ELECTRICAL WIRING

⚠ WARNING

Remove all power leading to the appliance from the circuit breaker or fuse box before beginning installation. Failure to do so can result in a risk of electrical shock.

Electrical Requirements

- This appliance must be supplied with 120V, 60 Hz., and connected to an individual properly grounded branch circuit, protected by a 15- or 20-ampere circuit breaker or time-delay fuse.
- Wiring must be 2 wire with ground and rated for 167°F (75°C).
- If the electrical supply does not meet the above requirements, call a licensed electrician before proceeding.

Grounding Instructions—Permanent Connection

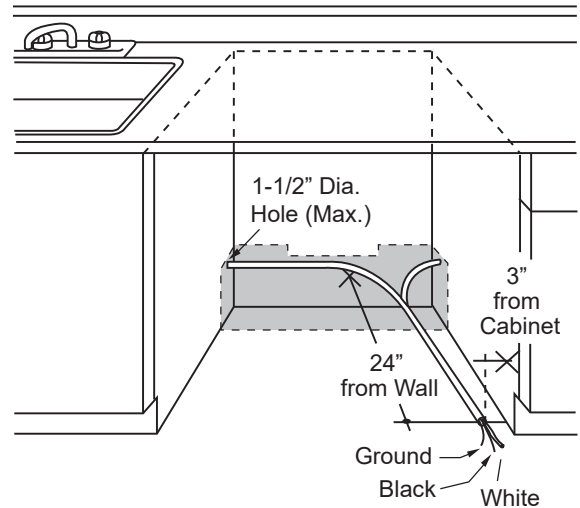
This appliance must be connected to a grounded metal, permanent wiring system, or an equipment-grounding conductor must be run with the circuit conductors and be connected to the equipment-grounding terminal or lead on the appliance.

Grounding Instructions—Power Cord Models

This appliance must be grounded. In the event of a malfunction or breakdown, grounding will reduce the risk of electric shock by providing a path of least resistance for electric current. This appliance is equipped with a cord having an equipment-grounding conductor and a grounding plug. The plug must be plugged into an appropriate outlet that is installed and grounded in accordance with all local codes and ordinances.

⚠ WARNING

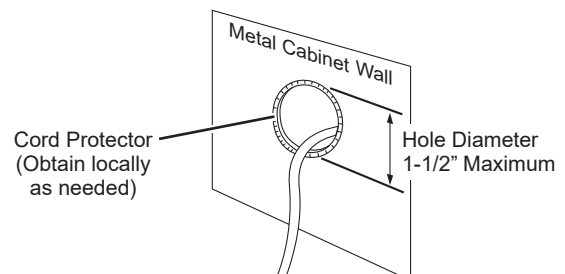
The improper connection of the equipment grounding conductor can result in a risk of electric shock. Check with a qualified electrician or service representative if you are in doubt that the appliance is properly grounded. Do not modify the plug provided with the appliance; if it will not fit the outlet, have a proper outlet installed by a qualified technician.



Cabinet Preparation & Wire Routing

- The wiring may enter the opening from either side, rear or the floor within the shaded area illustrated above in figure and as defined in **PREPARE DISHWASHER ENCLOSURE** section.
- Cut a 1-1/2" maximum diameter hole to admit the electrical cable. Edges of hole should be smooth and rounded. Permanent wiring connections may pass through the same hole as the drain hose and hot water line, if convenient. If cabinet wall is metal, the hole edge must be covered with a bushing.

NOTE: Power cords with plug must pass through a separate hole in the cabinet.



Electrical Connection to Dishwasher

Electrical connection is on the right front of dishwasher.

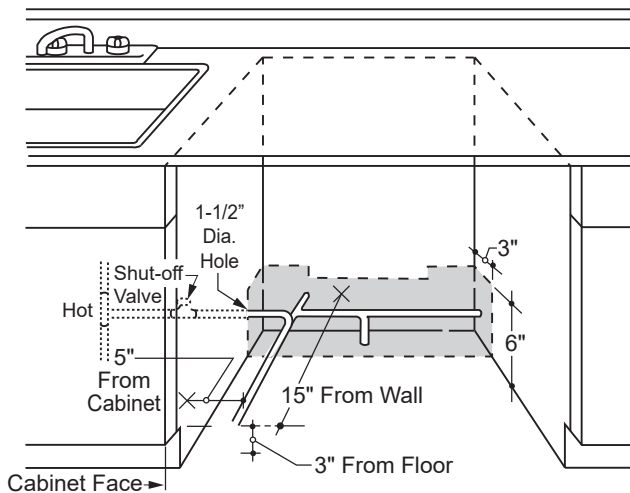
- For permanent connections the cable must be routed as shown in figure. Cable must extend a minimum of 24" from the rear wall.
- For power cord connections, install a 3-prong grounding type receptacle in the sink cabinet rear wall, 6" min. or 18" maximum from the opening, 6" to 18" above the floor.
- Use only **WX09X70910** (5' 4" long) or **WX09X70911** (7' 9" long) Dishwasher Power Cord Kit. Do not use an extension cord or adapter plug with this appliance.

Installation Preparation

PREPARE HOT WATER LINE

NOTE: GE Appliances recommends copper tubing for the water line, but if you choose to use flexible hose, use GE Appliances **WX28X326**, flexible braided hose.

- The water supply line (3/8" copper tubing or flexible braided hose) may enter from either side, rear or floor within the shaded area shown in the figure.
- The water supply line may pass through the same hole as the electrical cable and drain hose. Or, cut an additional 1-1/2" diameter hole to accommodate the water line. If power cord with plug is used, water line must not pass through power cord hole.



WATER LINE CONNECTION

- If using a flexible braided supply hose, label the hose with the installation date to use as reference. Flexible braided hoses, elbows and gaskets should be replaced in 5 years.
- Turn off the water supply.
- Install a hand shut-off valve in an accessible location, such as under the sink. (Optional, but strongly recommended and may be required by local codes.)
- Water connection is on the left side of the dishwasher. Install the hot water inlet line, using no less than 3/8" copper tubing or a flexible braided hose. Route the line as shown in **PREPARE HOT WATER LINE** and extend forward at least 19" from rear wall.
- Adjust water heater for 120°F to 140°F temperature.
- Flush water line to clean out debris.
- The hot water supply line pressure must be 20-120 PSI.

PREPARATION

Locate the items in the installation packages:

- Screws
- Drain hose extension
- Mounting brackets
- Literature, product samples and/or coupons

Turn page to begin dishwasher installation.

Dishwasher Installation

STEP 1 CHECK DOOR BALANCE

CAUTION

Opening the door will cause the dishwasher to tip forward when it is not fully installed. When opening the door prior to the dishwasher being fully installed, hold the top of the dishwasher securely with one hand and hold the door with the other hand. Gloves should be worn.



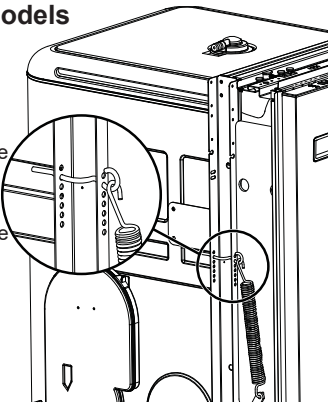
To check the door balance, hold the top of the dishwasher firmly.

- Check the door balance by opening and closing the door.

- If the door drops when released, increase the spring tension. If the door rises when released, decrease the spring tension.

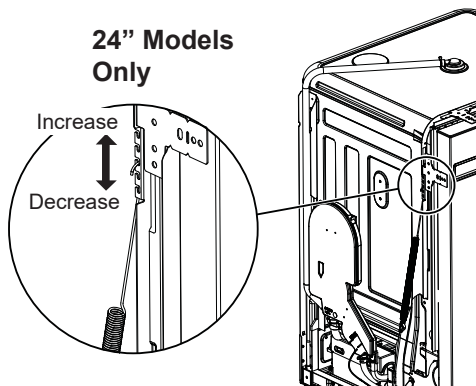
18" Models Only

Increase
Decrease



24" Models Only

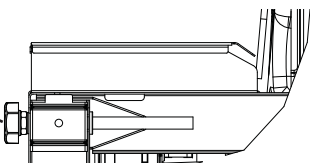
Increase
Decrease



STEP 2 ADJUST LEVELING LEGS

- Move the dishwasher close to the installation location and lay it on its back. **NOTE:** Do not place the dishwasher on its side.
- Measure installation height and dishwasher height. Extend leveling legs out from the dishwasher base, 1/2" less than installation height.

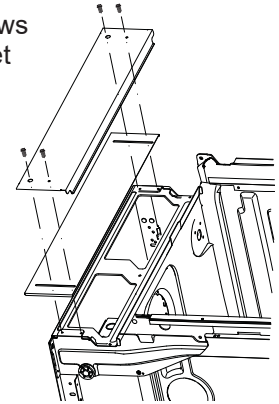
Adjust to Installation Height



Leveling leg shown with the dishwasher laying on its back

STEP 3 REMOVE TOEKICK

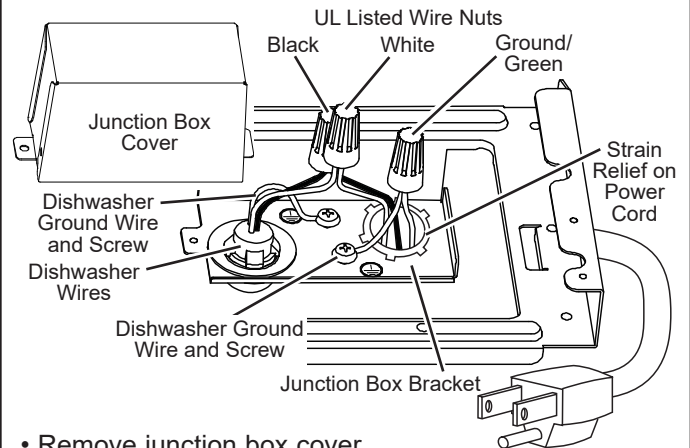
- Remove the 4 toekick screws and the 2-piece toekick. Set aside for use in Step 19.



STEP 4 INSTALL POWER CORD

Skip this step if the dishwasher will be permanently connected to the house electrical system or has a factory-installed power cord.

- The power cord and connections must comply with the National Electrical Code, Section 422 and/or local codes and ordinances. Maximum power cord length is 6 feet. Power Cord Kit **WX09X70910** or **WX09X70911**, available for purchase from an authorized GE Appliances dealer, meets these requirements.

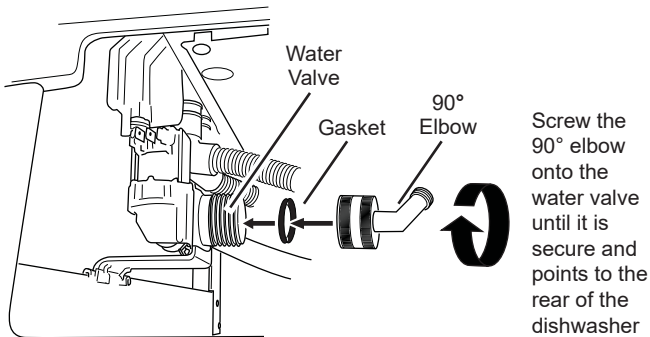


- Remove junction box cover.
- Install strain relief in the junction box bracket.
- Insert the power cord through the strain relief and tighten.
- Make sure black, white and green dishwasher wires are threaded through the hole in the junction box bracket.
- Connect power cord white (or ribbed) to dishwasher white, black (or smooth) to dishwasher black and ground to dishwasher green wire. Use UL-listed wire nuts of appropriate size.
- Replace junction box cover using the screw. Be sure wires are not pinched under the cover.

Dishwasher Installation

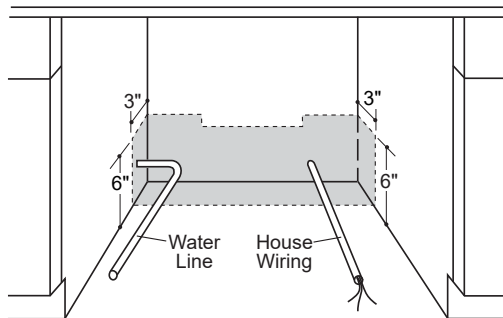
STEP 5 INSTALL 90° ELBOW

- Ensure rubber gasket is located between valve and elbow.
- Thread 90° elbow onto the water valve.
- Do not overtighten elbow. Water valve bracket could bend or water valve fitting could break.
- Position the end of the elbow to face the rear of the dishwasher.



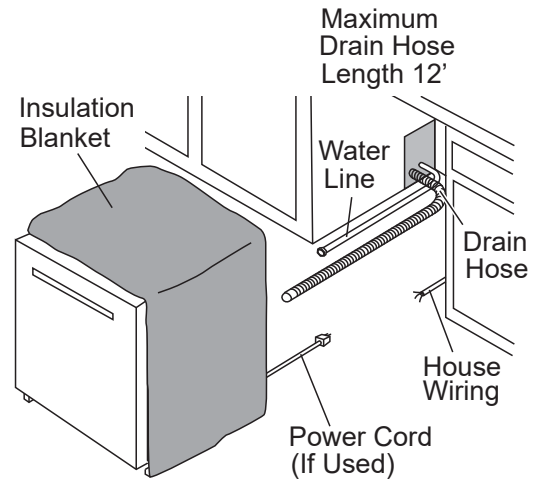
STEP 6 POSITION WATER LINE AND HOUSE WIRING

- Position water supply line and house wiring on the floor of the opening to avoid interference with base of dishwasher and components under dishwasher.



STEP 7 INSTALL DRAIN HOSE, THROUGH CABINET

- Stand the dishwasher upright and position it in front of cabinet opening. Insert drain hose into the hole in cabinet side. If a power cord is used, guide the end through a separate cabinet opening.



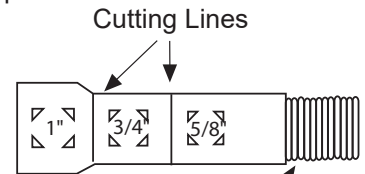
Tip: Prevent unnecessary service call charges for fill, drain or noise concerns.

Position utility lines so they do not interfere with anything under or behind the dishwasher.

STEP 8 CONNECT DRAIN LINE

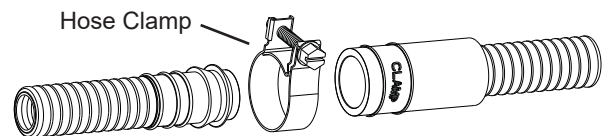
The molded end of the drain hose will fit 5/8" through 1" diameter inlet ports on the air gap, waste tee or disposer.

- Determine size of inlet port.
- Cut drain hose connector on the marked line, if required, to fit the inlet port.



- Use the drain hose extension provided and connect directly to the drain loop already attached to the unit. Secure the connection, with hose clamp, to the provided user bag drain hose.

IMPORTANT: Do NOT cut corrugated portion of hose



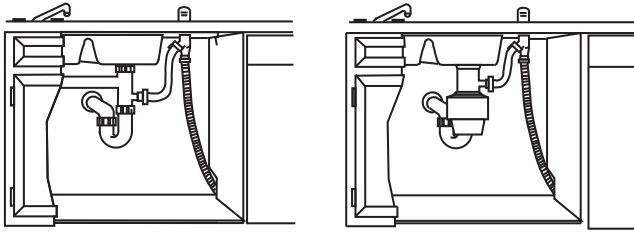
- **DRAIN CONNECTION HEIGHT IS NOT TO EXCEED 72" ABOVE BOTTOM OF DISHWASHER.**
- **TOTAL DRAIN HOSE LENGTH MUST NOT EXCEED 12 FEET FOR PROPER DRAIN OPERATION.**

Dishwasher Installation

STEP 8 CONNECT DRAIN LINE (CONT.)

- Connect drain line to air gap, waste tee or disposer using the previously determined method. Secure hose with a screw-type clamp.

Method 1 – Air gap with waste tee or disposer

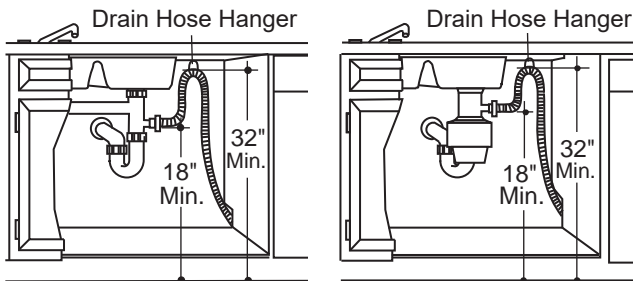


Waste Tee Installation

Disposer Installation

Method 2 – “High drain loop” with waste tee or disposer

Fasten drain hose to underside of countertop with a hanger.

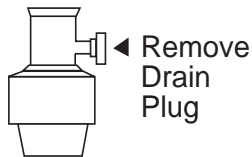


Waste Tee Installation

Disposer Installation

IMPORTANT – Either one of the above methods must be used or dishwasher will not operate properly.

IMPORTANT – When connecting drain line to disposer, check to be sure that drain plug has been removed. **DISHWASHER WILL NOT DRAIN IF PLUG IS LEFT IN PLACE.**



Tip: Avoid unnecessary service call charges for a no drain complaint.

Make sure excess drain hose has been pulled through the cabinet opening. This will prevent excess hose in the dishwasher cavity from becoming kinked or crushed by the dishwasher.

STEP 9 INSTALL MOUNTING BRACKETS

You will need the mounting brackets and 4 of the Phillips-Head screws set aside in the **PREPARATION** section.

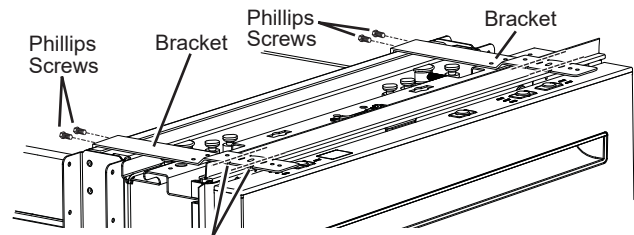
You must install the mounting brackets onto the dishwasher tub frame top **OR** sides prior to sliding the dishwasher into place under the countertop. The mounting brackets have several available attachment positions to accommodate different cabinet constructions.

TOP MOUNTING OPTION

Install mounting brackets on top if the underside of countertop is wood or wood-like material that accepts screws:

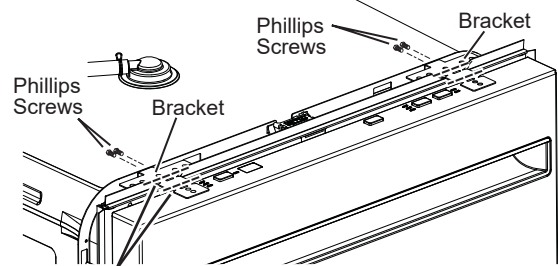
IMPORTANT - After installing brackets and before closing dishwasher door, adjust the brackets by bending them up as needed, so that they do not contact the top of dishwasher door and cause damage.

Top Mounting for 18” Models Only



Bend and break at cutout slots in brackets (if/as necessary) on both sides after installing if counter has a short overhang.

Top Mounting for 24” Models Only



Bend and break at cutout slots in brackets (if/as necessary) on both sides after installing if counter has a short overhang.

- If you are installing the dishwasher under a counter with a short overhang, the countertop brackets may extend beyond the edge of the counter. If this is the case, remove the excess length by repeatedly bending the brackets at the front notch only until they break.

Dishwasher Installation

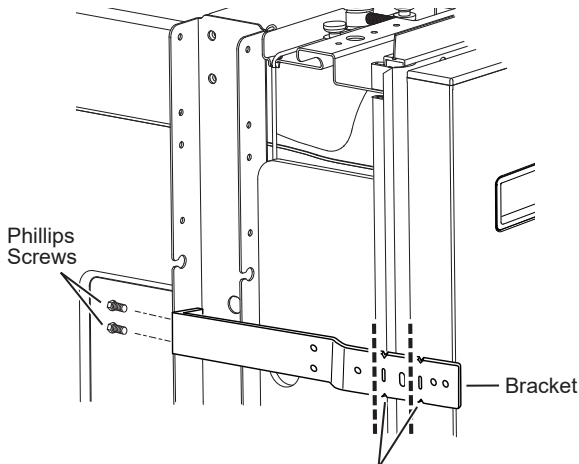
STEP 9 INSTALL MOUNTING BRACKETS (CONT.)

SIDE MOUNTING OPTION

Install mounting brackets on sides if the countertop is granite or similar material that will not accept wood screws:

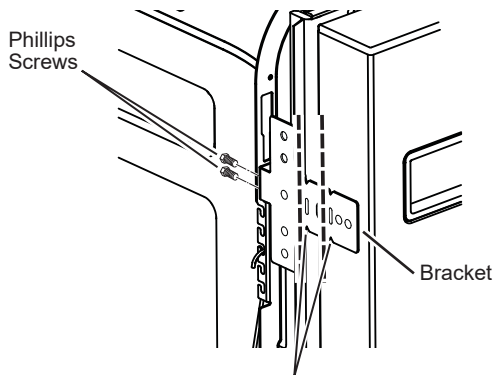
- Break off front portion of the tab with pliers at the location shown, prior to attaching to dishwasher.
- Position the left-hand side bracket as shown. Repeat with the right bracket.

Side Mounting for 18" Models Only



Bend and break at cutout slots in brackets (if/as necessary) on both sides before installing.

Side Mounting for 24" Models Only



Bend and break at cutout slots in brackets (if/as necessary) on both sides before installing.

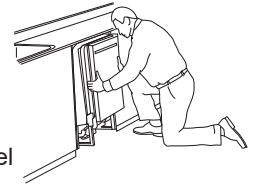
STEP 10 SLIDE DISHWASHER PARTIALLY INTO CABINET

IMPORTANT – Do not push against front panel with knees. Damage will occur.

- Grasp the sides of the front panel and slide dishwasher into the opening a few inches at a time.



Do not push against front door panel with knee. Damage to the door panel will occur.



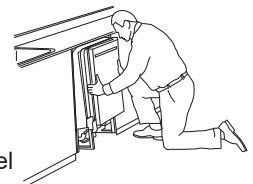
- As you proceed, pull the drain hose through the opening under the sink. Stop pushing when the dishwasher extends about 6 inches forward of adjacent cabinets.
- Make sure drain hose is not kinked under or behind the dishwasher.
- Make certain the house wiring, drain line and water line do not interfere with components under dishwasher.

STEP 11 POSITION DISHWASHER UNDER COUNTERTOP

- Push the dishwasher into the cabinet.
- Push the sides with your hands. Do not use your knee against the door since door damage will occur.



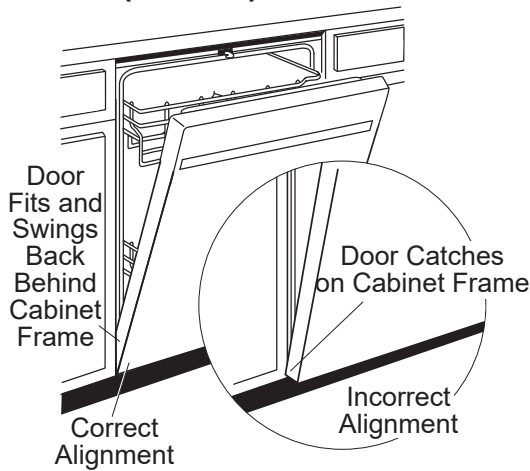
Do not push against front door panel with knee. Damage to the door panel will occur.



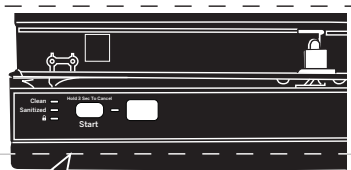
- Check that the tub insulation blanket does not get “bunched-up” or interfere with the springs as you slide it into the cabinet.
- Center the dishwasher in the opening.
- Front of door panel should be flush with face of cabinet.
- Carefully open and close the door to ensure that the door panel does not catch or rub on the cabinet frame.
- If the door catches or rubs on the frame, reposition and/or level the unit (see Step 14) until the door moves freely and does not contact the cabinet frame.

Dishwasher Installation

STEP 11 POSITION DISHWASHER UNDER COUNTERTOP (CONT.)



TOP VIEW



The controls on these models are designed to be hidden by your countertop. Align the dishwasher as shown in figure.

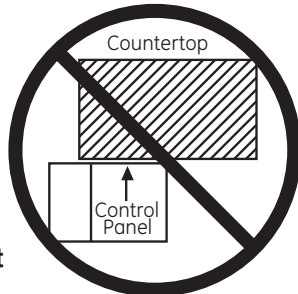
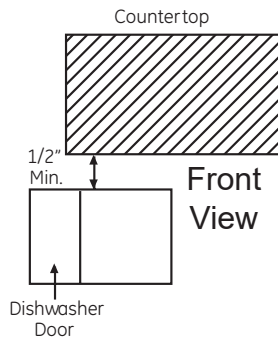
Leave a 1/2" minimum gap between the underside of the countertop and the top of the dishwasher door as shown in figure.

NOTE: If the drain hose gets trapped behind the unit it can prevent the controls from being hidden by the countertop.

Tip: The leveling legs can be used to increase or decrease the amount of gap between the controls and the countertop affecting the visibility of the controls.

IMPORTANT— Leave a 1/2" minimum gap between the controls and the underside of the countertop to prevent condensation and damage to the control panel from screwheads.

NOTE: If this dishwasher is replacing an existing dishwasher, the old countertop bracket screw holes may not be in the correct position to accept a top-control model. New holes may be required.



STEP 12 CONNECT WATER SUPPLY

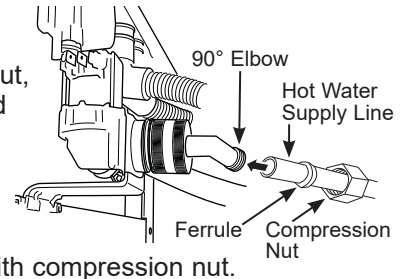
Connect water supply line to 90° elbow.

If using a flexible braided hose connection:

- Attach nut to 90° elbow using an adjustable wrench.

If using a copper tubing connection:

- Slide compression nut, then ferrule over end of water line.
- Insert water line into 90° elbow.
- Slide ferrule against 90° elbow and secure with compression nut.



STEP 13 CONNECT POWER SUPPLY

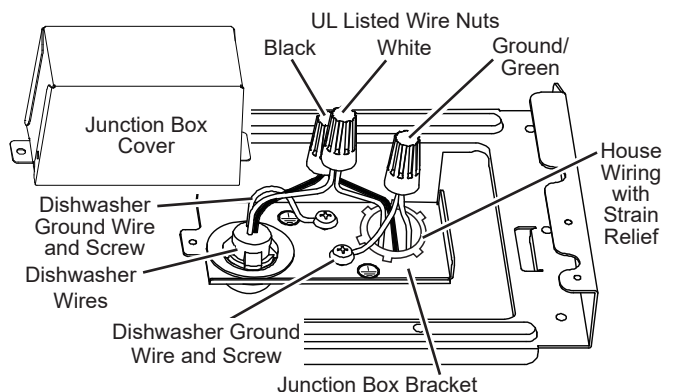
If a power cord with plug is already installed proceed to Step 14.

⚠ WARNING

If house wiring is not 2-wire with ground, a ground must be provided by the installer. When house wiring is aluminum, be sure to use UL-Listed anti-oxidant compound and aluminum-to-copper connectors.

- Remove junction box cover.
- Secure house wiring to the back of the junction box with a strain relief.
- Locate the 3 dishwasher wires, (white, black and green) with the stripped ends coming out of the AC jumper. Use UL listed wire nuts of appropriate size to connect incoming ground to green, white to white and black to black.
- Replace the junction box cover using the screw. Check to be sure that wires are not pinched under the cover.
- If using a Power Cord Kit, use GE Appliances part number **WX09X70910** or **WX09X70911** and refer to the included instructions.

NOTE: Do not remove the Junction Box Bracket.



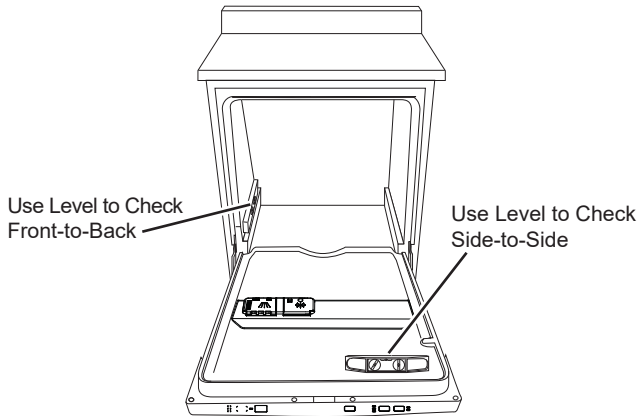
NOTE: All ground screws, brackets and wires must remain intact.

Dishwasher Installation

STEP 14 LEVEL DISHWASHER

IMPORTANT – Dishwasher must be level for proper dish rack operation, wash performance and door operation. The dishwasher must be leveled left to right and front to back.

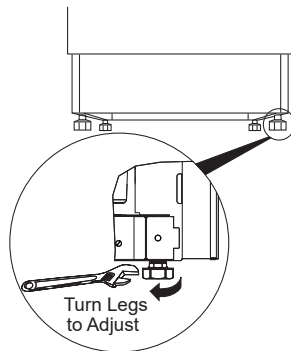
- Make sure 1/2" minimum gap under the countertop is maintained.
- Remove the lower dish rack and place a level on the door and lower rack track as shown in the figure.



- If the dishwasher is not level, adjust the four leveling legs individually.

Tip: Prevent unnecessary service charges. Verify dishwasher is leveled.

Pull the dish racks half way out. They should stay put. Open and close the door. The door should fit in the tub opening without hitting the side of the tub. If the racks roll on their own, or the door hits the side of tub, re-level the dishwasher.



IMPORTANT – After leveling, verify that the dishwasher is still in the correct position shown in Step 11.

STEP 15 SECURE DISHWASHER TO COUNTERTOP OR CABINET

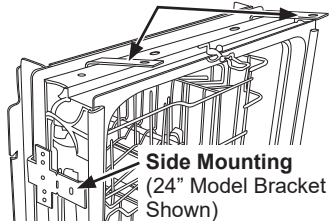
In this step you will need the 2 remaining Phillips Head screws from the screws set aside in the **PREPARATION** section.

The dishwasher must be secured to the countertop or the cabinet sides.

When the underside of the countertop is wood, use **Method 1 (Countertop Mounting)**.

Use **Method 2 (Side Mounting)** when the underside of the countertop is made of a material, such as granite, that will not accept wood screws.

Countertop Mounting
(18" Model Bracket Shown)



Side Mounting
(24" Model Bracket Shown)

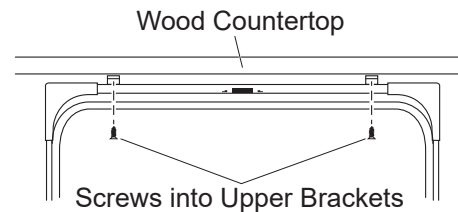
STEP 15 SECURE DISHWASHER TO COUNTERTOP OR CABINET (CONT.)

IMPORTANT – Prevent door panel and control panel damage. Dishwasher must be positioned so the front panel and control panel do not contact the adjacent cabinets or countertop. Mounting screws must be driven straight and flush. Protruding screw heads could scratch the door panel or control panel and interfere with door operation.

Method 1

Secure dishwasher to underside of wood countertop.

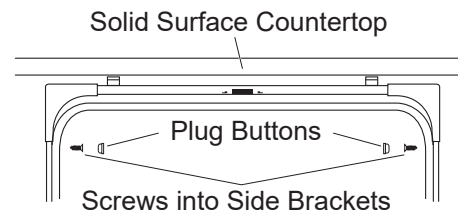
- Fasten the dishwasher to the underside of the countertop with the 2 Phillips head screws. Refer to figure. Make certain screws are driven straight and flush to prevent panel damage.



Method 2

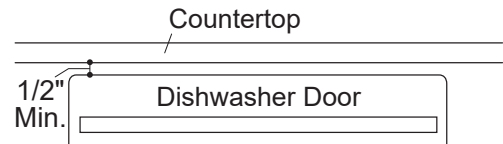
Secure dishwasher to cabinet sides.

- Remove plug buttons from tub. Do not discard.
- Fasten the dishwasher to the adjacent cabinets with the 2 Phillips-Head screws provided. Refer to the figure. Make certain screws are driven straight and flush to prevent panel damage. Do not screw into the cabinet face frame.
- Re-install plug buttons.



- Re-check that the dishwasher is square and level at both the top and bottom of the cabinet opening, with no twisting or distortion of the tub or door after mounting to the cabinets/countertop. Adjust if necessary.
- Confirm all leveling legs are in contact with the floor to prevent the dishwasher from rocking and ensure proper door and latch operation.

Both Methods



- When step is complete, close dishwasher door and verify that gap between countertop and top of dishwasher door is at least 1/2".

Dishwasher Installation

STEP 16 PRETEST CHECKLIST

Review this list after installing your dishwasher to avoid charges for a service call that is not covered by your Warranty.

- Check to be sure power is OFF.
- Open door and remove all foam and paper packaging.
- Locate the Owner's Manual.
- Read the Owner's Manual for operating instructions.
- Check door opening and closing. If door does not open and close freely, check for proper spring adjustments. If door drops or closes when released, adjust spring tension. See Step 1.
- Check to be sure that wiring is secure under the dishwasher, not pinched or in contact with door springs or other components. See Step 13.
- Check door alignment with tub. If door hits tub, level dishwasher. See Step 14.
- Check door alignment with cabinet. If door hits cabinet, reposition dishwasher. See Step 11.
- Check that door spring does not contact water line, fill hose, wiring or other components. See Steps 10 and 11.
- Verify water supply and drain lines are not kinked or in contact with other components. Contact with motor or dishwasher frame could cause noise. See Steps 10 and 11.
- Turn on the sink hot water faucet and verify water temperature. Incoming water temperature must be between 120°F and 140°F. A minimum of 120°F temperature is required for best wash performance. See "PREPARE HOT WATER LINE".
- Add 2 quarts of water to the bottom of the dishwasher to lubricate the pump seal.
- Turn on water supply. Check for leaks. Tighten connections if needed.
- Remove protective film if present from the control panel and door.
- Avoid service call charges by ensuring there is an air gap or drain hose routed through the required 32" minimum height. See Step 8.

STEP 17 CHECK THE FOLLOWING

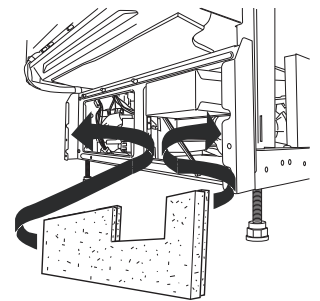
- Dishwasher is square and level at both the top and bottom of the cabinet opening, with no twisting or distortion of the tub or door.
- All 4 legs of the dishwasher are firmly in contact with the floor.
- Drain hose is not pinched between the dishwasher and adjacent cabinets or walls.

STEP 18 DISHWASHER WET TEST

- Turn on power supply or plug power cord into outlet, if equipped.
- Select a cycle to run and push the **Start** button.
- Close dishwasher door. Dishwasher should start.
- Check to be sure that water enters the dishwasher. If water does not enter the dishwasher, check to be sure that water and power are turned on.
- Check for leaks under the dishwasher. If a leak is found, turn off power at the breaker, and then tighten water connections. Restore power after leak is corrected.
- Check for leaks around the door. A leak around the door could be caused by door rubbing or hitting against adjacent cabinets. Reposition the dishwasher if necessary. See Step 11.
- Open dishwasher door. Press and hold the **Start** pad, until the light next to the pad turns off, to cancel the cycle. Close dishwasher door. The unit will begin to drain. Check drain lines. If leaks are found, turn off power at the breaker and correct plumbing as necessary. Restore power after corrections are made. See Steps 7 and 8.
- Open dishwasher door and make sure all of the water has drained. If not, check that disposer plug has been removed and/or air gap is not plugged. Also check drain hose to be sure it is not kinked underneath or behind dishwasher. See Step 8.
- Press **Start** button once again and run dishwasher through another cycle. Check for leaks and correct if required.
- Repeat these steps as necessary.

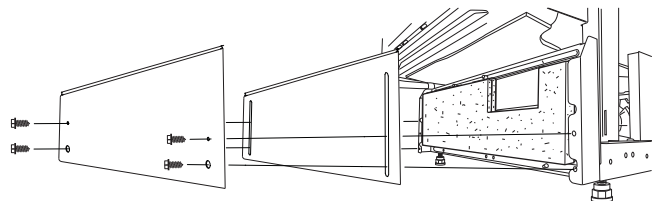
STEP 19 REPLACE TOEKICK

- Install toekick insulation (18" models only) by placing ends of insulation in left and right brackets. Insulation should be installed up under tub.
- Place the inner toekick piece (with slots) against the toekick bracket. The slots should align with toekick.



Tip: Reduce sound from under the dishwasher. Make sure toekick is against floor.

- Place larger toekick over the inner piece and install 4 toekick screws.
- Use both toekick pieces for all installation heights.





GE APPLIANCES

Directives d'installation

Lave-vaisselle encastré

Pour toute question, composez le 800.561.3344 ou visitez notre site web: www.electromenagersge.ca

AVANT DE COMMENCER

Veillez lire attentivement toutes les directives qui suivent.

▲ AVERTISSEMENT

- Avant de commencer l'installation, coupez toute alimentation menant de l'appareil au disjoncteur ou au fusible. Dans le cas contraire, vous pourriez être victime d'une décharge électrique.
- Pour réduire les risques de choc électrique, d'incendie ou de blessures, l'installateur doit s'assurer que le lave-vaisselle est complètement encastré au moment de l'installation.
- Un branchement inadéquat du conducteur de mise à la terre peut présenter des risques de choc électrique. Si vous n'êtes pas certain que l'appareil est correctement mis à la terre, consultez un réparateur ou un électricien qualifié. Si le câblage électrique de la résidence n'est pas constitué de deux fils plus un fil de mise à la terre, l'installateur doit installer un fil de mise à la terre. Si le câblage électrique de la résidence est en aluminium, utilisez un agent antioxydant et des connecteurs pour raccords «aluminium-cuivre» homologués UL.
- Pour réduire les risques de choc électrique, d'incendie ou de blessures, l'installateur doit vérifier pour s'assurer que les fils ne sont pas pliés ou en dommages, que le câblage domestique est fixé au support de boîte de connexion par l'entremise d'un serre-câble et que toutes les connexions électriques faites au moment de l'installation (capuchons de connexion) se trouvent à l'intérieur du couvercle de la boîte de connexion.
- N'utilisez pas une rallonge électrique ou un adaptateur de fiche avec cet appareil.

- Laissez le Manuel d'utilisation, les directives d'installation, les échantillons et(ou) les bons au consommateur.

NOTE: Chez GE Appliances, nous nous efforçons continuellement d'améliorer les produits. Par conséquent, les matériaux, l'aspect et les caractéristiques sont assujettis à des changements sans préavis.

POUR VOTRE SÉCURITÉ

Veillez lire et observer toutes les mises en garde **AVERTISSEMENT** et **ATTENTION** données dans les présentes directives.

Pour effectuer l'installation décrite dans les présentes directives, il faut porter des gants ou des lunettes de sécurité.

IMPORTANT – Observez tous les codes et ordonnances en vigueur.

- **Note à l'installateur** – Veillez laisser les présentes directives au consommateur pour l'inspecteur local.

- **Note au consommateur** – Veillez conserver les présentes directives avec votre Manuel d'utilisation pour consultation ultérieure.

- **Compétences requises** – L'installation de ce lave-vaisselle exige des compétences de base en mécanique, en électricité et en plomberie.

L'installateur est responsable de la qualité de l'installation. Toute défaillance du produit attribuable à une installation inadéquate n'est pas couverte par la Garantie de GE Appliances. Reportez-vous à la Garantie du produit.

- **Durée de l'installation – Entre 1 et 3 heures.**

L'installation d'un nouveau lave-vaisselle exige plus de temps que le remplacement d'un ancien modèle.

IMPORTANT – Le lave-vaisselle **DOIT** être installé de manière à ce qu'il puisse être sorti de son emplacement si des réparations sont nécessaires.

Il importe d'user de prudence lorsque l'appareil est installé ou déplacé afin de prévenir l'endommagement du cordon d'alimentation.

Si le lave-vaisselle que vous avez reçu est endommagé, communiquez immédiatement avec votre détaillant ou l'entrepreneur en construction.

Accessoires facultatifs – Reportez-vous au Manuel d'utilisation pour connaître les ensembles pour panneau décoratif personnalisés offerts.

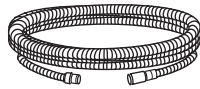
Votre lave-vaisselle est un appareil qui chauffe l'eau.

**VEUILLEZ LIRE ATTENTIVEMENT
CONSERVER CES DIRECTIVES**

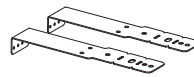
Préparation pour l'installation

PIÈCES FOURNIES DANS L'EMBALLAGE:

- L'extension du boyau de vidange
- Collier à vis sans fin
- 2 Supports de montage pour comptoir en bois ou armoires latérales (**REMARQUE** : Utilisez les supports appropriés pour la largeur de votre modèle, comme illustré.)
- Isolant de plinthe (18 po modèles seulement)
- 6 Vis à tête Phillips pour fixer le lave-vaisselle au dessous du comptoir ou armoires latérales
- Documentation, échantillons et(ou) bons

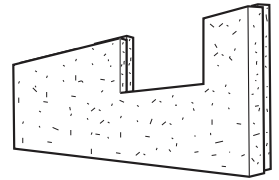


L'extension du boyau de vidange

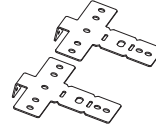


Supports de montage (18 po modèles seulement)

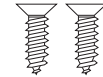
Isolant de plinthe (18 po modèles seulement)



Collier à vis sans fin



Supports de montage (24 po modèles seulement)



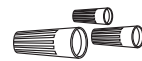
Vis à tête Phillips



Documentation

MATÉRIAUX NÉCESSAIRES:

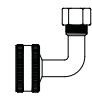
- Connecteurs vissables homologués UL (3)
- Ruban pour joints filetés
- Coude de 90° (19,1 mm [3/4 po] filet pour tuyau d'arrosage de jardin à une extrémité et l'autre extrémité conçue pour le raccordement à la conduite d'alimentation en eau)



Connecteurs vissables (3)



Ruban pour joints filetés



Coude de 90°

Pour une nouvelle installation:

- Coupure anti-refoulement pour le boyau de vidange, si nécessaire
- Raccord en T pour la plomberie de la résidence, s'il y a lieu
- Câble électrique ou Trousse de cordon d'alimentation **WX09X70910** (5,4 pi) ou **WX09X70911** (7,9 pi) en fonction de votre installation.
- Collier(s) à vis sans fin
- Bague anti-traction pour le raccordement électrique
- Robinet d'arrêt (recommandé)
- Conduite d'eau chaude – 9,5 mm (3/8 po) minimum, tuyau en cuivre (incluant la bague et l'écrou à compression) ou la pièce **WX28X326** de GE Appliances, boyau métallique flexible.



Coupure anti-refoulement



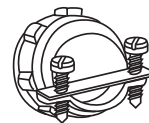
Raccord en T



Câble électrique (ou cordon d'alimentation, s'il y a lieu)



Collier(s) à vis sans fin



Bague anti-traction



Robinet d'arrêt



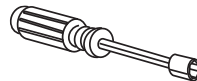
Conduite d'eau chaude, la bague et l'écrou à compression

OUTILS NÉCESSAIRES:

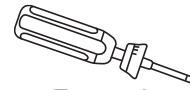
- Tournevis cruciforme
- Tournevis à douille de 5/16 po et 1/4 po
- Tournevis dynamométrique T25
- Clé à molette de 15 cm (6 po)
- Gants
- Lunettes de sécurité
- Lampe de poche
- Seau pour attraper l'eau lors de la purge du tuyau
- Niveau
- Ruban à mesurer
- Équerre de menuisier



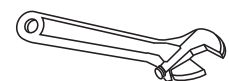
Tournevis cruciforme



Tournevis à douille de 5/16 po et 1/4 po



Tournevis dynamométrique T25



Clé à molette de 15 cm (6 po)



Gants



Lunettes de sécurité



Lampe de poche



Seau



Niveau



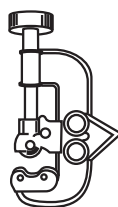
Ruban à mesurer



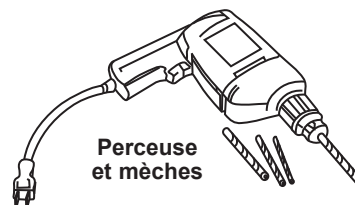
Équerre de menuisier

Pour une nouvelle installation:

- Coupe-tube
- Perceuse et mèches appropriées
- Jeu de scie-cloche



Coupe-tube



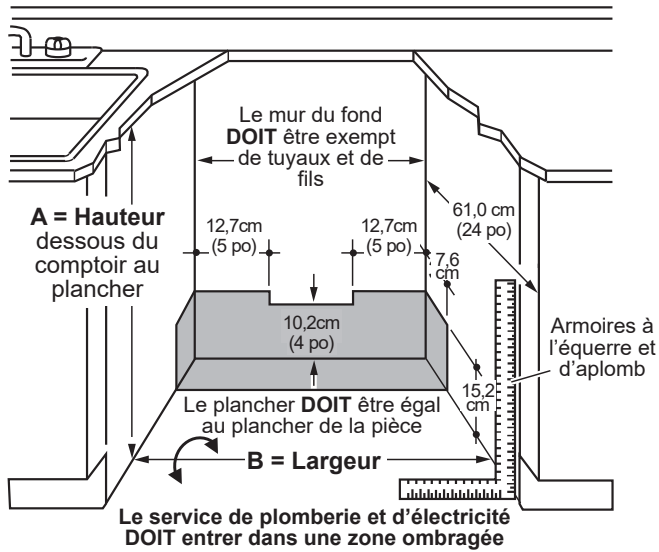
Perceuse et mèches



Scie-cloche

Préparation pour l'installation

PRÉPARATION DE L'OUVERTURE DANS LES ARMOIRES



	A	B
45,7cm (18po) Modèles seulement	82,6cm (32-1/2po) min.- 88,3cm (34-3/4po) max.	45,7cm (18po)
61cm (24po) Modèles seulement	82,2cm (32-3/8po) min.- 88,3cm (34-3/4po) max.	61cm (24po)

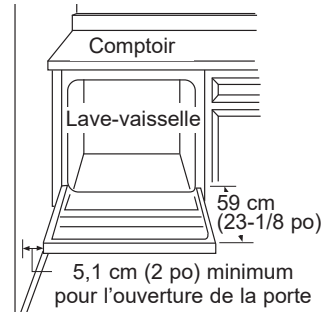
⚠ AVERTISSEMENT

Pour réduire les risques de choc électrique, d'incendie ou de blessures, l'installateur doit s'assurer que le lave-vaisselle est complètement encastré au moment de l'installation.

- Le lave-vaisselle doit être installé de façon à ce que le boyau de vidange mesure au maximum 3.66 mètres (12 pieds) pour assurer une vidange adéquate.
- Le dessus, les côtés et l'arrière du lave-vaisselle doivent être complètement dissimulés à l'intérieur de l'ouverture. Le lave-vaisselle ne doit soutenir aucune partie de la structure des armoires.

DÉGAGEMENTS:

- Dans le cas d'une installation dans un coin, veuillez prévoir un dégagement d'au moins 5,1 cm (2 po) entre le lave-vaisselle et les armoires, le mur ou un électroménager adjacent. Veuillez prévoir un dégagement d'au moins 59 cm (23-1/8 po) à l'avant du lave-vaisselle pour l'ouverture de la porte.



EXIGENCES RELATIVES AU SYSTÈME DE VIDANGE

- Veuillez observer les ordonnances et les codes locaux en vigueur.
- Le boyau de vidange doit avoir une longueur maximale de 3.66 mètres (12 pieds).
- Le boyau de vidange ne doit pas être raccordé à une hauteur dépassant 1,8 m (72 po) au-dessus du bas du lave-vaisselle.

REMARQUE: Il faut installer une coupure anti-refoulement si le raccord au broyeur à déchets ou au raccord en T se trouve à moins de 46 cm (18 po) au-dessus du plancher afin d'éviter un siphonage.

CHOIX DE LA MÉTHODE DE VIDANGE

Le type d'installation de vidange dépend des conditions suivantes.

- Les ordonnances ou codes locaux en vigueur exigent-ils une coupure anti-refoulement?
 - Le raccord T se trouve-t-il à moins de 46cm (18po) du plancher?
- Si vous répondez OUI à l'une ou l'autre de ces questions, vous DEVEZ utiliser la méthode n° 1.**
- Si vous répondez NON, vous pouvez employer l'une ou l'autre des méthodes.

PRÉPARATION DES ARMOIRES

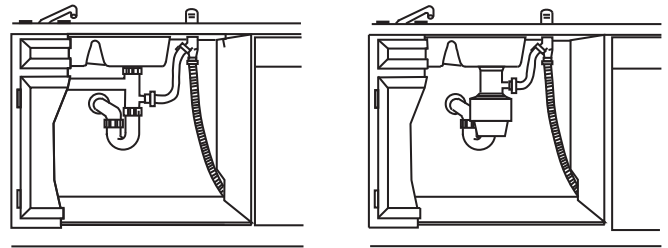
- Percez un trou de 3,8 cm (1-1/2 po) de diamètre dans la paroi de l'armoire qui se trouve dans la partie ombrée de la **PRÉPARATION DE L'OUVERTURE DANS LES ARMOIRES** pour le boyau de vidange. Assurez-vous que l'orifice ne présente pas d'arêtes vives.

IMPORTANT – Lorsque vous branchez le boyau de vidange à un broyeur à déchets, assurez-vous d'enlever le bouchon de vidange. **LE LAVE-VAISSELLE NE POURRA PAS SE VIDER SI VOUS LAISSEZ LE BOUCHON EN PLACE.**

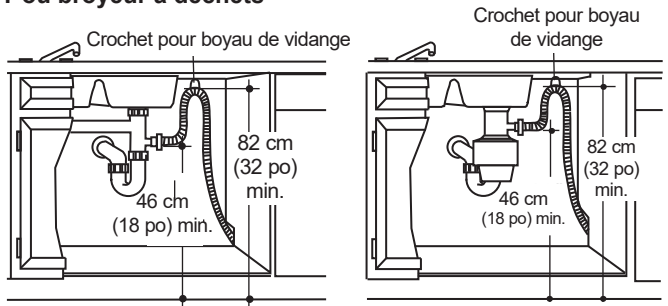


Méthode n° 1 – Coupure anti-refoulement avec raccord en T ou broyeur à déchets

Il faut installer une coupure anti-refoulement lorsqu'elle est exigée par les ordonnances et les codes locaux en vigueur. Cette coupure anti-refoulement doit être installée conformément aux directives données par le fabricant.



Méthode n° 2 – Boucle de vidange élevée avec raccord en T ou broyeur à déchets



Conseil: Pour éviter des frais de réparation inutiles. Assurez-vous d'enlever le bouchon de vidange du broyeur à déchets avant d'y brancher le boyau de vidange du lave-vaisselle.

Préparation pour l'installation

PRÉPARATION DU CÂBLAGE ÉLECTRIQUE

⚠ AVERTISSEMENT

Avant de commencer l'installation, coupez toute alimentation menant de l'appareil au disjoncteur ou au fusible. Dans le cas contraire, vous pourriez être victime d'une décharge électrique.

Alimentation électrique

- Cet appareil doit être alimenté par un courant de 120 V et 60 Hz, et branché à un circuit individuel correctement mis à la terre et protégé par un disjoncteur de 15 ou 20 ampères ou un fusible temporisé.
- Le câble électrique doit posséder deux fils, plus un fil de mise à la terre, et résister à une température nominale de 75°C (167°F).
- Si votre alimentation électrique ne répond pas à ces exigences, appelez un électricien agréé avant de poursuivre l'installation.

Mise à la terre – Branchement permanent

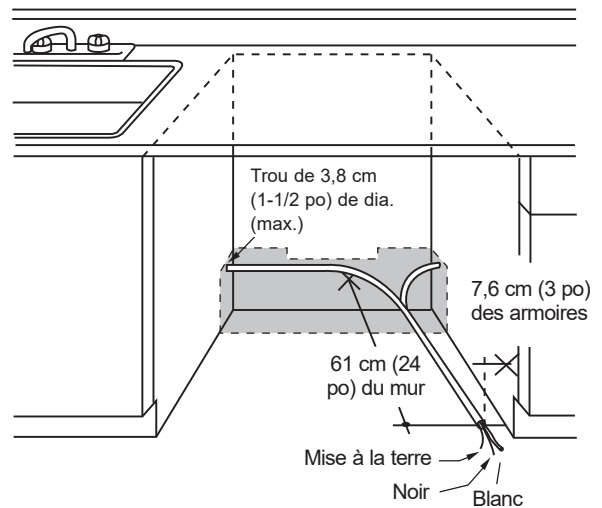
Cet appareil doit être branché à un réseau électrique permanent mis à la terre. Sinon, il faut installer un conducteur de mise à la terre avec les conducteurs du circuit et le brancher à la borne de mise à la terre du réseau ou au fil de mise à la terre de l'appareil.

Mise à la terre – Modèles dotés d'un cordon d'alimentation

Cet appareil doit être mis à la terre. En cas de mauvais fonctionnement ou de défaillance, la mise à la terre réduira les risques de choc électrique en fournissant au courant électrique un circuit de moindre résistance. Cet appareil est doté d'un cordon d'alimentation possédant un conducteur de mise à la terre et une fiche de mise à la terre. La fiche doit être branchée dans une mise appropriée, installée et mise à la terre en conformité avec tous les codes locaux et ordonnances en vigueur.

⚠ AVERTISSEMENT

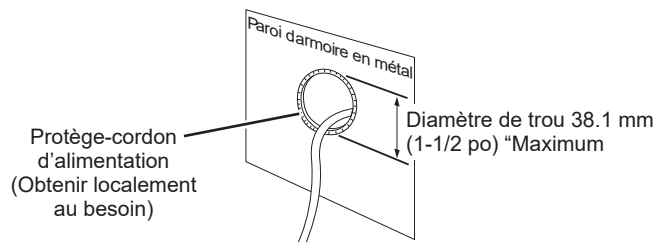
Un branchement inadéquat du conducteur de mise à la terre peut présenter des risques de choc électrique. Si vous n'êtes pas certain que l'appareil est correctement mis à la terre, consultez un réparateur ou un électricien qualifié. Ne modifiez pas la fiche fournie avec l'appareil; si vous ne pouvez pas la brancher dans la prise de courant, faites installer une prise de courant appropriée par un technicien qualifié.



Préparation des armoires et cheminement des fils

- Les fils peuvent entrer dans l'ouverture du côté droit, du côté gauche, de l'arrière ou du plancher dans la partie ombrée de la figure et de la section **PRÉPARATION DE L'OUVERTURE DANS LES ARMOIRES**.
- Percez un trou de 3,8 cm (1-1/2 po) de diamètre au maximum pour le passage du câble électrique. Le bord du trou doit être lisse et arrondi. Les fils électriques pour le branchement permanent peuvent passer par le même trou que le boyau de vidange et la conduite d'eau chaude, si c'est plus pratique. Si le trou est pratiqué dans une paroi en métal, les bords de l'orifice doivent être recouverts d'un passe-fils pour protéger les fils.

REMARQUE: Le cordon d'alimentation doté d'une fiche doit passer par un autre trou dans l'armoire.



Branchement électrique du lave-vaisselle

Le branchement électrique s'effectue du côté avant droit du lave-vaisselle.

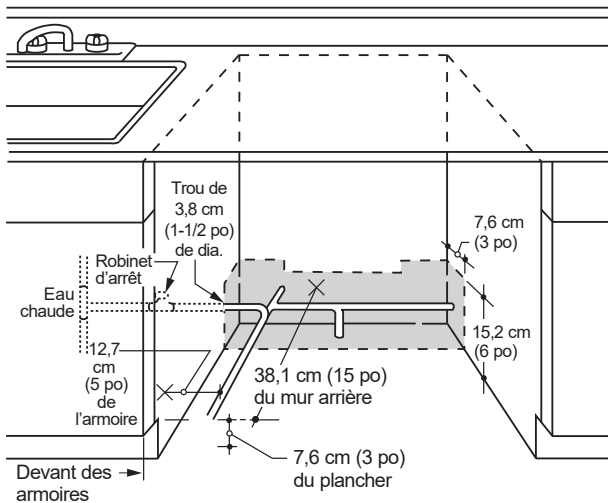
- Dans le cas d'un branchement permanent, le câble doit être acheminé de la façon indiquée à la figure. Le câble doit avoir une longueur minimale de 61 cm (24 po) à partir du mur arrière.
- Dans le cas d'un branchement avec un cordon d'alimentation, installez une prise de courant mise à la terre à trois broches sur la paroi de l'armoire adjacente, entre 15 cm (6 po) et 46 cm (18 po) de l'ouverture, et entre 15 cm (6 po) et 46 cm (18 po) du plancher.
- Utilisez uniquement **WX09X70910** (5,4 pi) ou **WX09X70911** (7,9 pi) Trousse de cordon d'alimentation pour lave-vaisselle. N'utilisez pas une rallonge électrique ou un adaptateur de fiche avec cet appareil.

Préparation pour l'installation

PRÉPARATION DE L'ALIMENTATION EN EAU CHAUDE

REMARQUE : GE Appliances recommande l'utilisation d'un tuyau en cuivre pour la conduite d'alimentation en eau, mais vous pouvez choisir un boyau flexible tressé no **WX28X326** de GE Appliances.

- La conduite d'alimentation en eau (tuyau de cuivre de 9,5 mm [3/8 po] ou boyau flexible tressé) peut entrer du côté gauche, du côté droit, de l'arrière ou du plancher dans la partie ombrée indiquée dans la figure.
- La conduite d'alimentation en eau doit passer dans le même trou que le câble électrique et le boyau de vidange. Ou vous pouvez percer un trou supplémentaire de 3,8 cm (1-1/2 po) de diamètre pour le passage de la conduite d'eau. Si l'appareil est doté d'un cordon d'alimentation pourvu d'une fiche, la conduite d'eau chaude ne doit pas passer par le même trou que le cordon d'alimentation.



RACCORDEMENT DE LA CONDUITE D'EAU CHAUDE

- Si vous utilisez un boyau flexible tressé, étiquetez le boyau et indiquez la date d'installation à des fins de référence. Les boyaux flexibles, coudés et joints tressés doivent être remplacés dans 5 ans.
- Coupez l'alimentation en eau.
- Installez un robinet d'arrêt à un endroit accessible, par exemple sous l'évier. (Cette installation est facultative, mais fortement recommandée, et peut même être exigée par les codes locaux en vigueur.)
- Le raccordement de la conduite d'eau s'effectue du côté gauche du lave-vaisselle. Installez la conduite d'eau chaude en utilisant un tuyau en cuivre de 9,5 mm (3/8 po) ou plus ou boyau flexible tressé. Acheminez la conduite d'eau de la façon indiquée dans la section **PRÉPARATION DE L'ALIMENTATION EN EAU CHAUDE** et amenez-la vers l'avant à au moins 48,2 cm (19 po) du mur arrière.
- Réglez le chauffe-eau à une température variant entre 49 °C (120 °F) et 65 °C (140 °F).
- Rincez la conduite d'eau pour éliminer tous les débris. Recueillez l'eau et les débris à l'aide d'un seau.
- La pression de la conduite d'alimentation en eau chaude doit varier entre 1,4 bar (20 lb/po²) et 8,3 bars (120 lb/po²).

PRÉPARATION

Prenez les pièces fournies dans l'emballage et mettez-les de côté:

- Ensemble de vis
- L'extension du boyau de vidange
- Supports de montage
- Documentation, échantillons et(ou) bons

Tournez la page pour commencer l'installation du lave-vaisselle.

Installation du lave-vaisselle

ÉTAPE 1 VÉRIFICATION DE L'ÉQUILIBRE DE LA PORTE

ATTENTION

Ouvrir la porte causera le basculement du lave-vaisselle vers l'avant si son installation n'est pas complètement terminée. Pour ouvrir la porte avant la finalisation de l'installation, agrippez le haut du lave-vaisselle fermement avec une main et tenir la porte de l'autre main. Le port de gants est nécessaire.

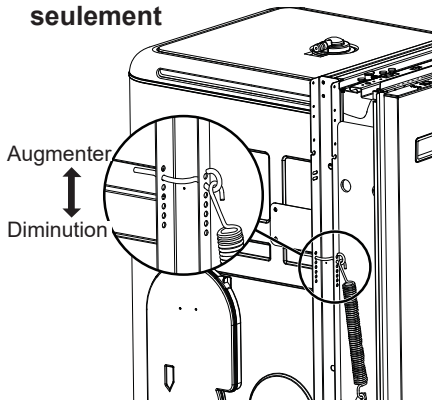


Pour vérifier l'équilibre de la porte, fermement maintenir le haut du lave-vaisselle.

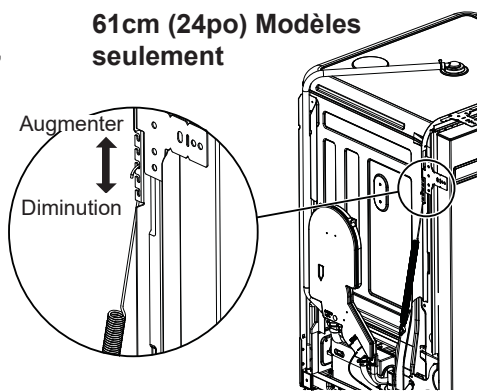
- Vérifiez l'équilibre de la porte en l'ouvrant et en la fermant.

- Si la porte tombe quand elle est relâchée, augmenter la tension du ressort. Si la porte monte quand elle est relâchée, diminuer la tension du ressort.

45,7cm (18po) Modèles seulement



61cm (24po) Modèles seulement



ÉTAPE 2 AJUSTER LES PIEDS DE NIVELLEMENT

- Amenez le lave-vaisselle à proximité de son emplacement définitif et couchez-le sur le dos. **REMARQUE** : Ne placez pas le lave-vaisselle sur un de ses côtés.
- Mesurer la hauteur d'installation et celle du lave-vaisselle. Étendre les pieds de mise à niveau de la base jusqu'à 12 mm (1/2 po) de la hauteur d'installation.

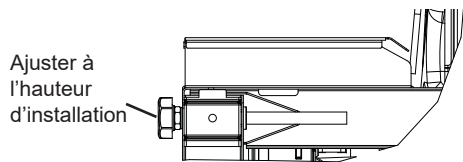
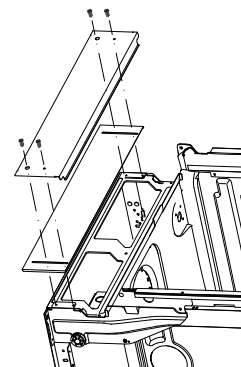


Illustration du pied de nivellement avec lave-vaisselle reposant sur sa face arrière

ÉTAPE 3 ENLÈVEMENT DU PANNEAU INFÉRIEUR

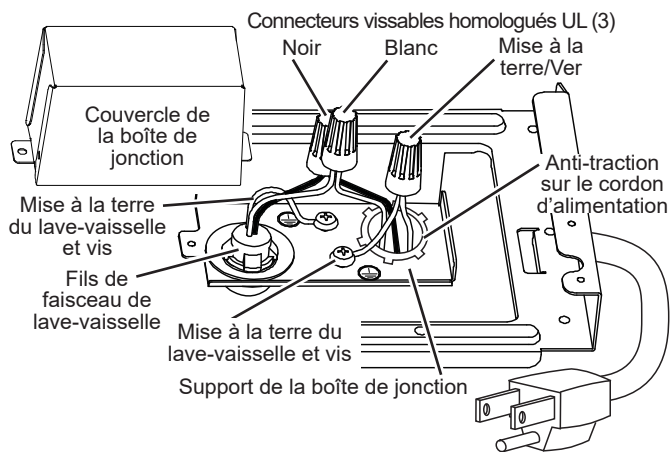
- Enlevez les deux vis du panneau inférieur, ainsi que le panneau inférieur 2 pièces. Mettez-les de côté pour les réutiliser à l'étape 19.



ÉTAPE 4 INSTALLATION DU CORDON D'ALIMENTATION

Sautez cette étape si le lave-vaisselle est branché de façon permanente au circuit électrique de la résidence ou s'il est doté d'un cordon d'alimentation installé à l'usine.

- Le cordon d'alimentation et les raccordements doivent être conformes aux exigences de la section 422 du National Electrical Code des É.-U. et/ou aux ordonnances et aux codes locaux en vigueur. Le cordon d'alimentation doit avoir une longueur maximale de 1,8 m (6 pi). Le cordon d'alimentation n° **WX09X70910** ou **WX09X70911**, que vous pouvez vous procurer auprès d'un détaillant autorisé d'électroménagers GE Appliances, répond à cette exigence.

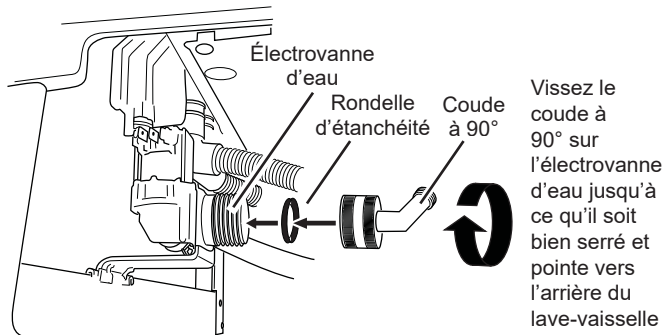


- Retirer le couvercle de la boîte de jonction.
- Installez la bague anti-traction sur le support de la boîte de jonction.
- Faites passer le cordon d'alimentation dans la bague anti-traction, puis serrez la bague.
- Assurez-vous que les fils noir, blanc et vert du lave-vaisselle ont été passés dans le petit trou du support de la boîte de jonction.
- Raccordez le fil blanc (ou nervuré) du cordon d'alimentation au fil blanc du lave-vaisselle, le fil noir (ou lisse) au fil noir du lave-vaisselle, et le fil de mise à la terre au fil vert du lave-vaisselle. Utilisez des connecteurs vissables homologués UL de la grosseur appropriée.
- Remplacez le couvercle de la boîte de jonction à l'aide de la vis. Assurez-vous que les fils ne sont pas coincés sous le couvercle.

Installation du lave-vaisselle

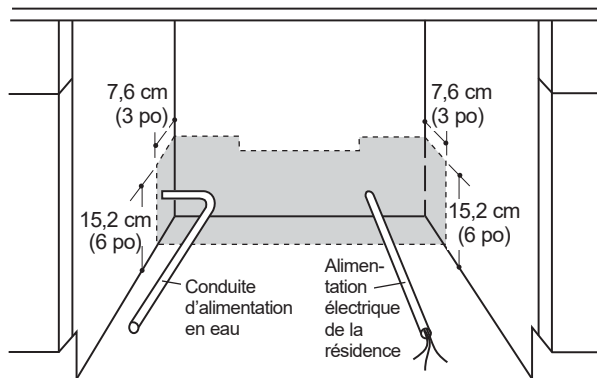
ÉTAPE 5 INSTALLATION DU COUDE DE 90°

- Assurez-vous que le joint d'étanchéité en caoutchouc se situe entre l'électrovanne et le coude.
- Vissez le coude de 90° dans l'électrovanne.
- Ne serrez pas le coude de façon excessive; le support de l'électrovanne pourrait se déformer ou le raccord de l'électrovanne pourrait se casser.
- Tournez l'extrémité du coude pour qu'il pointe vers l'arrière du lave-vaisselle.



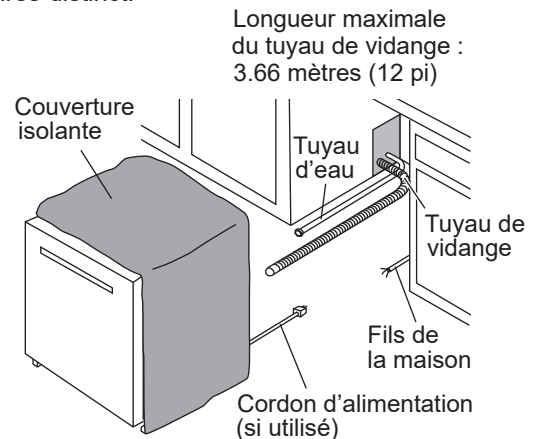
ÉTAPE 6 POSITIONNEMENT DE LA CONDUITE D'EAU ET DE L'ALIMENTATION ÉLECTRIQUE

- Positionnez la conduite d'alimentation en eau et le câblage de la résidence sur le plancher de l'ouverture afin qu'ils n'entrent pas en contact avec la base du lave-vaisselle et les pièces sous l'appareil.



ÉTAPE 7 INSERTION DU BOYAU DE VIDANGE DANS L'ORIFICE DE L'ARMOIRE

- Placez le lave-vaisselle en position droite devant l'ouverture de l'armoire. Insérez le boyau de vidange dans l'orifice que vous avez précédemment percé dans la paroi des armoires. Si l'appareil est doté d'un cordon d'alimentation, faites passer l'extrémité du cordon dans un l'ouverture dans les armoires distinct.



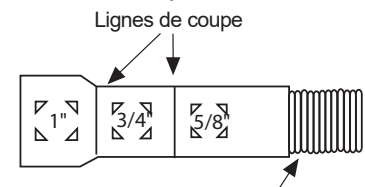
Conseil: Pour éviter des frais de réparation inutiles pour des problèmes de remplissage, de vidange ou de bruit.

Placez la conduite d'eau et le câble électrique de manière à ce qu'ils n'entrent pas en contact avec quoi que ce soit à l'arrière ou en dessous du lave-vaisselle.

ÉTAPE 8 RACCORDEMENT DU BOYAU DE VIDANGE

L'extrémité moulée du boyau de vidange est conçue pour s'installer sur l'orifice d'entrée d'un diamètre variant entre 15,8 mm (5/8 po) et 25,4 mm (1 po) de la coupure anti-refoulement, du raccord en T ou du broyeur à déchets.

- Mesurez le diamètre de l'orifice d'entrée.
- Coupez le raccord du boyau de vidange à l'endroit indiqué, au besoin, pour qu'il soit bien adapté à l'orifice d'entrée.



IMPORTANT: NE coupez pas la partie ondulée du boyau

- Utilisez la rallonge du boyau de vidange fournie et raccordez-la directement sur la boucle de vidange déjà fixée à l'appareil. Fixez le raccordement au boyau fourni à l'aide de colliers de serrage.



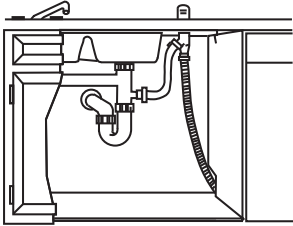
- **LE BOYAU DE VIDANGE NE DOIT PAS ÊTRE RACCORDÉ À UNE HAUTEUR DÉPASSANT 1,8 m (72 po) AU-DESSUS DU BAS DU LAVE-VAISSELLE.**
- **POUR UNE VIDANGE ADÉQUATE DE L'APPAREIL, LA LONGUEUR TOTALE DU BOYAU DE VIDANGE NE DOIT PAS DÉPASSER 3,66 MÈTRES (12 PIEDS).**

Installation du lave-vaisselle

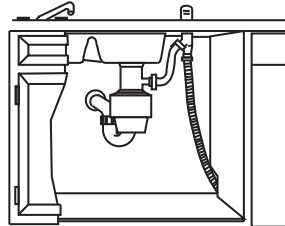
ÉTAPE 8 RACCORDEMENT DU BOYAU DE VIDANGE (SUITE)

- Branchez le boyau de vidange à la coupure anti-refoulement, au raccord en T ou au broyeur à déchets à l'aide de la méthode choisie précédemment. Fixez solidement le boyau à l'aide d'un collier à vis sans fin.

Méthode n° 1 – Coupure anti-refoulement avec raccord en T ou broyeur à déchets



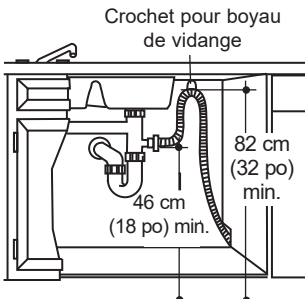
Installation avec raccord en T



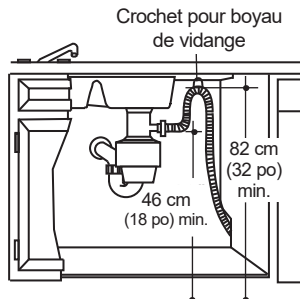
Installation avec broyeur à déchets

Méthode n° 2 – Boucle de vidange élevée avec raccord en T ou broyeur à déchets

Fixez le boyau de vidange au-dessous du comptoir à l'aide d'un crochet.



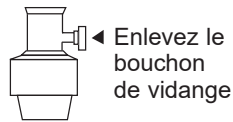
Installation avec raccord en T



Installation avec broyeur à déchets

IMPORTANT – Il faut utiliser l'une des deux méthodes précédentes pour assurer le fonctionnement correct du lave-vaisselle.

IMPORTANT – Lorsque vous raccordez le boyau de vidange à un broyeur à déchets, assurez-vous d'enlever le bouchon de vidange. LE LAVE-VAISSELLE NE SE VIDERA PAS SI LE BOUCHON EST LAISSÉ EN PLACE.



Enlevez le bouchon de vidange

Conseil: Pour éviter les frais de réparation inutiles pour un problème de vidange.

Tirez sur le boyau de vidange par l'ouverture pratiquée dans les armoires afin d'empêcher le lave-vaisselle d'écraser ou de plier une longueur excessive de boyau.

ÉTAPE 9 INSTALLATION DES SUPPORTS DE MONTAGE

Vous aurez besoin des supports de montage et de quatre (4) des vis à tête étoilée mises de côté dans la section **PRÉPARATION**.

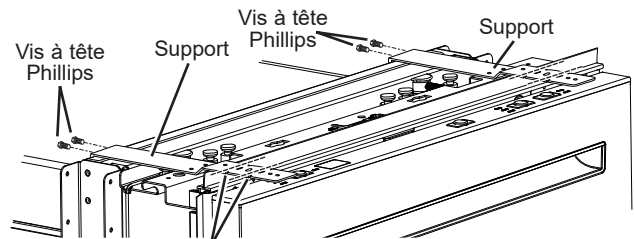
Vous devez installer les supports de montage sur le dessus OU les côtés du cadre de la cuve du lave-vaisselle avant de glisser le lave-vaisselle en place sous le comptoir. Les supports de montage sont dotés de plusieurs positions de fixation pour convenir à différentes configurations d'armoires.

OPTION DU MONTAGE SUR LE DESSUS

Installez les supports de montage sur le dessus si le dessous du comptoir est en bois ou dans un matériau similaire qui accepte les vis :

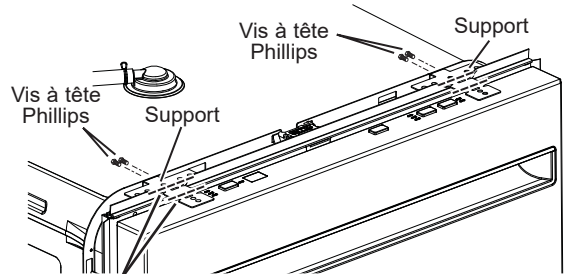
IMPORTANT - Après l'installation des supports et avant la fermeture de la porte du lave-vaisselle, ajustez les supports en les courbant vers le haut au besoin, de façon qu'ils ne touchent pas au dessus de la porte du lave-vaisselle et n'endommagent celle-ci.

Montage sur le dessus pour les modèles 18 po seulement



Courbez et cassez les supports des deux côtés à l'emplacement de leurs fentes de découpage (selon la nécessité) après l'installation si le surplomb du comptoir est court.

Montage sur le dessus pour les modèles 24 po seulement



Courbez et cassez les supports des deux côtés à l'emplacement de leurs fentes de découpage (selon la nécessité) après l'installation si le surplomb du comptoir est court.

- Si vous installez le lave-vaisselle sous un comptoir dont le surplomb est court, les supports de comptoir peuvent se prolonger au-delà des bords du comptoir. Dans ce cas, supprimez la longueur excédentaire en courbant à répétition les supports à l'encoche frontale seulement jusqu'à ce qu'ils cassent.

Installation du lave-vaisselle

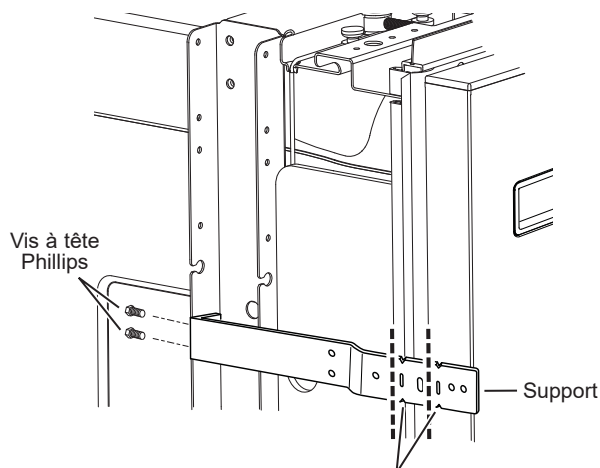
ÉTAPE 9 INSTALLATION DES SUPPORTS DE MONTAGE (SUITE)

OPTION DE MONTAGE SUR LES CÔTÉS

Installez les supports de montage sur les côtés si le comptoir est en granit ou un matériau similaire qui n'acceptera pas les vis à bois :

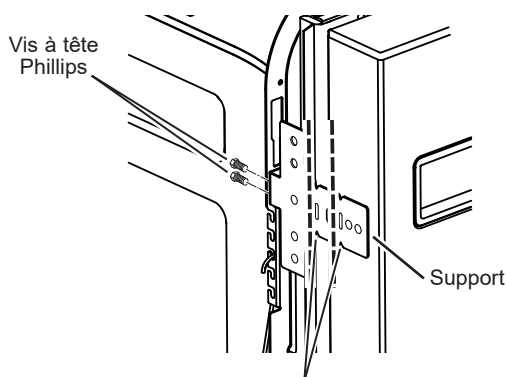
- Cassez la partie frontale de la languette avec une pince à l'endroit indiqué avant de fixer au lave-vaisselle.
- Placez le support de gauche comme illustré. Répétez pour le support de droite.

Montage sur les côtés pour les modèles de 18 po seulement



Courbez et cassez les supports des deux côtés à l'emplacement de leurs fentes de découpage (selon la nécessité) avant l'installation.

Montage sur les côtés pour les modèles de 24 po seulement

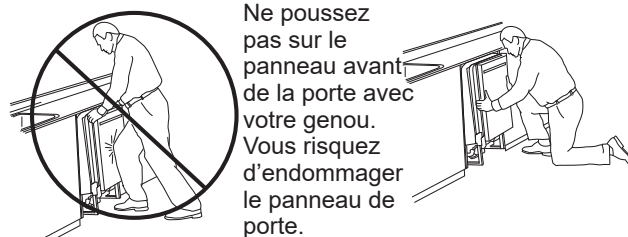


Courbez et cassez les supports des deux côtés à l'emplacement de leurs fentes de découpage (selon la nécessité) avant l'installation.

ÉTAPE 10 INSERTION DU LAVE-VAISSELLE PARTIELLEMENT DANS L'OUVERTURE

IMPORTANT – Ne poussez pas sur le panneau avant avec vos genoux. Vous pourriez endommager l'appareil.

- Saisissez le panneau avant de l'appareil par les côtés et faites glisser le lave-vaisselle dans l'ouverture de quelques centimètres ou pouces à la fois.

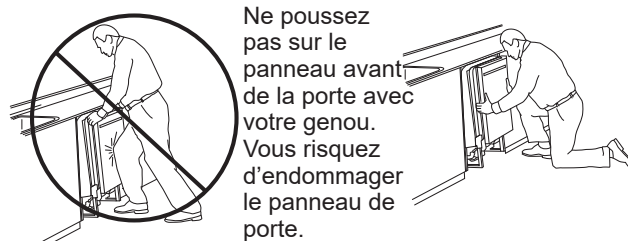


Ne poussez pas sur le panneau avant de la porte avec votre genou. Vous risquez d'endommager le panneau de porte.

- Tirez sur le boyau de vidange et le cordon d'alimentation, s'il y a lieu, par les trous des armoires adjacentes au fur et à mesure. Arrêtez lorsque le lave-vaisselle dépasse le devant des armoires adjacentes d'environ 15 cm (6 po).
- Assurez-vous que le boyau de vidange n'est pas plié à l'arrière ou en dessous du lave-vaisselle.
- Assurez-vous que le câble électrique de la résidence, le boyau de vidange et la conduite d'eau n'entrent pas en contact avec des pièces sous le lave-vaisselle.

ÉTAPE 11 MISE EN POSITION DU LAVE-VAISSELLE SOUS LE PLAN DE TRAVAIL

- Pousser le lave-vaisselle dans l'armoire.
- Pousser les côtés, avec les mains. Ne pas utiliser un genou contre la porte, car ceci endommage la porte.

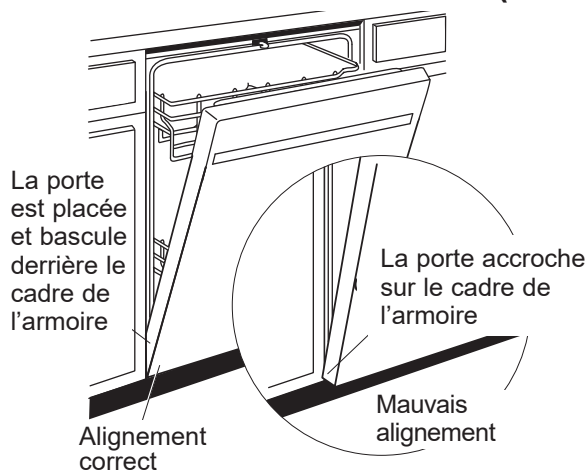


Ne poussez pas sur le panneau avant de la porte avec votre genou. Vous risquez d'endommager le panneau de porte.

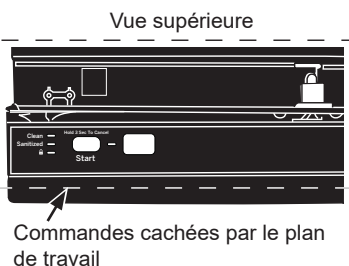
- Pendant la mise en place dans l'armoire, vérifier que la couverture isolante du bac n'est pas « rebroussée » et qu'elle n'interfère pas avec les ressorts.
- Centrer le lave-vaisselle dans l'ouverture.
- L'avant du panneau de porte doit être aligné sur le devant de l'armoire.
- Ouvrir et fermer avec soin la porte pour vérifier que le panneau de la porte n'accroche pas ou ne frotte pas sur le cadre de l'armoire.
- Si la porte accroche ou frotte sur le cadre, changer la position ou mettre l'appareil de niveau (Étape 14) jusqu'à ce que la porte se déplace librement et n'est pas en contact avec le cadre de l'armoire.

Installation du lave-vaisselle

ÉTAPE 11 MISE EN POSITION DU LAVE-VAISSELLE SOUS LE PLAN DE TRAVAIL (CONT.)



Les commandes de ces modèles sont conçues pour être cachées par le plan de travail. Aligner le lave-vaisselle comme illustré par la figure.



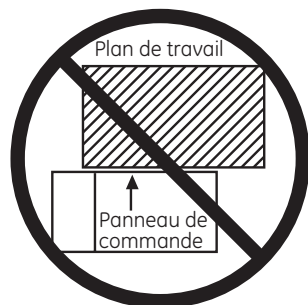
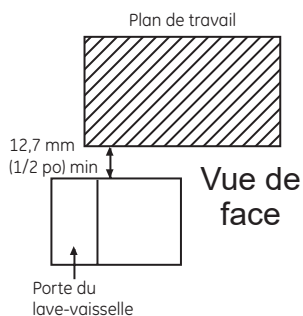
Laisser un dégagement d'au moins 12,7 mm (1/2 po) entre le dessous du plan de travail et le haut de la porte de l'appareil, tel illustré par la figure.

REMARQUE : Les commandes risquent de ne pas être cachées par le plan de travail si le tuyau de vidange se trouve piégé derrière l'appareil.

Conseil : Il est possible de régler les pieds de mise de niveau pour augmenter ou diminuer l'espace entre les commandes et le plan de travail, affectant la visibilité des commandes.

IMPORTANT – Laisser un dégagement d'au moins 12,7 mm (1/2 po) entre les commandes et le dessous du plan de travail pour prévenir la condensation et les dommages infligés au panneau de commande par les têtes de vis.

REMARQUE : Si ce lave-vaisselle remplace un lave-vaisselle existant, il est possible que les trous de vis de l'ancienne patte du plan de travail ne soient pas au bon endroit pour accepter un modèle à commandes en haut. Il peut être nécessaire de faire de nouveaux trous.



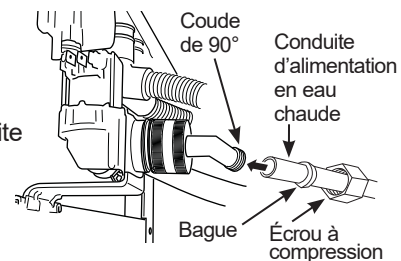
ÉTAPE 12 RACCORDEMENT DE L'ALIMENTATION EN EAU

Raccordez la conduite d'alimentation en eau au coude de 90°. Si vous décidez de faire le raccordement avec un boyau flexible tressé :

- Fixez le coude de 90° avec une clé à molette.

Si vous décidez de faire le raccordement avec un tuyau en cuivre :

- Glissez l'écrou à compression puis la bague d'extrémité à l'extrémité de la conduite d'alimentation en eau.
- Insérez la conduite d'alimentation en eau dans le coude de 90°.
- Glissez la bague d'extrémité contre le coude et fixez avec l'écrou à compression.



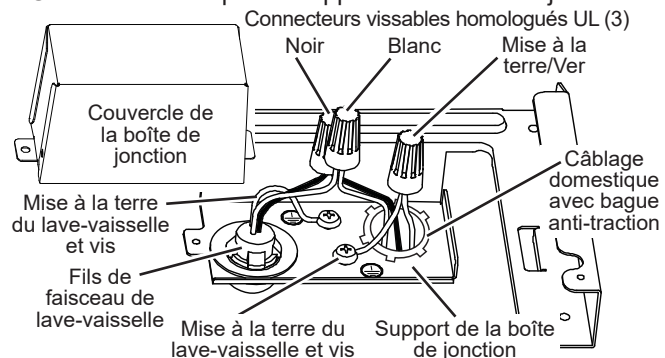
ÉTAPE 13 BRANCHEMENT DE L'ALIMENTATION

Si un cordon d'alimentation pourvu d'une fiche est déjà installé sur l'appareil, passez à l'étape 14.

AVERTISSEMENT Si le câblage électrique de la résidence n'est pas constitué de deux fils plus un fil de mise à la terre, l'installateur doit installer un fil de mise à la terre. Si le câblage électrique de la résidence est en aluminium, utilisez un agent antioxydant et des connecteurs pour raccords «aluminium-cuivre» homologués UL.

- Retirez le couvercle de la boîte de jonction.
- Fixez le câblage de la résidence à l'arrière de la boîte de jonction à l'aide d'une bague anti-traction.
- Repérez les trois (3) fils du lave-vaisselle, (blanc, noir et vert) avec les bouts dénudés dépassant des cavaliers CA. Utilisez les capuchons de connexion homologués UL de taille appropriée pour connecter le fil de terre arrivant au fil vert, le blanc au blanc et le noir au noir.
- Remplacer le couvercle de la boîte de jonction à l'aide de la vis. Assurez-vous que les fils ne sont pas coincés sous le couvercle.
- Si vous utilisez une trousse pour cordon d'alimentation, utiliser le numéro de partie GE Appliances **WX09X70910** ou **WX09X70911** et veuillez consulter les instructions fournies avec la trousse.

NOTE : N'enlevez pas le support de la boîte de jonction.



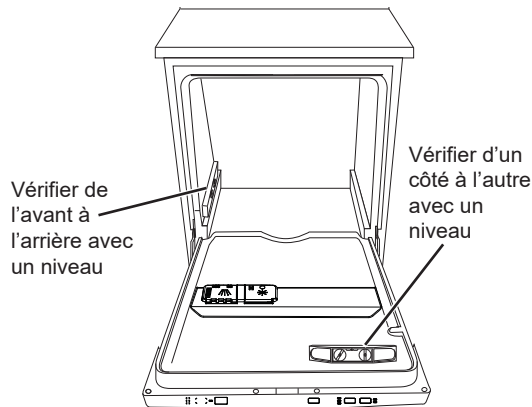
NOTE : Toutes les vis et tous les supports et les fils servant de mise à la terre doivent demeurer intacts.

Installation du lave-vaisselle

ÉTAPE 14 MISE DE NIVEAU DU LAVE-VAISSELLE

IMPORTANT – Le lave-vaisselle doit être de niveau pour assurer le bon fonctionnement des paniers et de la porte du lave-vaisselle et obtenir une bonne efficacité de lavage. Le lave-vaisselle doit être mis de niveau de gauche à droite, et de l'avant vers l'arrière.

- Veiller à maintenir un dégagement d'au moins 12,7 mm (1/2 po).
- Enlevez le panier inférieur et placez un niveau sur la porte et sur le rail du panier inférieur, comme indiqué à la figure.

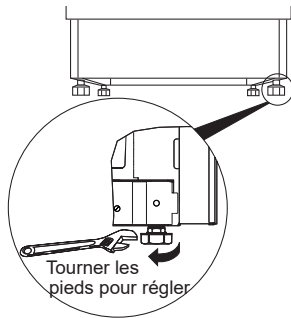


- Si l'appareil n'est pas à niveau, ajuster un par un les quatre pieds de mise à niveau.

Conseil: Pour éviter des frais de réparation inutiles, vérifiez si le lave-vaisselle est de niveau.

Sortez les paniers à moitié. Ils doivent demeurer immobiles. Ouvrez et fermez la porte. La porte doit être bien ajustée à l'ouverture de la cuve sans frotter sur les côtés. Si les paniers rentrent ou sortent tout seuls ou si la porte frotte contre les côtés de la cuve, remettez le lave-vaisselle de niveau.

IMPORTANT – Après la mise à niveau, contrôler que le lave-vaisselle se trouve toujours dans la position correcte indiquée à l'étape 11.



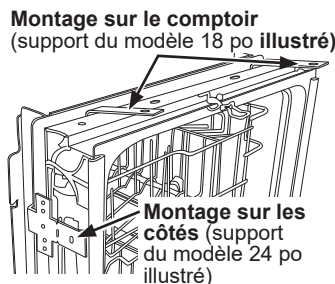
ÉTAPE 15 FIXATION DU LAVE-VAISSELLE AU-DESSOUS DU COMPTOIR OU AUX CÔTÉS DES ARMOIRES

Dans cette étape, vous aurez besoin des deux (2) vis à tête étoilée qui restent de celles mises de côté dans la section **PRÉPARATION**.

Le lave-vaisselle doit être fixé au comptoir ou aux côtés de l'armoire.

Lorsque le dessous du comptoir est en bois, utilisez la **Méthode 1** (montage sur le comptoir).

Utilisez la **Méthode 2** (montage sur les côtés) lorsque le dessous du comptoir est un matériau tel que le granit qui n'accepte pas les vis à bois.



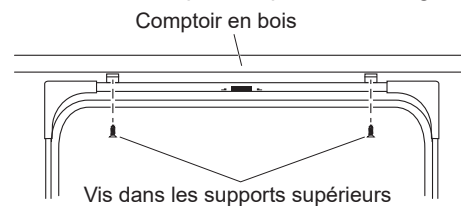
ÉTAPE 15 FIXATION DU LAVE-VAISSELLE AU-DESSOUS DU COMPTOIR OU AUX CÔTÉS DES ARMOIRES (SUITE)

IMPORTANT– Pour éviter tout dommage au panneau de la porte et au tableau de commande, il faut que le lave-vaisselle soit installé de manière que le panneau avant et le tableau de commande n'entrent pas en contact avec les armoires adjacentes ou le comptoir. Vissez les vis complètement et bien droites. Les têtes de vis qui dépassent pourraient égratigner le panneau de porte ou le tableau de commande et créer de l'interférence lors de l'ouverture de la porte.

Méthode n° 1

Fixation du lave-vaisselle au dessous d'un comptoir en bois.

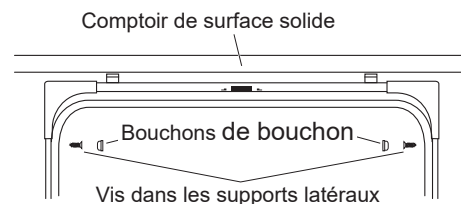
- Fixez le lave-vaisselle au dessous du comptoir à l'aide des deux vis à tête Phillips. Reportez-vous à la figure. Assurez-vous de visser complètement les vis bien droites afin que les têtes soient affleurantes pour ne pas endommager le panneau.



Méthode n° 2

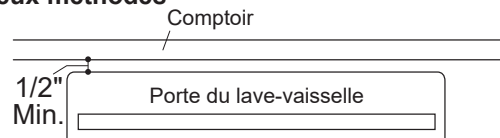
Fixation du lave-vaisselle aux côtés des armoires.

- Retirez les bouchons de la cuve. Conservez-les.
- Fixez le lave-vaisselle au dessous du comptoir à l'aide des deux vis à tête Phillips. Reportez-vous à la figure. Assurez-vous de visser complètement les vis bien droites afin que les têtes soient affleurantes pour ne pas endommager le panneau.
- Réinstallez les boutons de bouchon.



- Vérifiez une nouvelle fois que le lave-vaisselle est d'équerre et de niveau aussi bien dans le haut que dans le bas de l'ouverture d'armoire, sans torsion ni déformation de la cuve ou de la porte après le montage des armoires ou du comptoir. Procédez à un ajustement si nécessaire.
- Assurez-vous que tous les pieds de nivellement reposent fermement sur le plancher afin de prévenir le balancement du lave-vaisselle et garantir le bon fonctionnement de la porte et du loquet.

Les deux méthodes



- À la fin de l'étape, fermer la porte du lave-vaisselle et vérifier qu'il y a un dégagement d'au moins 12,7 mm (1/2 po) entre le plan de travail et le haut du lave-vaisselle.

Installation du lave-vaisselle

ÉTAPE 16 LISTE DE CONTRÔLE PRÉLIMINAIRE

Passez en revue cette liste après l'installation de votre lave-vaisselle pour éviter des frais de réparation inutiles non couverts par votre Garantie.

- Assurez-vous que le courant électrique est COUPÉ à la source.
- Ouvrez la porte du lave-vaisselle et enlevez tout le matériel d'emballage en carton et en mousse.
- Repérez le Manuel d'utilisation.
- Veuillez lire le Manuel d'utilisation pour vous familiariser avec le fonctionnement de l'appareil.
- Vérifiez l'ouverture et la fermeture de la porte. Si la porte n'ouvre pas et ne se ferme pas librement, vérifiez les ajustements de ressort appropriés. Si la porte s'ouvre complètement ou se ferme lorsque vous la relâchez, réglez la tension du ressort. Reportez-vous à l'étape 1.
- Assurez-vous que le câblage électrique est bien placé sous le lave-vaisselle, qu'il n'est pas coincé ou qu'il n'entre pas en contact avec les ressorts de la porte ou d'autres pièces de l'appareil. Reportez-vous à l'étape 13.
- Vérifiez si la porte est bien parallèle par rapport à la cuve. Si la porte frotte sur la cuve, mettez le lave-vaisselle de niveau. Reportez-vous aux étapes 14.
- Vérifiez si la porte du lave-vaisselle est bien parallèle par rapport aux armoires. Si la porte frotte contre les armoires, repositionnez le lave-vaisselle. Reportez-vous à l'étape 11.
- Assurez-vous que les ressorts de la porte n'entrent pas en contact avec la conduite d'alimentation, le boyau de remplissage, le câblage électrique ou toute autre pièce de l'appareil. Reportez-vous aux étapes 10 et 11.
- Assurez-vous que la conduite d'alimentation en eau et le boyau de vidange ne sont pas pliés ou n'entrent pas en contact avec d'autres pièces. Tout contact avec le moteur ou le cadre du lave-vaisselle pourrait provoquer l'apparition de bruits. Reportez-vous aux étapes 10 et 11.
- Ouvrez le robinet d'eau chaude de l'évier et vérifiez si la température de l'eau varie entre 49 °C (120 °F) et 60 °C (140 °F). La température de l'eau doit être d'au moins 49 °C (120 °F) pour assurer une efficacité de lavage optimale. Reportez-vous à la section «PRÉPARATION DE L'ALIMENTATION EN EAU CHAUDE».
- Versez 2 litres d'eau dans le fond du lave-vaisselle pour lubrifier le joint de la pompe.
- Ouvrez l'alimentation en eau chaude. Vérifiez s'il y a des fuites. Serrez les raccords au besoin.
- Enlevez la pellicule protectrice, s'il y a lieu, sur le tableau de commande et la porte.
- Éviter les frais de service en contrôlant qu'un dispositif anti-siphon ou un tuyau de vidange est installé à la hauteur minimale requise de 81 cm (32 po). Reportez-vous à l'étape 8.

ÉTAPE 17 VÉRIFIEZ LES POINTS SUIVANTS

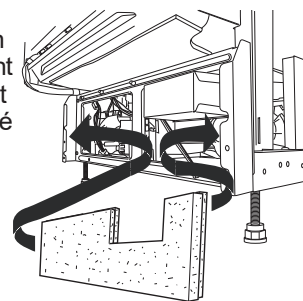
- Le lave-vaisselle est d'équerre et de niveau par rapport au bas et au haut de l'ouverture de l'armoire, sans torsion ni déformation de la cuve ou de la porte.
- Les quatre (4) pieds reposent fermement sur le plancher.
- Le boyau de vidange n'est pas coincé entre le lave-vaisselle et les armoires ou les murs adjacents.

ÉTAPE 18 ESSAI DU LAVE-VAISSELLE AVEC DE L'EAU

- Rétablissez l'alimentation électrique ou si l'appareil est doté d'un cordon d'alimentation, branchez-le dans la prise de courant murale.
- Sélectionnez un cycle à exécuter et pressez la touche **Start**.
- Ferme la porte du lave-vaisselle. Le lave-vaisselle devrait démarrer.
- Assurez-vous que le lave-vaisselle se remplit. Si le lave-vaisselle ne se remplit pas d'eau, vérifiez si le robinet de la conduite est ouvert et si le lave-vaisselle est sous tension.
- Vérifiez s'il y a des fuites sous le lave-vaisselle. Si tel est le cas, coupez l'alimentation électrique en déclenchant le disjoncteur, serrez les raccords, puis rétablissez le courant.
- Vérifiez s'il y a des fuites autour de la porte. Ces fuites peuvent être causées par le frottement de la porte du lave-vaisselle contre les armoires adjacentes. Repositionnez le lave-vaisselle au besoin. Reportez-vous à l'étape 11.
- Ouvrez la porte du lave-vaisselle. Maintenez enfoncée la touche **Start** (Démarrer) jusqu'à ce que le voyant près de la touche s'éteigne, pour annuler le cycle. Ferme la porte du lave-vaisselle. L'appareil commencera à se vidanger. Vérifiez le boyau de vidange. S'il présente des fuites, coupez l'alimentation électrique en déclenchant le disjoncteur et corrigez le problème de plomberie, au besoin. Rétablissez le courant après avoir colmaté la fuite. Reportez-vous aux étapes 7 et 8.
- Ouvrez la porte du lave-vaisselle et assurez-vous que la majeure partie de l'eau a été vidangée. Si l'appareil ne s'est pas vidé, assurez-vous que le bouchon de vidange du broyeur à déchets a été enlevé et(ou) que la coupure anti-refoulement est exempte de débris. Vérifiez également le boyau de vidange pour vous assurer qu'il n'est pas coincé en dessous ou à l'arrière du lave-vaisselle. Reportez-vous à l'étape 8.
- Appuyez sur la touche **Start** (Démarrer) une fois de plus et lancez le lave-vaisselle dans un autre cycle. Vérifiez l'absence de fuites et apportez des correctifs si nécessaire.
- Répétez ces étapes que nécessaire.

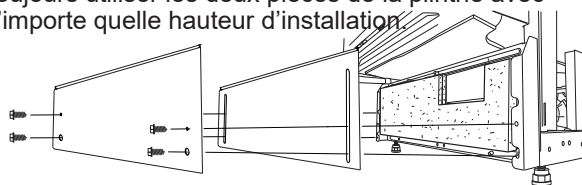
ÉTAPE 19 RÉINSTALLATION DU PANNEAU INFÉRIEUR

- Installez l'isolant de plinthe (modèles 18 po seulement) en plaçant les extrémités de l'isolant dans les supports de gauche et droite. L'isolant doit être installé vers le haut sous la cuve.
- Placer la pièce intérieure de la plinthe (munies de fentes) contre le support de plinthe. Aligner les fentes sur les trous de vis du support de plinthe. Laisser la plinthe contacter le sol.



Conseil: Pour atténuer le bruit provenant du dessous du lave-vaisselle. Assurez-vous que le panneau inférieur repose sur le plancher.

- Positionner la plus grande pièce au-dessus de la pièce intérieure et la fixer avec les quatre vis à plinthe.
- Toujours utiliser les deux pièces de la plinthe avec n'importe quelle hauteur d'installation.





GE APPLIANCES

Instrucciones de Instalación

Lavavajillas Incorporado

Ante cualquier duda, comuníquese GE Appliances al 800.GE.CARES (800.432.2737) o visite nuestro sitio web en: GEAppliances.com.

ANTES DE COMENZAR

Lea estas instrucciones en su totalidad y atentamente.

▲ ADVERTENCIA

- Retire todos los conductores de corriente del electrodoméstico de disyuntor o de la caja del fusible antes de comenzar con la instalación. Si no cumple con esto, se podrá producir el riesgo de descargas eléctricas.
- Para reducir el riesgo de descarga eléctrica, incendio o lesiones a personas, el instalador debe asegurarse de que el lavaplatos esté completamente cerrado en el momento de la instalación.
- La conexión inadecuada del conductor de conexión a tierra del equipamiento puede provocar un riesgo de descarga eléctrica. Consulte a un electricista calificado o representante de servicio técnico si tiene dudas sobre la correcta conexión a tierra del aparato. Si el cableado doméstico no cuenta con un cable de 2 hilos con conexión a tierra, un instalador debe realizar una conexión a tierra. Cuando el cableado doméstico es de aluminio, asegúrese de usar un compuesto antioxidante y conectores de aluminio a cobre aprobados por UL.
- Para reducir el riesgo de descarga eléctrica, incendio o lesiones a personas, el instalador deberá realizar un control para asegurar que los cables no estén pellizcados ni dañados, que el cableado del hogar esté conectado a la ficha de la caja de empalmes a través de un amortiguador de refuerzo, y que todas las conexiones eléctricas realizadas en el momento de la instalación (tuercas para cables) estén dentro de la tapa de la caja de empalmes.
- No use un cable de extensión o un enchufe adaptador con este electrodoméstico.

- Asegúrese de entregar al consumidor el paquete completo de textos, estas Instrucciones de Instalación y muestras y/o cupones del producto.

NOTA: La mejora de los productos es un esfuerzo continuo para GE Appliances. Por lo tanto, los materiales, la apariencia y las especificaciones pueden sufrir cambios sin previo aviso.

PARA SU SEGURIDAD

Lea y cumpla con todas las **ADVERTENCIAS** y **PRECAUCIONES** que figuran en estas instrucciones.

Al realizar las instalaciones descritas en este manual, se deberán usar guantes y anteojos o gafas de seguridad.

IMPORTANTE – Cumpla con todos los códigos y ordenanzas gubernamentales.

- **Nota para el Instalador** – Asegúrese de entregar estas instrucciones al consumidor y al inspector local.
 - **Nota para el Consumidor** – Guarde estas instrucciones con su Manual del Propietario para referencia futura.
 - **Nivel de habilidad** – La instalación de este lavavajillas requiere un nivel básico de habilidades mecánicas, eléctricas y de plomería.
- La correcta instalación del producto es responsabilidad del instalador. Si se producen fallas en el producto debido a una instalación inadecuada, la Garantía del Producto de GE Appliances no cubrirá las mismas. Consulte la información de la Garantía.**
- **Tiempo de instalación – 1 y 3 horas.** Las instalaciones nuevas requieren más tiempo que las instalaciones de reemplazo.

IMPORTANTE – El lavavajillas DEBE ser instalado para permitir el retiro futuro de su ubicación, si se requiere realizar el servicio técnico.

Se deberá tener cuidado cuando el electrodoméstico sea instalado o retirado, a fin de reducir la posibilidad de daños sobre el cable de suministro eléctrico.

Si el lavavajillas que recibió está dañado, se debería comunicar de inmediato con su vendedor o fabricante.

Accesorios Opcionales – Para consultar sobre disponibilidad de kits de paneles personalizados, consulte el Manual del Propietario.

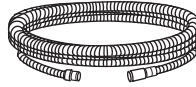
Su lavavajillas es un electrodoméstico donde se calienta agua.

**LEA DETENIDAMENTE
CONSERVE ESTAS INSTRUCCIONES**

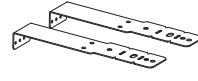
Preparación de la Instalación

PIEZAS SUMINISTRADAS EN EL PAQUETE DE INSTALACIÓN:

- La extensión de manguera de desagüe
- Clavija de la manguera
- 2 Soportes de montaje para mesada de madera o gabinetes laterales (**NOTA:** Use los soportes apropiados, como se muestra, de acuerdo al ancho de su modelo.)
- Aislante del zócalo (Solo modelos de 18")
- 6 Tornillos de cabeza Phillips para asegurar el lavavajillas a la parte inferior de la mesada o a los gabinetes laterales
- Literatura, muestras y/o cupones

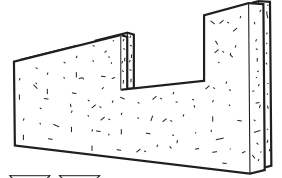


La extensión de manguera de desagüe

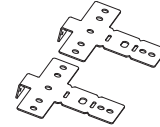


Soportes de montaje (Solo modelos de 18")

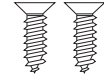
- Aislante del zócalo (Solo modelos de 18")



Clavija de la manguera



Soportes de montaje (Solo modelos de 24")



Tornillos de cabeza Phillips



Textos

MATERIALES NECESARIAS:

- Tuercas de cables (3) de la lista de UL
- Cinta de sello de hilo
- Codo de 90° (rosca interna de la manguera de 3/4" en un extremo, y el extremo opuesto coincide con el suministro de agua)



Tuercas de cables



Cinta de sello de hilo



Codo de 90°

Materiales Necesarios para Instalaciones Nuevas:

- Brecha de aire para la manguera de desagüe, si se requiere
- T de desechos para plomería hogareña, si corresponde
- Cable eléctrico o Kit del cable de corriente **WX09X70910** (5,4 pies) o **WX09X70911** (7,9 pies) dependiendo de su instalación.
- Clavijas de la manguera de tipo de tornillo
- Amortiguador de refuerzo para la conexión eléctrica
- Válvula de cierre manual (recomendado)
- Línea de agua caliente– mínimo de 3/8", tubería de cobre (incluyendo abrazadera de refuerzo, tuerca de compresión) o pieza de GE Appliances n° **WX28X326**, manguera trenzada flexible.



Brecha de aire



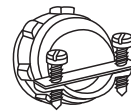
T de desechos



Cable eléctrico (o cable de corriente si corresponde)



Clavijas de la manguera



Amortiguador de refuerzo



Válvula de cierre manual



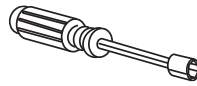
Línea de Agua Caliente, abrazadera de refuerzo y tuerca de compresión

HERRAMIENTAS NECESARIAS:

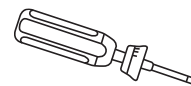
- Destornillador Phillips
- Llave de tuercas de 1/4" y de 5/16"
- Conductor del esfuerzo de torsión T25
- Llave ajustable de 6"
- Guantes
- Gafas de seguridad
- Linterna
- Balde para contener el agua al desagotar la línea
- Nivel
- Cinta de medición
- Escuadra de carpintero Nivel



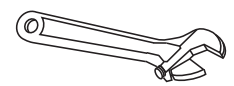
Destornillador Phillips



Llave de tuercas de 1/4" y de 5/16"



Conductor del esfuerzo de torsión T25



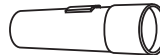
Llave ajustable de 6"



Guantes



Gafas de seguridad



Linterna



Balde



Nivel



Cinta de medición



Escuadra de carpintero Nivel

Sólo para Instalaciones Nuevas:

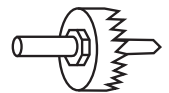
- Cortador de tubos
- Taladro y brocas apropiadas
- Equipo de caladora



Cortador de tubos



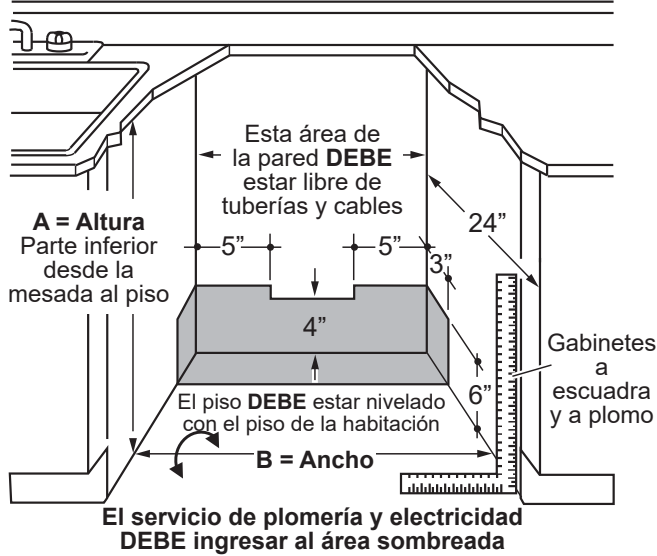
Taladro y brocas apropiadas



Equipo de caladora

Preparación de la Instalación

PREPARE EL AMURADO DEL LAVAVAJILLAS



	A	B
Solo modelos de 18"	32-1/2" min.-34-3/4" max.	18"
Solo modelos de 24"	32-3/8" min.-34-3/4" max.	24"

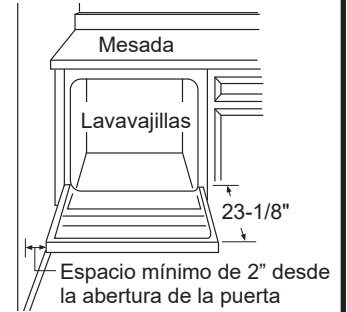
⚠ ADVERTENCIA

Para reducir el riesgo de descarga eléctrica, incendio o lesiones a personas, el instalador debe asegurarse de que el lavaplatos esté completamente cerrado en el momento de la instalación.

- El lavavajillas se deberá instalar de forma tal que la manguera de desagüe no tenga más de 12' de longitud para un desagüe adecuado.
- El lavavajillas deberá estar completamente amurado a la parte superior, costados y parte trasera, y no deberá tener apoyada ninguna parte del amurado.

ESPACIO NECESARIO:

- Cuando se instale en una esquina, deje un espacio mínimo de 2" entre el lavavajillas y el gabinete adyacente, la pared y otros electrodomésticos. Deje un espacio mínimo de 23-1/8" desde el frente del lavavajillas hasta la abertura de la puerta.



REQUISITOS PARA EL DESAGÜE

- Cumpla con los códigos y ordenanzas locales.
- No supere una distancia de 12' hasta el desagüe.
- La altura de la conexión del drenaje no debe exceder las 72" sobre la parte inferior del lavavajillas.

NOTA: Se deberá usar una brecha de aire si la T de desechos o la conexión del eliminador de desechos está a menos de 18" sobre el piso para evitar el sifonaje.

DETERMINE EL MÉTODO DE DESAGÜE

El tipo de instalación del desagüe depende de las siguientes cuestiones.

- ¿Requieren los códigos u ordenanzas locales una brecha de aire?
- ¿Está la T de desechos a menos de 18" sobre el piso?

Si la respuesta a cualquiera de estas preguntas es SÍ, se DEBERÁ usar el Método 1.

- Si las respuestas son NO, se podrá usar cualquier método.

PREPARACIÓN DEL GABINETE

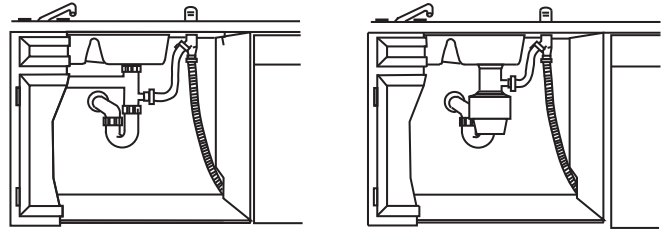
- Perfore un agujero de 1 1/2" de diámetro en la pared del gabinete, dentro de las áreas sombreadas que se muestran en la **PREPARE EL AMURADO DEL LAVAVAJILLAS**, para la conexión de la manguera de desagüe. El agujero deberá ser realizado de forma pareja, sin extremos filosos.

IMPORTANTE – Al conectar la línea de desagüe al eliminador de residuos, asegúrese de que el enchufe del desagüe haya sido retirado. **EL LAVAVAJILLAS NO HARÁ EL DESAGOTE SI EL ENCHUFE ESTÁ COLOCADO.**

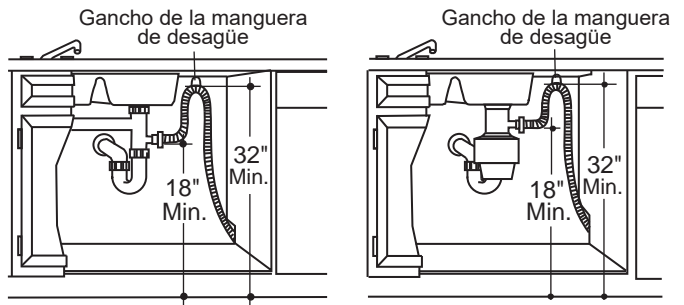


Método 1 – Brecha de aire con T de desechos o eliminador de desechos

Se deberá usar una brecha de aire cuando los códigos y ordenanzas locales lo requieran. La brecha de aire deberá ser instalada de acuerdo con las instrucciones del fabricante.



Método 2 – "Bucle de Desagote Alto" con T de desechos o eliminador de desechos



Consejo: Evite costos innecesarios de llamadas al servicio técnico.

Siempre asegúrese de que el enchufe del desagüe de desechos haya sido retirado antes de adherir la manguera de desagüe del lavavajillas al eliminador de desechos.

Preparación de la Instalación

PREPARACIÓN DEL CABLEADO ELÉCTRICO

⚠ ADVERTENCIA

Retire todos los conductores de corriente del electrodoméstico de disyuntor o de la caja del fusible antes de comenzar con la instalación. Si no cumple con esto, se podrá producir el riesgo de descargas eléctricas.

Requisitos Eléctricos

- Este electrodoméstico deberá ser provisto con 120V, 60 Hz, y estar conectado a un circuito individual correctamente conectado a tierra, protegido por un disyuntor o fusible de retardo de 15 o 20 amp.
- El cableado deberá constar de 2 cables con tierra y resistente a 167°F (75°C).
- Si el suministro eléctrico provisto no cumple con los requisitos anteriores, llame a un electricista matriculado antes de proceder.

Instrucciones de Conexión a Tierra – Conexión Permanente

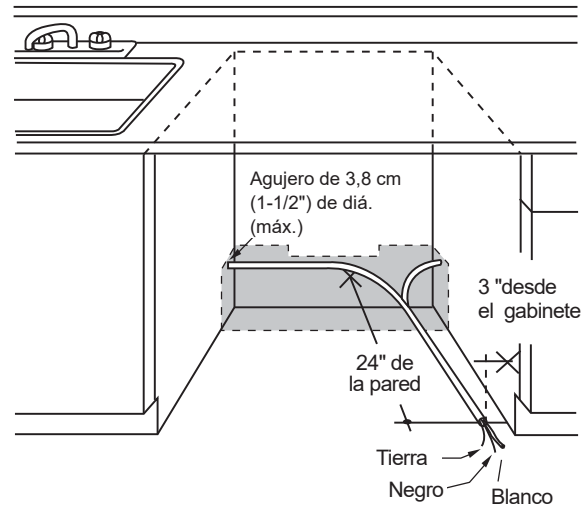
Este electrodoméstico debe estar conectado a un sistema de cableado de metal permanente con conexión a tierra, o se deberá tender un conducto para la conexión a tierra del equipo con los conductores del circuito y conectado al terminal de tierra del equipo o al conductor de suministro del electrodoméstico.

Instrucciones de Conexión a Tierra – Modelos con Cables de Corriente

Este electrodoméstico deberá estar conectado a tierra. En caso de mal funcionamiento o avería, la conexión a tierra reducirá el riesgo de descargas eléctricas al brindar un camino con una resistencia menor para la corriente eléctrica. Este electrodoméstico está equipado con un cable con un conductor para la conexión a tierra del equipo y un enchufe con conexión a tierra. El enchufe deberá estar conectado a un tomacorriente instalado en forma adecuada y con conexión a tierra de acuerdo con todos los códigos y ordenanzas locales.

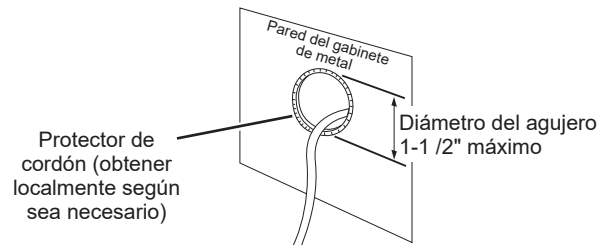
⚠ ADVERTENCIA

La conexión inadecuada del conductor de conexión a tierra del equipamiento puede provocar un riesgo de descarga eléctrica. Consulte a un electricista calificado o representante de servicio técnico si tiene dudas sobre la correcta conexión a tierra del aparato. No modifique el enchufe que se suministra con el aparato; si no calza en el tomacorrientes, haga que un técnico calificado le instale un tomacorrientes adecuado.



Preparación del Gabinete y Enrutador del Cable

- El cableado podrá ingresar por la abertura de cualquiera de los lados, desde la parte trasera o desde el piso dentro del área sombreada que aparece ilustrada más arriba en la figura y definida en la sección **PREPARE EL AMURADO DEL LAVAVAJILLAS**.
- Corte un agujero de un máximo de 1-1/2" de diámetro para admitir el cable eléctrico. Los extremos del agujero deberían estar parejos y redondeados. De ser conveniente, las conexiones del cableado permanente podrán pasar a través del mismo agujero que la manguera de desagüe y la línea de agua caliente. Si la pared del gabinete es metálica, el extremo del agujero deberá estar cubierto con un aislante. **NOTA:** Los cables de corriente con enchufe deberán pasar a través de un agujero separado. **NOTA:** Los cables de alimentación con enchufe tienen que pasar a través de un agujero separado en el gabinete.



Conexión Eléctrica al Lavavajillas

La conexión eléctrica se encuentra sobre el frente derecho del lavavajillas.

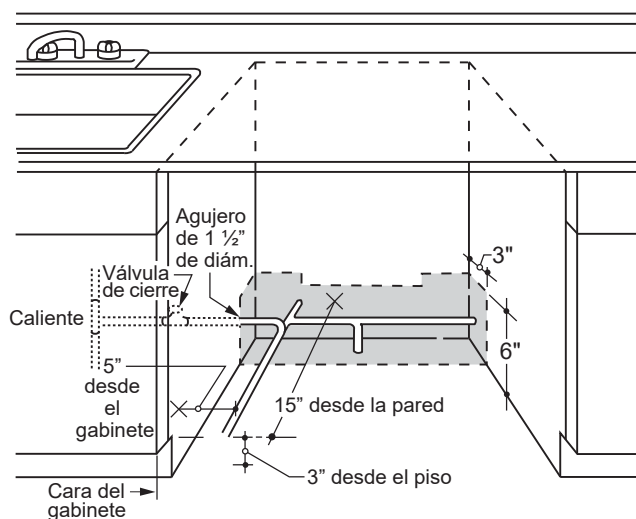
- Para realizar conexiones permanentes, el cable deberá hacer un recorrido como se muestra en la figura. El cable se deberá extender un mínimo de 24" desde la pared trasera.
- Para realizar conexiones de cables de corriente, instale un receptáculo con conexión a tierra de 3 clavijas en la pared trasera del gabinete del lavabo, a un mínimo de 6" o a un máximo de 18" desde la abertura, y de 6" a 18" sobre el piso.
- Use sólo el Kit del Cable de Corriente del Lavavajillas **WX09X70910** (5,4 pies) o **WX09X70911** (7,9 pies). No use un cable de extensión o un enchufe adaptador con este electrodoméstico.

Preparación de la Instalación

PREPARACIÓN DE LA LÍNEA DE AGUA CALIENTE

NOTA: GE Appliances recomienda el uso de tuberías de cobre para la línea de agua, pero si decide usar una manguera flexible, use la manguera trenzada flexible **WX28X326** de GE Appliances.

- La línea de suministro de agua (la tubería de cobre de 3/8" o la manguera trenzada flexible) podrá ingresar desde cualquiera de los laterales, desde la parte trasera o desde el piso dentro del área sombreada que se muestra en la figura.
- La línea de suministro de agua podrá pasar a través del mismo agujero que el cable eléctrico y la manguera de desagüe. O, corte un agujero de un diámetro adicional de 1 1/2" para ubicar la línea de agua. Si se utiliza el cable de corriente con enchufe, la línea de agua no deberá pasar a través del agujero del cable de corriente.



CONEXIÓN DE LA LÍNEA DE AGUA

- Si usará una manguera de suministro trenzada flexible, etiquete la manguera con la fecha de instalación para usar como referencia. Las mangueras trenzadas flexibles, codo y juntas deberán ser reemplazadas cada 5 años.
- Cierre el suministro de agua.
- Instale una válvula de cierre manual en una ubicación accesible, tal como debajo del lavabo. (Opcional, pero altamente recomendado y podrá ser requerido por los códigos locales)
- La conexión del agua se encuentra del lado izquierdo del lavavajillas. Instale la línea de entrada de agua caliente, usando una tubería de cobre o una manguera trenzada flexible de no menos de 3/8". Enrute la línea como se muestra en la sección **PREPARACIÓN DE LA LÍNEA DE AGUA CALIENTE** y extienda la misma hacia adelante por lo menos 19" desde la pared trasera.
- Ajuste el calentador de agua a una temperatura de entre 120°F y 140°F.
- Despeje la línea de agua para retirar escombros.
- La presión de la línea de suministro de agua caliente deberá ser de entre 20 y 120 PSI.

PREPARACIÓN

Ubique los ítems en el paquete de instalación:

- Tornillos
- La extensión de manguera de desagüe
- Soportes de montaje
- Literatura, muestras y/o cupones

Dé vuelta la página para iniciar la instalación del lavavajillas

Instalación del Lavavajillas

PASO 1 CONTROL DEL EQUILIBRIO DE LA PUERTA

PRECAUCIÓN

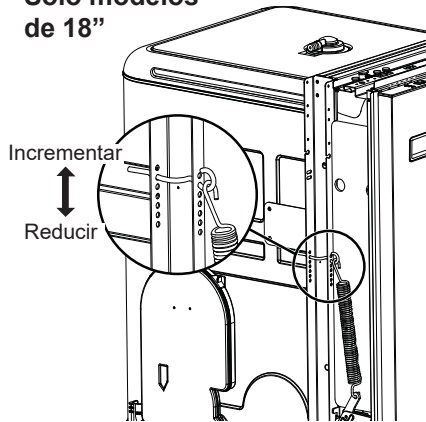
Abrir la puerta hará que el lavavajillas se incline hacia adelante cuando no se encuentre completamente instalado. Al abrir la puerta antes de haber instalado completamente el lavavajillas, sostenga la parte superior del lavavajillas de forma segura con una mano y sostenga la puerta con la otra mano. Se deberán usar guantes.



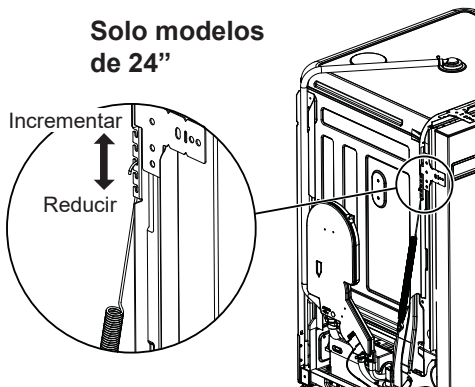
A fin de controlar el balance de la puerta, sostenga la parte superior del lavavajillas de manera firme.

- Controle el equilibrio de la puerta abriendo y cerrando la misma.
- Si la puerta se cae al ser liberada, incremente la tensión del resorte. Si la puerta se eleva al ser liberada, reduzca la tensión del resorte.

Solo modelos de 18"

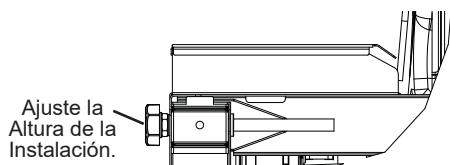


Solo modelos de 24"



PASO 2 AJUSTEZ LAS PATAS NIVELADORAS

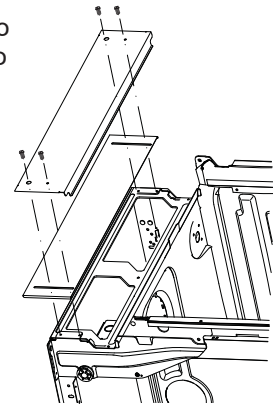
- Mueva el lavavajillas cerca de la ubicación de la instalación y haga que se apoye sobre su parte trasera.
NOTA: No coloque el lavavajillas en su lado.
- Mida la altura de la instalación y la altura del lavavajillas. Extienda las patas niveladoras hacia afuera de la base del lavavajillas, 1/2" menos que la altura de instalación.



Pata niveladora mostrada con el lavavajillas apoyado hacia arriba.

PASO 3 RETIRE EL ZÓCALO

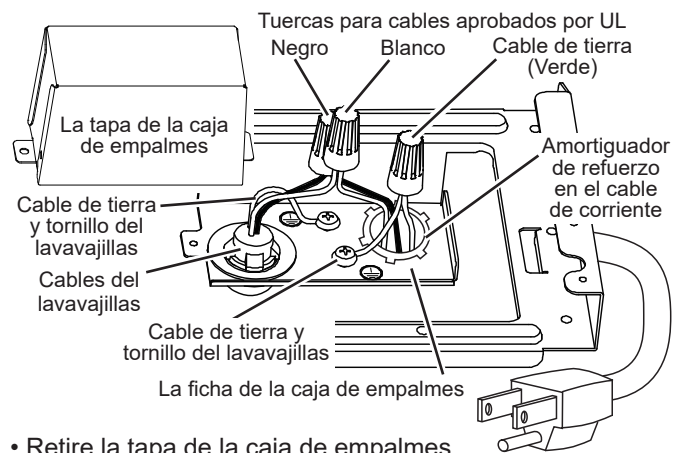
- Retire los 2 tornillos del zócalo y el zócalo. Deje a un costado para uso en el Paso 19.



PASO 4 INSTALE EL CABLE DE CORRIENTE

Saltee este paso si el lavavajillas estará conectado de forma permanente al sistema eléctrico hogareño o si cuenta con un cable de corriente instalado de fábrica.

- El cable de corriente y las conexiones deberán cumplir con el Código de Electricidad Nacional, Sección 422 y/o con los códigos y ordenanzas locales. La longitud máxima del cable de corriente es de 6 pies. Los kits de Cables de Corriente **WX09X70910** o **WX09X70911**, disponibles para su compra a través de un comerciante autorizado por GE Appliances, cumplen con estos requisitos.

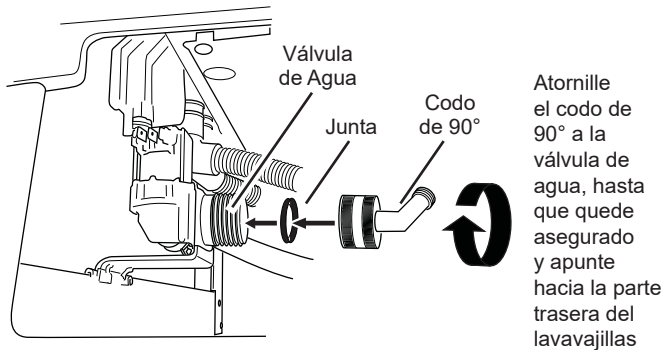


- Retire la tapa de la caja de empalmes.
- Instale el amortiguador de refuerzo en el soporte de la caja de empalmes.
- Inserte el cable de corriente a través del amortiguador de refuerzo y ajuste el mismo.
- Asegúrese de que los cables negro, blanco y verde del lavavajillas pasen a través del agujero pequeño del soporte de la caja de empalmes.
- Conecte el cable de corriente blanco (o acanalado) al blanco del lavavajillas, el negro (o liso) al negro del lavavajillas y el cable a tierra al cable verde del lavavajillas. Use las tuercas para cable de la lista de UL del tamaño apropiado.
- Reemplace la tapa de la caja de empalmes usando el tornillo. Asegúrese de que los cables no posean cortes debajo de la tapa.

Instalación del Lavavajillas

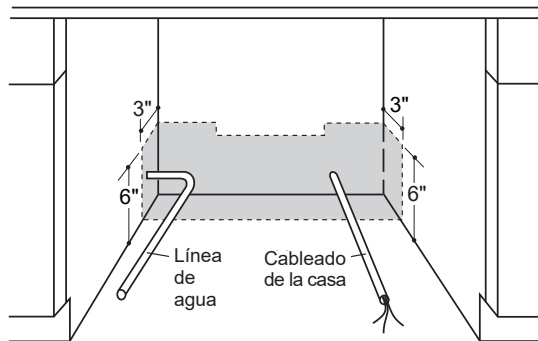
PASO 5 INSTALE UN CODO DE 90°

- Asegúrese de que la junta de goma esté ubicada entre la válvula y el codo.
- Enrosque un codo de 90° en la válvula de agua.
- No ajuste el codo en exceso. El soporte de la válvula de agua se podría inclinar o el accesorio de la válvula de agua se podría romper.
- Posicione el extremo del codo de modo que mire hacia la parte trasera del lavavajillas.



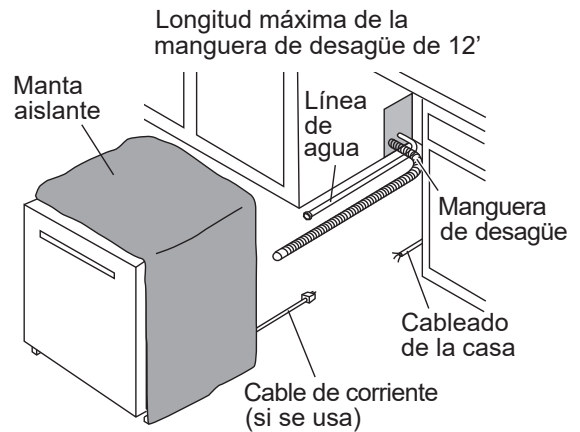
PASO 6 POSICIONE LA LÍNEA DE AGUA Y EL CABLEADO DE LA CASA

- Posicione la línea de suministro de agua y el cableado de la casa sobre el piso de la abertura, a fin de evitar interferencias con la base del lavavajillas y los componentes debajo del mismo.



PASO 7 INSTALE LA MANGUERA DE DESAGÜE A TRAVÉS DEL GABINETE

- Coloque el lavavajillas de forma erguida y posicione el mismo frente a la abertura del gabinete. Inserte la manguera de desagüe en el agujero lateral del gabinete. Si se usa un cable de corriente, guíe el extremo a través de un agujero del gabinete separado.



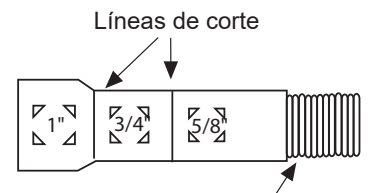
Consejo: Evite llamadas innecesarias al servicio técnico con relación al llenado, desagüe o ruidos.

Posicione las tuberías de los servicios de modo que no interfieran con nada debajo o detrás del lavavajillas.

PASO 8 CONECTE LA LÍNEA DE DESAGÜE

El extremo moldeado de la manguera de desagüe coincidirá con puertos de entrada de 5/8" a 1" de diámetro en la brecha de aire, la T de desechos o el eliminador de desechos.

- Determine el tamaño del puerto de entrada.
- Corte el conector de la manguera de desagüe en la línea marcada, si se requiere, para que coincida con el puerto de entrada.



IMPORTANTE: NO corte la parte coarugada de la manguera

- Use el prolongador de la manguera de drenaje provisto y conecte el mismo al bucle de drenaje ya adherido a la unidad. Asegure la conexión con las abrazaderas para manguera a la manguera de desagüe con bolso de usuario provista.

Abrazadera de la Manguera



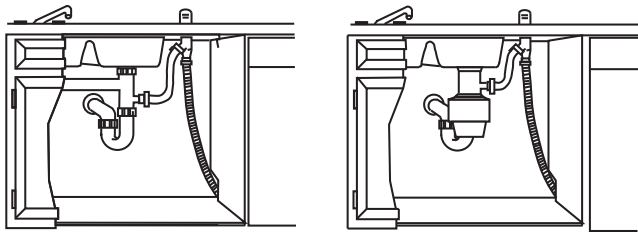
- **LA ALTURA DE LA CONEXIÓN DEL DRENAJE NO DEBE EXCEDER LAS 72" SOBRE LA PARTE INFERIOR DEL LAVAVAJILLAS.**
- **LA LONGITUD TOTAL DE LA MANGUERA DE DESAGÜE NO DEBERÁ SUPERAR LOS 12 PIES PARA UN FUNCIONAMIENTO ADECUADO DEL DESAGÜE.**

Instalación del Lavavajillas

PASO 8 CONECTE LA LÍNEA DE DESAGÜE (CONT.)

- Conecte la línea de desagüe a la brecha de aire, la T de desechos o el eliminador de desechos, usando el método determinado previamente. Asegure la manguera con una clavija tipo tornillo.

Método 1 – Brecha de aire con T de desechos o el eliminador de desechos

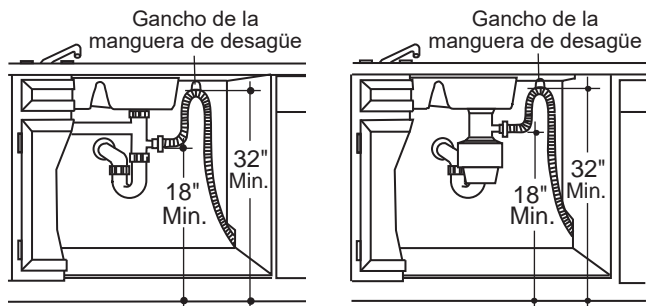


Instalación del eliminador de desechos

Instalación de la T de desechos

Método 2 – “Bucle de desagüe alto” con T de desechos o el eliminador de desechos

Asegure la manguera de desagüe a la parte inferior de la mesada con un gancho.

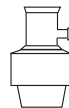


Instalación de la T de desechos

Instalación del eliminador de desechos

IMPORTANTE – Either one of the above methods must be used or dishwasher will not operate properly.

IMPORTANTE – Al conectar la línea de desagüe al eliminador de desechos, asegúrese de que el enchufe del desagüe haya sido retirado. **EL LAVAVAJILLAS NO HARÁ EL DESAGÜE SI EL ENCHUFE ESTÁ COLOCADO.**



Retire el enchufe del desagüe

Consejo: Evite cargos innecesarios del servicio técnico debido a reclamos por falta de desagüe.

Asegúrese de que la manguera de desagüe haya sido pasada por la abertura del gabinete. Esto evitará que el exceso de manguera en la cavidad del lavavajillas sea retorcido o aplastado por el lavavajillas.

PASO 9 INSTALE LOS SOPORTES DE MONTAJE

Necesitará los soportes de montaje y 4 de los tornillos con cabeza Phillips guardados en la sección de **PREPARACIÓN**.

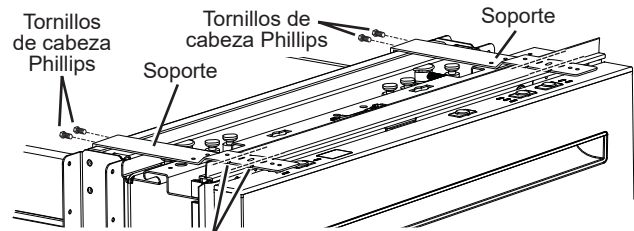
Deberá instalar los soportes de montaje en la parte superior O en los laterales de la estructura de la tubería del lavavajillas, antes de deslizar el lavavajillas hasta su ubicación debajo de la mesada. Los soportes de montaje cuentan con varias posiciones de adherencia disponibles para ubicar diferentes construcciones de gabinetes.

OPCIÓN DE MONTAJE SUPERIOR

Instale los soportes de montaje en la parte superior si el lado inferior de la mesada es de madera o de un material similar que acepte la colocación de tornillos:

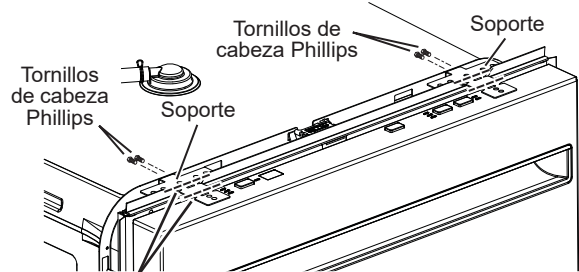
IMPORTANTE - Luego de instalar los soportes y antes de cerrar la puerta del lavavajillas, ajuste los soportes inclinando los mismos según sea necesario, de modo que no tengan contacto con la parte superior de la puerta del lavavajillas y ocasionen daños.

Montaje Superior para los Modelos de 18” Únicamente



Incline y divida las ranuras de la abertura de los soportes (si es/según sea necesario) a ambos lados luego de la instalación, si la parte saliente de la mesada es corta.

Montaje Superior para los Modelos de 24” Únicamente



Incline y divida las ranuras de la abertura de los soportes (si es/según sea necesario) a ambos lados luego de la instalación, si la parte saliente de la mesada es corta.

- Si instalará el lavavajillas debajo de una mesada cuya parte saliente es corta, los soportes de la mesada se podrán extender más allá del extremo de la mesada. Si éste es el caso, retire la longitud excesiva inclinando de forma repetida los soportes de la ranura frontal, sólo hasta que se dividan.

Instalación del Lavavajillas

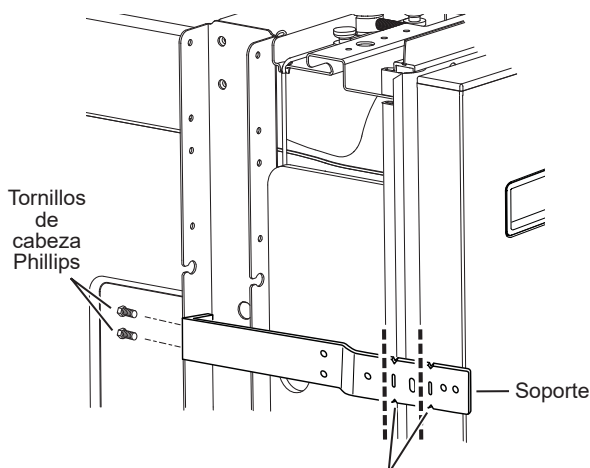
PASO 9 INSTALE LOS SOPORTES DE MONTAJE (SUITE)

OPCIÓN DE MONTAJE LATERAL

Instale los soportes de montaje en los laterales si la mesada es de granito o de un material similar que no acepte tornillos de madera:

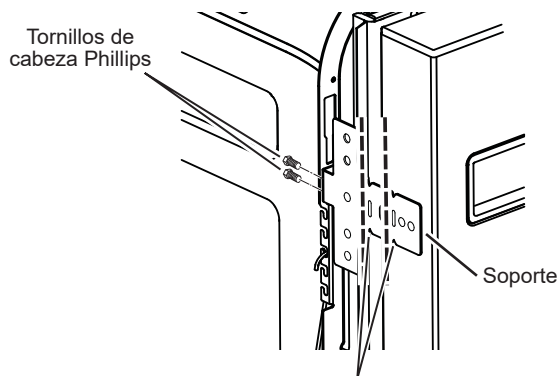
- Quiebre la parte frontal de la lengüeta con una tijera en la ubicación mostrada, antes de la adhesión al lavavajillas.
- Posicione el soporte del lado izquierdo como se muestra. Repita este paso con el soporte derecho.

Montaje Lateral para los Modelos de 18" Únicamente



Incline y divida las ranuras de la abertura en los soportes (si es/ según sea necesario) a ambos lados antes de la instalación.

Montaje Lateral para los Modelos de 24" Únicamente



Incline y divida las ranuras de la abertura en los soportes (si es/ según sea necesario) a ambos lados antes de la instalación.

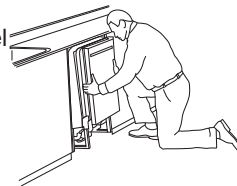
PASO 10 DESLICE EL LAVAVAJILLAS PARCIALMENTE EN EL GABINETE

IMPORTANTE – No lo empuje contra el panel frontal con las rodillas. Se producirán daños.

- Tome los laterales del panel frontal y deslice el lavavajillas en la abertura de a pocas pulgadas por vez.



No lo empuje contra el panel de la puerta frontal con la rodilla. Se producirán daños sobre el panel de la puerta.



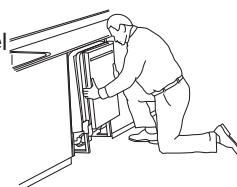
- Al proceder, empuje la manguera de desagüe a través de la abertura debajo del lavabo. Deje de empujar cuando el lavavajillas se extienda unas 6 pulgadas hacia adelante de los gabinetes adyacentes.
- Asegúrese de que la manguera de desagüe no esté retorcida debajo o detrás del lavavajillas.
- Asegúrese de que el cableado de la casa, la línea de desagüe y la línea de agua no interfieran con los componentes que se encuentran debajo del lavavajillas.

PASO 11 POSICIONE EL LAVAVAJILLAS DEBAJO DE LA MESADA

- Empuje el lavavajillas dentro del gabinete.
- Empuje los laterales con las manos. No use la rodilla contra la puerta, ya que esta última será dañada.



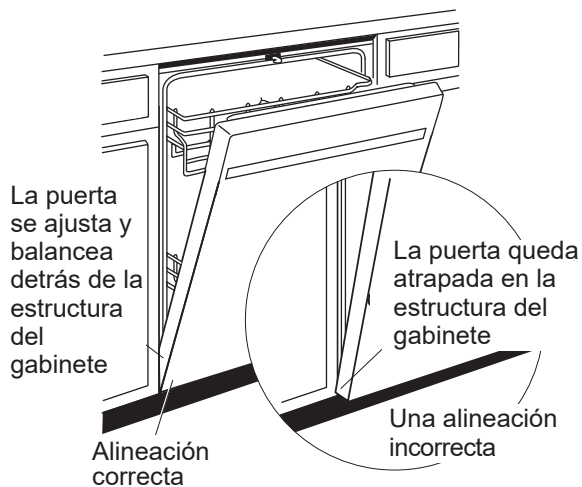
No lo empuje contra el panel de la puerta frontal con la rodilla. Se producirán daños sobre el panel de la puerta.



- Controle que la manta del aislante de la tubería no quede "presionada" ni interfiera con los resortes a medida que desliza la misma dentro del gabinete.
- Centre el lavavajillas en la abertura.
- El frente del panel de la puerta deberá estar nivelado con la cara del gabinete.
- De forma cuidadosa, abra y cierre la puerta para asegurarse de que el panel de la puerta no quede atrapado con ni sea frotado sobre la estructura del gabinete.
- Si la puerta queda atrapada contra o es frotada sobre la estructura, reposicione y/o nivele la unidad (consulte el Paso 14) hasta que la puerta se mueva libremente y no tenga contacto con la estructura del gabinete.

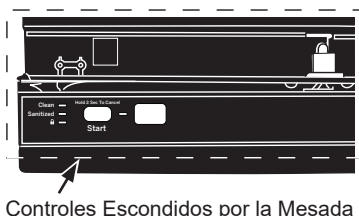
Instalación del Lavavajillas

PASO 11 POSICIONE EL LAVAVAJILLAS DEBAJO DE LA MESADA (CONT.)



VISTA SUPERIOR

Los controles de estos modelos fueron diseñados para quedar escondidos detrás la mesada. Alinee el lavavajillas como se muestra en la figura.



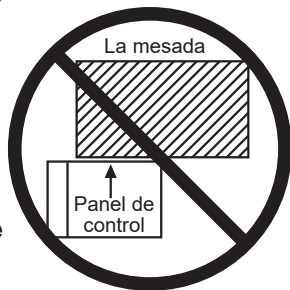
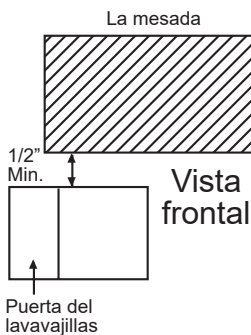
Deje un espacio mínimo de 1/2" entre la parte inferior de la mesada y la parte superior de la puerta del lavavajillas como se muestra en la figura.

NOTA: Si la manguera de drenaje queda atrapada detrás de la unidad, podrá evitar que los controles sean escondidos por la mesada.

Consejo: Las patas niveladoras podrán ser usadas para incrementar o reducir la cantidad de espacio entre los controles y la mesada, afectando la visibilidad de los controles.

IMPORTANTE – Deje un espacio mínimo de 1/2" entre los controles y la parte inferior de la mesada, a fin de evitar la condensación y daños sobre el panel de control con las cabezas de los tornillos.

NOTA: Si este lavavajillas está reemplazando a un lavavajillas existente, es posible que los antiguos agujeros de los tornillos del soporte de la mesada no estén en la posición correcta para aceptar un modelo con control superior. Es posible que se requieran nuevos agujeros.



PASO 12 CONEXIÓN AL SUMINISTRO DE AGUA

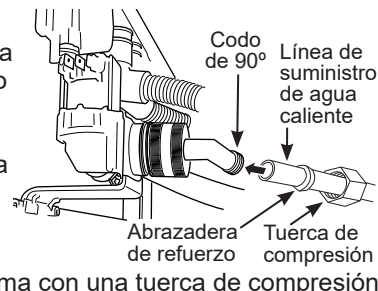
Conecte la línea de suministro de agua al codo de 90°.

Si usará una conexión con una manguera trenzada flexible:

- Ajuste la tuerca al codo de 90° usando una llave ajustable.

Si usará una conexión a una tubería de cobre:

- Deslice la tuerca de compresión y luego una abrazadera de refuerzo sobre el extremo de la línea de agua.
- Inserte la línea de agua en el codo de 90°.
- Deslice la abrazadera de refuerzo contra el codo y asegure la misma con una tuerca de compresión.



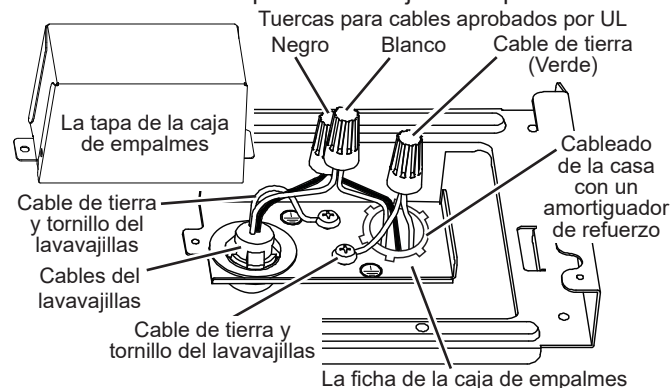
PASO 13 CONECTE EL SUMINISTRO DE CORRIENTE

Si un cable de corriente con un enchufe ya está instalado, proceda al Paso 14.

▲ ADVERTENCIA Si el cableado doméstico no cuenta con un cable de 2 hilos con conexión a tierra, un instalador debe realizar una conexión a tierra. Cuando el cableado doméstico es de aluminio, asegúrese de usar un compuesto antioxidante y conectores de aluminio a cobre aprobados or UL.

- Retire la tapa de la caja de empalmes.
- Asegure el cableado de la casa a la parte trasera de la caja de empalmes con un amortiguador de refuerzo.
- Ubique los 3 cables del lavavajillas (blanco, negro y verde) con los extremos con tiras que sobresalen del puente de CA. Use tuercas para cables aprobados por UL que sean del tamaño apropiado para conectar el cable de tierra entrante al verde, el blanco al blanco y el negro al negro.
- Reemplazar la tapa de la caja de empalmes usando un tornillo. Asegúrese de que los cables no sufran cortes debajo de la tapa.
- Si usará un Kit de Cables de Corriente, utilizar el número de pieza GE Appliances **WX09X70910** o **WX09X70911** y consulte las instrucciones incluidas.

NOTA: No retire el soporte de la caja de empalmes.



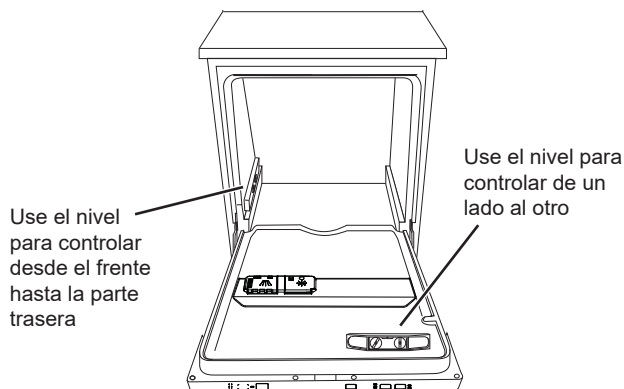
NOTA: Todos los tornillos, soportes y cables de conexión a tierra deben permanecer intactos.

Instalación del Lavavajillas

PASO 14 NIVELE EL LAVAVAJILLAS

IMPORTANTE – El lavavajillas deberá estar nivelado para un funcionamiento apropiado del estante de los platos, el rendimiento del lavado y el funcionamiento de la puerta. El lavavajillas deberá estar nivelado de izquierda a derecha y del frente a la parte trasera.

- Asegúrese de que se mantenga un espacio mínimo de 1/2" debajo de la mesada.
- Retire el estante de platos inferior y coloque un nivel en la puerta y en la línea deslizante del estante inferior en la figura.

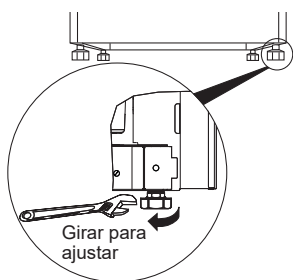


- Si el lavavajillas no está nivelado, ajuste las cuatro patas niveladoras de forma individual.

Consejo: Evite cargos innecesarios del servicio técnico. Verifique que el lavavajillas esté nivelado.

Empuje los estantes de los platos hacia afuera hasta la mitad de su recorrido. Deberían permanecer fijos. Abra y cierre la puerta. La puerta debería ajustarse en la abertura de la tubería, sin golpear el costado de esta última. Si los estantes giran por sí solos, o si la puerta golpea el costado de la tubería, vuelva a nivelar el lavavajillas.

IMPORTANTE – Luego de la nivelación, verifique que el lavavajillas aún se encuentre en la posición correcta como se muestra en el Paso 11.



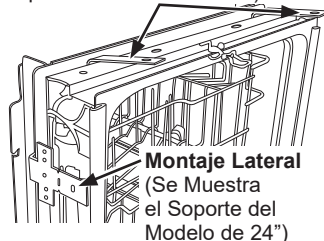
PASO 15 POSICIONE EL LAVAVAJILLAS, ASEGURE EL MISMO A LA MESADA O EL GABINETE

En este paso, necesitará los 2 tornillos restantes con cabeza Phillips de los tornillos que separó en la sección de **PREPARACIÓN**. El lavavajillas deberá estar asegurado a la mesada o a los costados del gabinete.

Cuando la parte inferior de la mesada sea de Madera, use el **Método 1 (Montaje de la Mesada)**.

Use el **Método 2 (Montaje Lateral)** cuando la parte inferior de la mesada sea de un material tal como granito, el cual no acepta tornillos de madera.

Montaje de la Mesada (Se Muestra el Soporte del Modelo de 18")



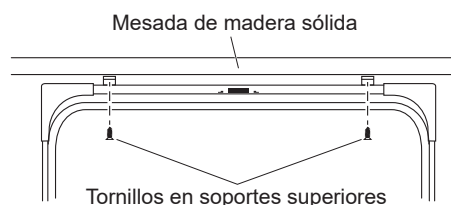
PASO 15 POSICIONE EL LAVAVAJILLAS, ASEGURE EL MISMO A LA MESADA O EL GABINETE (CONT.)

IMPORTANTE – Evite daños sobre el panel de la puerta y el panel de control. El lavavajillas deberá estar posicionado de modo que el panel frontal y el panel de control no tengan contacto con los gabinetes adyacentes o la mesada. Los tornillos de montaje deberán ser colocados de forma recta. Las cabezas salientes de los tornillos podrían rayar el panel de la puerta o el panel de control e interferir con el funcionamiento de la puerta.

Método 1

Asegure el lavavajillas sobre la parte inferior de la mesada de madera.

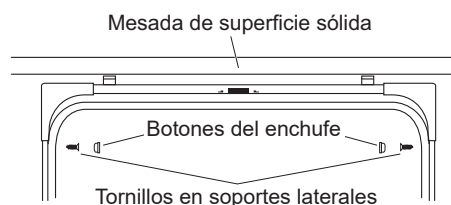
- Ajuste el lavavajillas a la parte inferior de la mesada con 2 tornillos de cabeza Phillips. Consulte la figura. Asegúrese de que los tornillos estén colocados de forma recta para evitar daños sobre el pañel.



Método 2

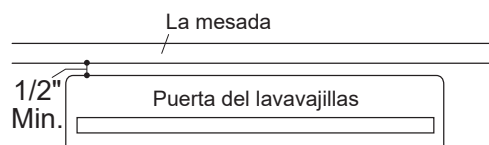
Asegure el lavavajillas a los costados del gabinete.

- Retire los botones del enchufe del cubo. No los descarte.
- Ajuste el lavavajillas a los gabinetes adyacentes con los 2 tornillos de cabeza Phillips provistos. Consulte la figura. Asegúrese de que los tornillos estén colocados de forma recta para evitar daños sobre el pañel.
- Reinstale los botones del enchufe.



- Vuelva a controlar que el lavavajillas esté en ángulo recto y nivelado tanto en la parte superior como en la parte inferior de la abertura del gabinete, sin torceduras ni distorsión de la tubería o de la puerta, luego de montar los gabinetes/mesada. Haga ajustes si es necesario.
- Confirme que todas las patas niveladoras tengan contacto con el piso, a fin de evitar que el lavavajillas se balancee y para asegurar un funcionamiento adecuado de la puerta y la traba and latch operation.

Ambos métodos



- Una vez completado este paso, cierre la puerta del lavavajillas y verifique que el espacio entre la mesada y la parte superior de la puerta del lavavajillas sea de por lo menos 1/2".

Instalación del Lavavajillas

PASO 16 LISTA DE CONTROL DE EVALUACIÓN PREVIA

Revise esta lista luego de instalar el lavavajillas, a fin de evitar cargos por llamadas al servicio técnico, las cuales no están cubiertas por su Garantía.

- Asegúrese de que el encendido esté en APAGADO.
- Abra la puerta y retire toda la gomaespuma y el papel de embalaje.
- Ubique el Manual del Propietario.
- Para acceder a instrucciones de uso, consulte el Manual del Propietario.
- Controle la apertura y cierre de la puerta. Si la puerta no se abre y cierra libremente, verificar los ajustes de primavera apropiados. Si la puerta se cae o cierra al ser liberada, ajuste la tensión del resorte. Consulte el Paso 1.
- Asegúrese de que el cableado esté asegurado debajo del lavavajillas, sin cortes ni en contacto con resortes de la puerta u otros compartimientos. Consulte el Paso 13.
- Controle la alineación de la puerta con la tubería. Si la puerta golpea la tubería, nivele el lavavajillas. Consulte el Paso 14.
- Controle la alineación de la puerta con el gabinete. Si la puerta golpea el gabinete, reposicione el lavavajillas. Consulte el Paso 11.
- Controle que el resorte de la puerta no tenga contacto con la línea de agua, la manguera de llenado, el cableado u otros componentes. Consulte los Pasos 10 y 11.
- Verifique que el suministro de agua y las líneas de desagüe no estén retorcidas ni en contacto con otros componentes. El contacto con el motor o la estructura del lavavajillas podría generar ruidos. Consulte los Pasos 10 y 11.
- Abra el grifo de agua caliente del lavabo y verifique la temperatura del agua. La temperatura del agua entrante deberá ser de entre 120°F y 140°F. Se requiere una temperatura mínima de 120°F para un mejor rendimiento del lavado. Consulte la "PREPARACIÓN DE LA LÍNEA DE AGUA CALIENTE".
- Agregue 2 cuartos de agua a la parte inferior del lavavajillas, a fin de lubricar la junta de la bomba.
- Active el suministro de agua. Controle que no haya pérdidas. De ser necesario, ajuste las conexiones.
- Retire la película protectora si se encuentra presente en el panel de control y la puerta.
- Evite el costo de llamadas al servicio técnico, asegurándose de que haya un espacio de aire o que la manguera de drenaje esté conducida a través de la altura mínima requerida de 32". Consulte el Paso 8.

PASO 17 CONTROLE LO SIGUIENTE

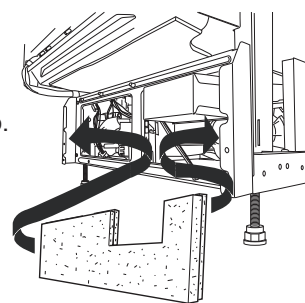
- El lavavajillas es cuadrado y está nivelado tanto en la parte superior como en la inferior de la abertura del gabinete, sin retorcimiento ni distorsión de la tina o de la puerta.
- Las 4 patas del lavavajillas están apoyadas de manera firme contra el suelo.
- La manguera de drenaje no tiene torceduras entre el lavavajillas y los gabinetes o paredes adyacentes.

PASO 18 PRUEBA DE MOJADO DEL LAVAVAJILLAS

- Active la corriente y enchufe el cable de corriente en el tomacorriente, si está equipado de este modo.
- Seleccione un ciclo y presione el botón **Start** (Iniciar).
- Cierre la puerta del lavavajillas. El lavavajillas se debería iniciar.
- Asegúrese de que el agua entre al lavavajillas. Si no entra agua al lavavajillas, asegúrese de que el agua y la corriente estén activadas.
- Controle que no haya pérdidas debajo del lavavajillas. Si encuentra una gotera, apague la corriente desde el disyuntor, y luego ajuste las conexiones del agua. Reinicie la corriente una vez que la pérdida sea corregida.
- Controle que no haya goteras alrededor de la puerta. Una gotera alrededor de la puerta podría ser ocasionada por frotación con la puerta o golpes contra gabinetes adyacentes. De ser necesario, reposicione el lavavajillas. Consulte el Paso 11.
- Abra la puerta del lavavajillas. Mantenga presionado el botón **Start** (Iniciar), hasta que la luz que se encuentra junto a la tecla se apague, para cancelar el ciclo. Cierre la puerta del lavavajillas. La unidad comenzará a realizar el desagüe. Controle las líneas de desagüe. Si se encuentran pérdidas, corte la corriente desde el disyuntor y corrija los problemas de la plomería, según sea necesario. Reinicie la corriente una vez realizadas las correcciones. Consulte los Pasos 7 y 8.
- Abra la puerta del lavavajillas y asegúrese de que toda el agua sea desagotada. De no ser así, controle que el cable del eliminador de desechos haya sido retirado y/o que la brecha de aire no esté enchufada. También controle la manguera de desagüe para asegurar que no esté retorcida debajo o detrás del lavavajillas. Consulte el Paso 8.
- Presione el botón **Start** (Iniciar) una vez más y haga funcionar el lavavajillas en otro ciclo. Controle que no haya goteras y corrija las mismas de ser necesario.
- Repita estos pasos según sea necesario.

PASO 19 REEMPLACE EL ZÓCALO

- Instale el aislante del zócalo (en modelos de 18" únicamente) colocando los extremos del aislante en los soportes izquierdo y derecho. El aislante deberá ser instalado debajo del cubo.
- Coloque la pieza interna del zócalo (con ranuras) contra el soporte del zócalo. Las ranuras deberán quedar alineadas con el zócalo.



Consejo: Reduzca el sonido debajo del lavavajillas. Asegúrese de que el zócalo esté contra la pared.

- Coloque el zócalo más grande sobre la pieza interna e instale los 4 tornillos del zócalo.
- Use ambas piezas del zócalo para todas las alturas de instalación.

