

FCM16SL

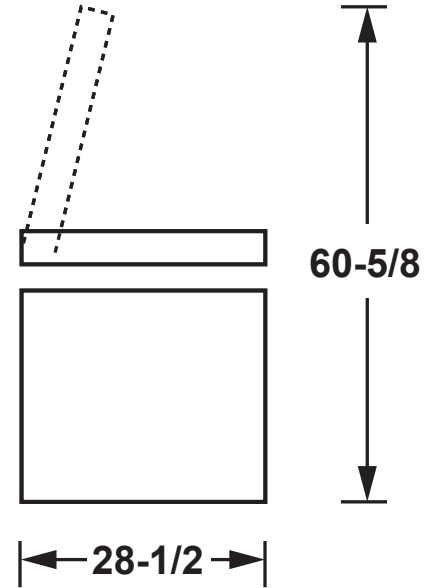
GE® 15.6 Cu. Ft. Manual Defrost Chest Freezer

DIMENSIONS AND INSTALLATION INFORMATION (IN INCHES)

AIR CLEARANCE	
Each side (in.)	3
Back (in.)	3



FRONT VIEW



SIDE VIEW



For answers to your Monogram, GE Café™ Series, GE Profile™ Series or GE Appliances product questions, visit our website at geappliances.com or call GE Answer Center® Service, 800.626.2000.



Specification Created 2/18

FCM16SL

GE® 15.6 Cu. Ft. Manual Defrost Chest Freezer

FEATURES AND BENEFITS

Hi Temp indicator light – Alerts you if the temperature rises

LED interior lighting – Automatically illuminates when door is open

2 sliding bulk storage baskets – Offers flexibility to organize and store favorite foods for quick, easy access

Lock with key – Allows you to protect your valuable food items from unintentional entry

Model FCM16SLWW – White

