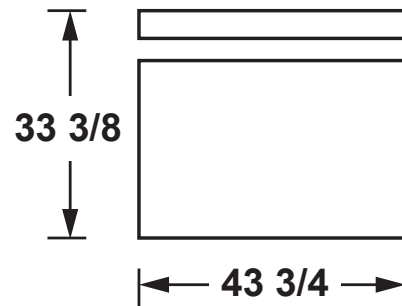


FCM11SR

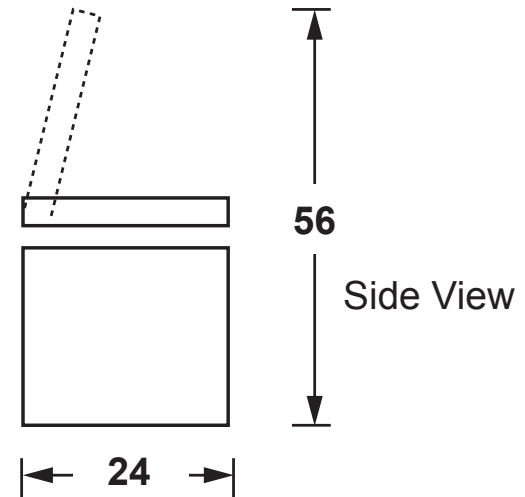
GE 10.7 Cu. Ft. Manual Defrost Chest Freezer

DIMENSIONS AND INSTALLATION INFORMATION (IN INCHES)

AIR CLEARANCE	
Each side (in.)	2
Back (in.)	2



Front View



Side View



For answers to your Monogram, GE Café™, GE Profile™ or GE Appliances product questions, visit our website at geappliances.com or call GE Answer Center® Service, 800.626.2000.



Specification Created 8/21

FCM11SR

GE 10.7 Cu. Ft. Manual Defrost Chest Freezer

FEATURES AND BENEFITS

Garage Ready – GE freezers are tested to perform from 0°F to 110°F

Power Outage Promise – In the event of a power outage, food remains frozen* 48 hours in the freezer (*Temperature 32°F or lower)

The highest rated upright and chest freezer lineup in the industry – Based on aggregated ratings and review data from GEA.com and leading retail websites

Find The Right Fit – Chest and upright freezers come in a variety of sizes to fit your needs

Two Plastic Lift-Out, Sliding Baskets – Offers flexibility to organize and store favorite foods for quick, easy access

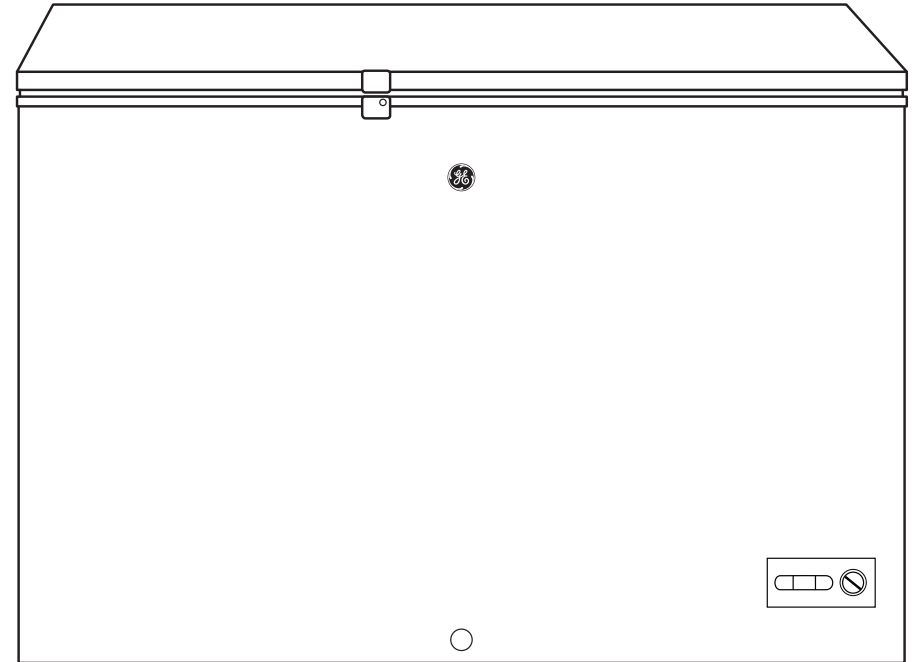
Exterior Power “On” Light – Easily see if the freezer is working without having to open the door

Adjustable Temperature Control – Easy to use controls to select the temperature for your needs

LED Interior Lighting – Interior lighting automatically illuminates when door is open

Manual Defrost – Manually defrost the freezer on your schedule

Model FCM11SR – White



For answers to your Monogram, GE Café™, GE Profile™ or GE Appliances product questions, visit our website at geappliances.com or call GE Answer Center® Service, 800.626.2000.



Specification Created 8/21