

# DW80R9950

SAMSUNG

## Samsung Linear Wash 39 dBA Dishwasher



### Signature Features

#### Linear Wash System

- AquaBlast™ jets provide corner to corner coverage for superior cleaning.


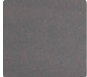

#### Whisper Quiet Cleaning

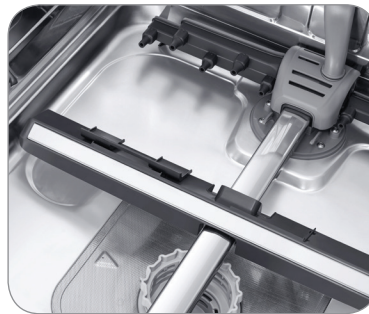
- Less noise and less disturbance with virtually silent wash cycles at 39 dBA.

#### AutoRelease™ Door

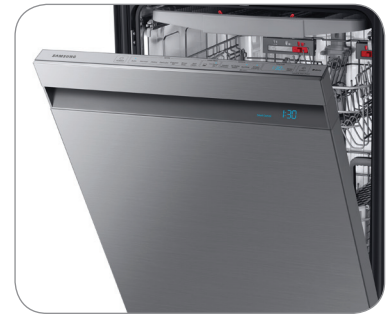
- At the end of a cycle, the door automatically opens to circulate air and improve drying performance.

### Available Colors

-  Fingerprint Resistant Stainless Steel (shown)
-  Fingerprint Resistant Black Stainless Steel
-  Fingerprint Resistant Tuscan Stainless Steel



Linear Wash System



AutoRelease™ Door

### Features

- Flexible 3rd Rack
- Fingerprint Resistant Stainless Finish
- Zone Booster™
- Touch Control
- Quiet Operation: 39 dBA
- Wi-Fi Connectivity
- 7 Wash Cycles
- 8 Options
- Half-Load Cycle
- Express Cycle: 60 Minutes
- One-Touch Adjustable Racking System
- Full Stainless Steel Interior
- 15 Place Settings
- 3 Spray Wash Arms (Upper, Middle, Lower)

### Convenience

- LED Time Display
- Control Lock
- Delay Start
- Digital Leak Sensor

### Rating

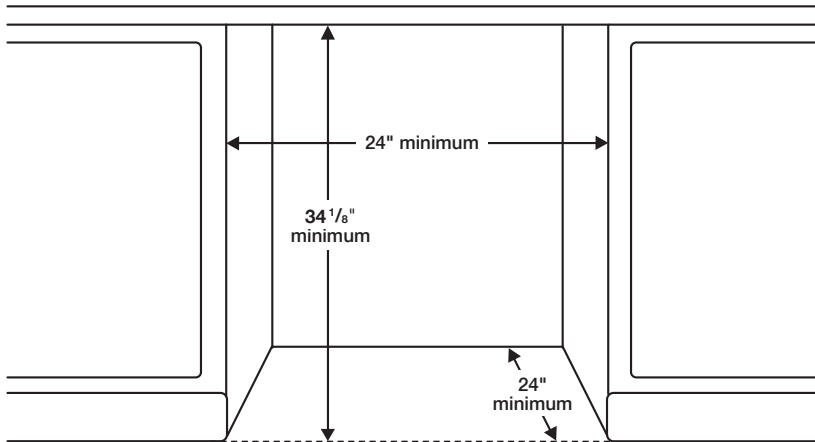
ENERGY STAR®-rated:  
239 kWh/yr

# DW80R9950

SAMSUNG

## Samsung Linear Wash 39 dBA Dishwasher

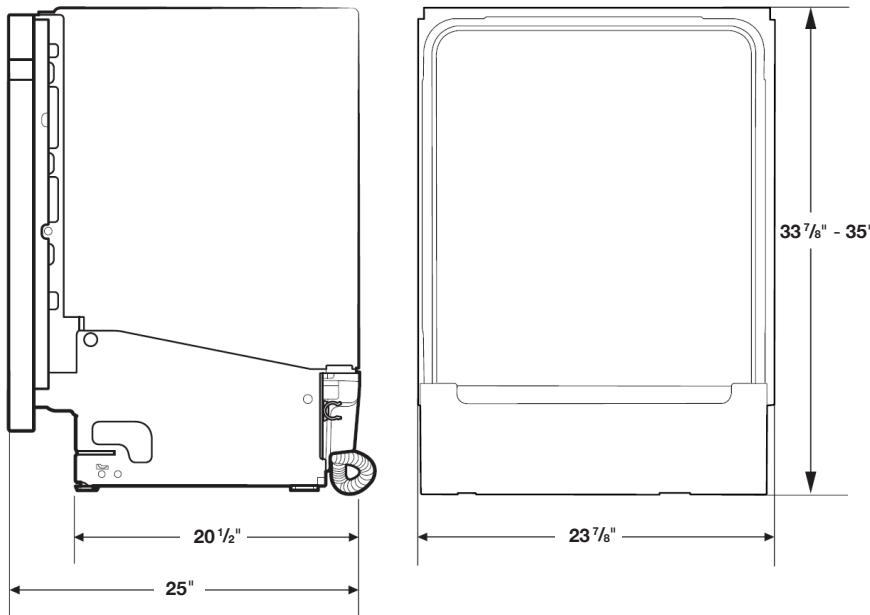
### Installation Specifications



### Dimensions

Side View

Rear View



### Features

- 7 Wash Cycles: Auto, Normal, Heavy, Delicate, Express 60, Rinse Only, Self Clean
- 8 Options: Half-Load Wash (Lower Rack), Zone Booster™ (Left), Speed Booster, Hi-Temp Wash, Sanitize (Anti-bacterial – NSF), Delay Start, Control Lock, Smart Control (Wi-Fi App)
- AutoRelease™ Door
- Hidden Heat Element
- Stainless Steel Interior Tub

### Convenience

- Control Lock
- Digital Water Leakage Sensor
- Flexible Third Rack
- One-Touch Adjustable Racking System
- Silverware Basket
- Upper Rack: Foldable Cup Shelves, 2 Adjustable Tines
- Lower Rack: Fold-Down Tines

### Warranty

One (1) Year All Parts and Labor

Five (5) Year Limited on Printed Circuit Board and Interior Nylon Racks

### Product Dimensions & Weight (WxHxD)

Dimensions (height is adjustable):

23<sup>7</sup>/<sub>8</sub>" x 33<sup>7</sup>/<sub>8</sub>" - 35" x 25"

Weight: 95 lbs

### Shipping Dimensions & Weight (WxHxD)

Dimensions:

26" x 34<sup>3</sup>/<sub>4</sub>" x 29<sup>3</sup>/<sub>4</sub>"

Weight: 101 lbs

Color	Model #	UPC Code
Fingerprint Resistant Stainless Steel	DW80R9950US	887276296647
Fingerprint Resistant Black Stainless Steel	DW80R9950UG	887276296623
Fingerprint Resistant Tuscan Stainless Steel	DW80R9950UT	887276320137