

# Diamante

a brilliantly cut gem

# Designer Collection

- wall canopy rangehood
- sleek styling
- 600 cfm PRO motor
- Silent Kit noise reduction
- halogen lights with dimmer
- 4 Speed LED display control
- 30 minute auto off timer
- stainless steel baffle filters
- modified pro depth
- convertible to ductless\*
- Easy Cube mounting system
- some range: 3.5 - 6.5
- 6" round duct
- Uses 25% less energy than previous model



**FABER**

ON AIR. SINCE 1955

\* it is highly recommended that professional style cooking always be vented to the outside.

A streamlined shape combined with traditional styling makes the Diamante an updated alternative in canopy ventilation. To add subtle sparkle, the corners of the canopy and the chimney are angled in a diamond-like cut.



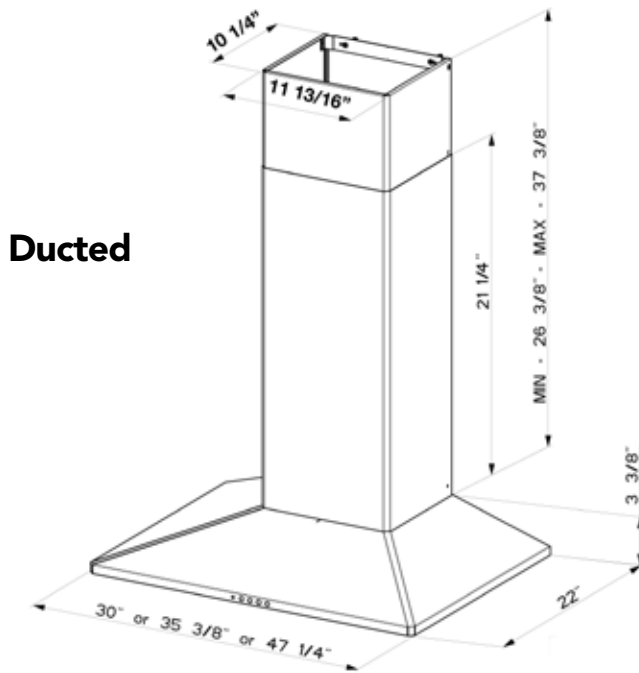
Size   Color	Model #
30 Stainless	DIAM30SS
36 Stainless	DIAM36SS
48 Stainless	DIAM48SS



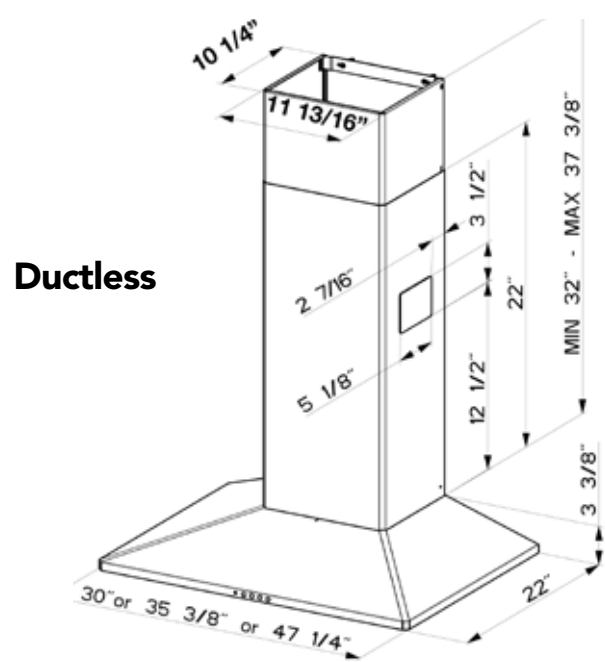
**NOW WITH A NEW LED DISPLAY WITH ELECTRONIC TOUCH CONTROLS, 2 LEVEL LIGHTING, 30 MINUTE AUTO SHUT OFF, AND 10 MINUTE INTENSIVE SPEED CONTROL**

- a** **High Ceiling Chimney Kit**
- c** One 40" upper chimney to replace 16 1/8" upper chimney that came with hood
- c** Stainless                      HIGHDIAM
- e**
- s** **Ductless Conversion Kit**
- s** Includes: • Lower Chimney with holes for ducting • Ductless Diverter Assembly • Vent Grates
- o** • Charcoal Filter
- r** Stainless                      DUCTDIAM
- i** **Replacement Charcoal Filter**
- e**                                      FILTER2
- s**

# Dimensional Diagrams

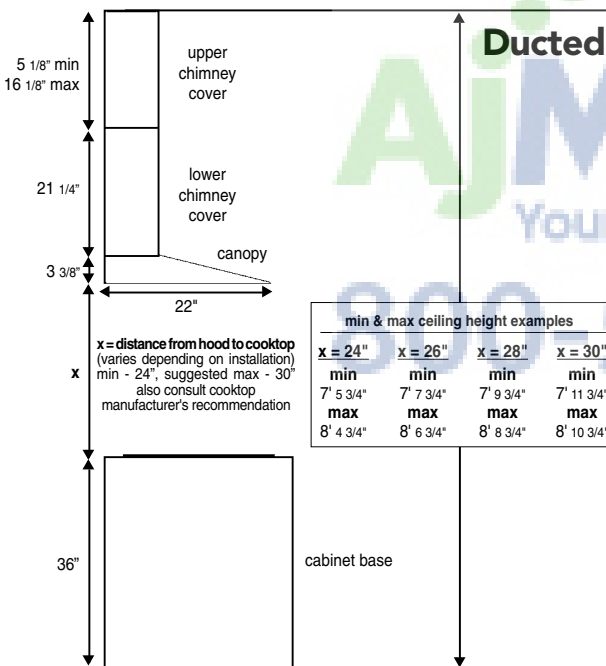


**Ducted**



**Ductless**

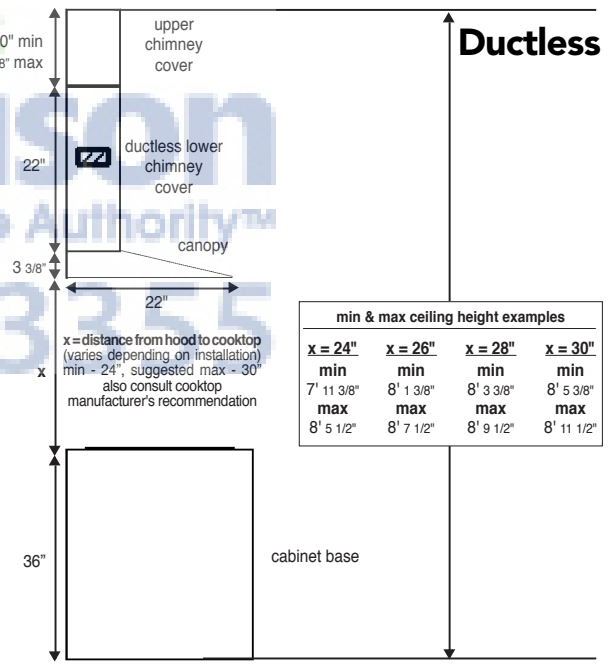
**Pre-Planning Your Installation - Important:** Consult the installation instructions before you begin installing this rangehood.



For ducted installations, the chimneys can be adjusted for ceilings between 7' 5 3/4" and 8' 10 3/4" depending on the distance between the bottom of the hood and the cooktop (**distance x in Ducted diagram**).

For ductless installations, the chimneys can be adjusted for ceilings between 7' 11 3/8" and 8' 11 1/2" depending on the distance between the bottom of the hood and the cooktop (**distance x in Ductless diagram**).

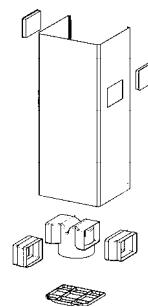
For shorter ceilings, have the chimney cover(s) cut at a sheet metal shop. For higher ceiling installations, the **High Ceiling Chimney Kit** includes a new 40" upper chimney which would replace the 16 1/8" upper chimney that came with the hood.



**Pre-Planning Your Installation - Important:** Consult the installation instructions before you begin installing this rangehood.

Make your ductrun as straight and short as possible. The ductrun should not exceed 35 equivalent feet if ducted with the required minimum of 6" round duct. Count 45° angles as 3 feet, 90° elbows as 5 feet, and 90° flat elbows as 12 feet.

**For best results, use no more than three 90° elbows. Make sure that there is a minimum of 24" of straight duct between elbows if more than one is used. Do not install two elbows together. If you must elbow right away, do it as far away from the hood's exhaust opening as possible.**



## Ductless Installations\*

For installations where ductwork is impossible or highly impractical, a **Ductless Conversion Kit** is available. A charcoal filter, which attaches under the blower assembly, absorbs smoke and odors. A ductless diverter assembly directs the air out to a lower chimney with vent grates cut into the sides.

**\* it is highly recommended that professional style cooking always be vented to the outside.**

**WARNING!** Product specifications are subject to change without notification. Consult the installation instructions before you begin installing this rangehood.