

Built-In Microwave/Convection Oven

CWB713P2NS1

CAFÉ

DISTINCT BY DESIGN™



FEATURES & BENEFITS

More room for more food - Entertaining unexpected guests is easy with the 1.7 cu. ft. capacity that helps prepare a large amount of food quickly

A microwave that's as versatile as you are - Achieve crisp, golden brown results with a convection cooking setting and a special rack that allows air to circulate around foods for even heat distribution

Delicious results in no time at all - Enjoy oven-quality results in mere minutes with a fast cook setting that combines convection and microwave cooking technology

A simple and smart addition to your culinary repertoire - Fresh vegetables and rice are perfectly prepared with a steam cook button that simplifies the entire process

Quick control and effortless cleaning - Easily choose a setting on your convection microwave using sleek glass touch controls that are simple to navigate and wipe clean

Cook your way with just one touch of a button - Enjoy the convenience of one-touch cooking with My Cycle, a custom cycle that remembers the exact time and temperature settings of your favorite foods

Prepare and preserve the freshest meals - Let bread rise naturally and keep entrées hot and ready with a warming and proofing oven that ensures fresh results, regardless of when you sit down to eat

APPEARANCE

Color Appearance	Stainless Steel
Handle	Yes

FEATURES

Control Type	Glass Touch
Cooking Technology	Convection
Microwave Watts (IEC-705)	975 W
Power Levels	10
Convection Cooking Controls	Combination Fast Cook; Convection Bake/Broil; Warm/Proof
Microwave Sensor Cooking Controls	Auto Cook; Popcorn; Steam Cook
Microwave Convenience Cooking Controls	Time Cook; Defrost: Weight/Time
Control Features	Start/Pause; Cancel/Off; Control Lock; Power; Timer On/Off; Clock; Add 30 Seconds; Back; Settings; Cooking Complete Reminder; Demo Mode
Microwave Oven Interior	Stainless Steel
Electronic Digital Display with Clock	Yes
Interior Oven Light	Halogen
Rack Type	Removable Oven Rack - Pedestal
Turntable	Glass
Turntable Size	16.0 in

CAPACITY

Total Capacity (cubic feet)	1.7 cu ft
-----------------------------	-----------

POWER / RATINGS

Electrical Input - 120V Amperage	14.0
Electrical Input - 120V Watts	1600
Frequency (MHz)	2450
Input Volts/Hertz	120/60
Voltage (MIN)	120.0 V

WEIGHTS & DIMENSIONS

Approximate Shipping Weight	92 lb
Cabinet Width	30 in
Cavity (W x H x D)	20-1/16 x 8-1/2 x 17
Net Weight	75 lb
Overall Depth	24-3/4 in
Overall Height	19-1/8 in
Overall Width	29-7/8 in

WARRANTY

Parts Warranty	Limited 1-year entire appliance
Labor Warranty	Limited 1-year entire appliance
Warranty Notes	See written warranty for full details

Built-In Microwave/Convection Oven

CWB713P2NS1

CAFÉ

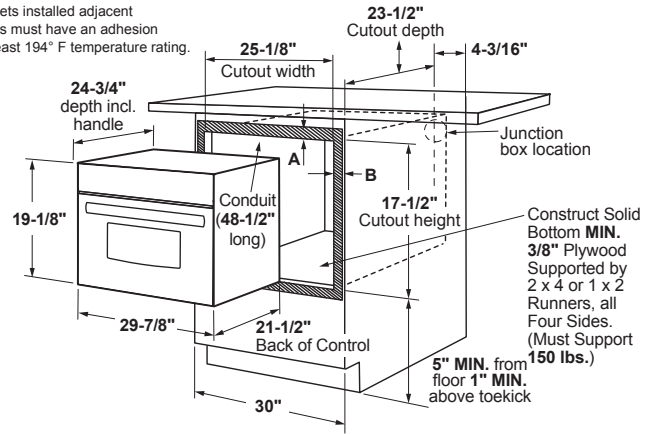
DISTINCT BY DESIGN™

DIMENSIONS AND INSTALLATION INFORMATION (IN INCHES)

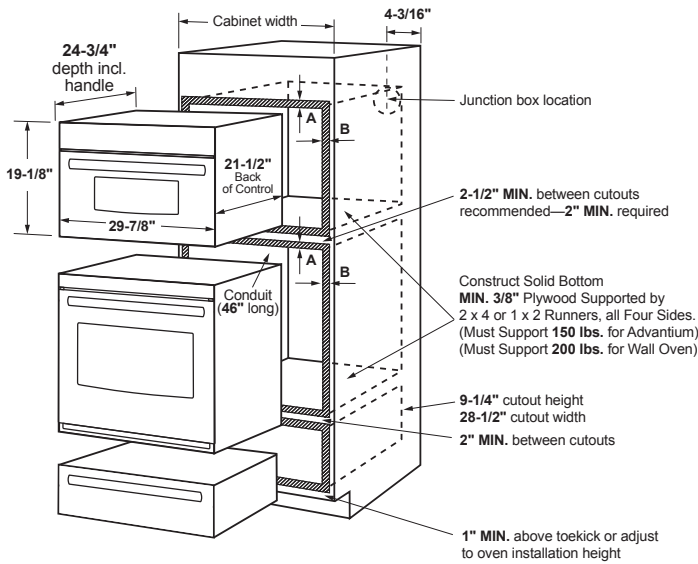
Note: Cabinets installed adjacent to wall ovens must have an adhesion spec of at least a 194°F temperature rating.

INSTALLATION INFORMATION: Before installing, consult installation instructions packed with product for current dimensional data.

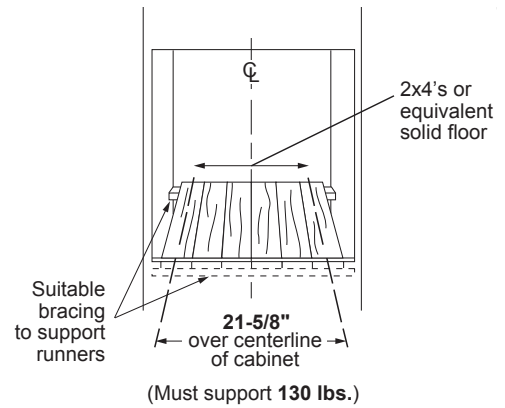
Note: Cabinets installed adjacent to wall ovens must have an adhesion spec of at least 194° F temperature rating.



(Must support 130 lbs.)



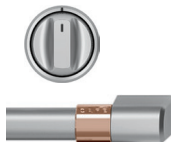
A= Allow 1" overlap of oven over bottom edge of cutout, and allow 1-1/4" overlap at top edge of cutout.
 B= Allow 11/16" - 3/4" for overlap of oven over side edges of cutout.



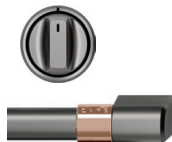
ADDITIONAL ACCESSORIES



CXB30HKPNBZ
Brushed Bronze
1 handle; 1 knob



CXB30HKPNSS
Brushed Stainless
1 handle; 1 knob



CXB30HKPNBT
Brushed Black
1 handle; 1 knob



CXB30HKPNCU
Brushed Copper
1 handle; 1 knob