

CLASSICA PLUS WALL RANGE HOOD

FABER
AIR MATTERS

A NEW CLASSIC CANOPY HOOD WITH ADVANCED FEATURES! The new Classica Plus by Faber features one piece body construction, advanced electronic controls, an optional remote control, energy efficient LED lights. Now available with the VAM system, lock in the CFM you need for your area (295, 395, 600). Classica Plus delivers your choice of performance level in a stylish and traditional chimney style range hood.

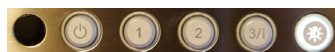


AVAILABLE MODELS

Model #	Size / Color	Set your CFM Level	Sound Levels (sones)
CLPL30SSV	30" Stainless	295, 395, 600 CFM	2.8 - 7.5
CLPL36SSV	36" Stainless	295, 395, 600 CFM	2.8 - 7.5

Note: Set to 600 CFM motor class out of the box.

KEY FEATURES



Backlit Electronic Controls

Backlit electronic controls with a White LED light to indicate the current speed and LED lighting. Now you can adjust CFM's at installation from the control buttons.



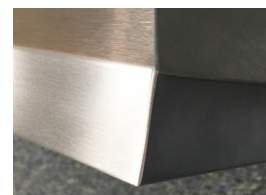
LED Bulbs

Low consumption 1 watt LED bulbs light up your cooking but use very little energy.



Remote Control (optional)

Control all features of the hood from the convenience of a wireless ADA compliant remote control. (sold separately)



One piece body construction

Corners of the Classica Plus are wrapped and polished for a clean look with no sharp edges.

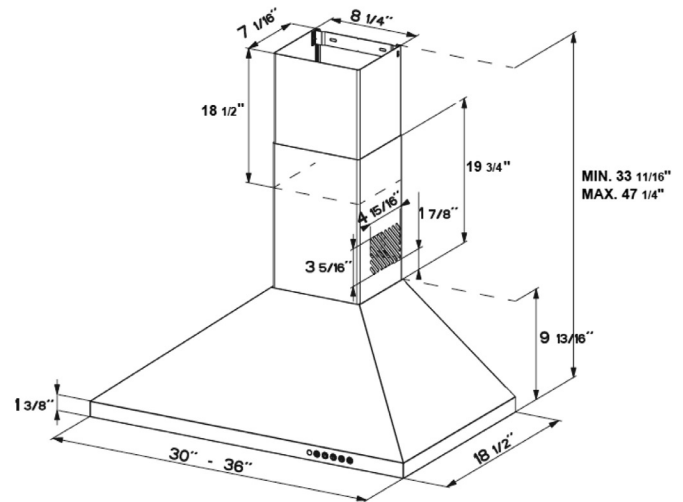
CLASSICA PLUS WALL RANGE HOOD

FABER
AIR MATTERS

SPECIFICATIONS

min. / max. ceiling height	8' 3" 11/16" - 9' 5 1/4"
convertible to ductless / recirculating	yes - kit sold separately
canopy depth / height	18 1/2" d / 9 13/16" h
high ceiling kit	yes - reaches up to 11' ceilings
Variable Air Management	yes (set to 295, 395, 600 CFM)
controls	4 speed electronic w/ white LED
lighting	2 x 1 (w) LED
ducting top	6" round
grease filters	dishwasher safe mesh
10 minute intensive speed	yes
15 minute auto shut off	yes
ADA compliant	yes (with remote control purchase)
power cord included	yes
AC power	320 watts / 2.7 amps

DIMENSIONS



PERFORMANCE

	SPEED	1	2	3	BOOST
CFM		150	295	395	560
sones		2.8	4.3	6.0	7.5

ACCESSORIES

FILTER1 - Charcoal Filter Kit

High quality charcoal filter for use when recirculating the air back into the kitchen. Filters out odor and should be replaced every 6 months

HIGHCLPL - High Ceiling Kit

High ceiling kit replaces both the upper & lower chimney with 2 taller chimneys (32" each) to reach up to 11'

DUCTCLPL - Ductless Conversion Kit

To convert the Tender to ductless, this kit includes charcoal filters and a diverter to send the air thru the side grates on the lower chimney

CHIMCLPL - Lower Chimney Kit (no grids)

Replace the included lower chimney with holes with a chimney without holes

REMCTRL2 - Remote Control

Control all features of the hood from the convenience of a wireless remote control

WIREBOX - Fixed Wiring Box

Replace the power cord with a hard wired box to power the range hood

MUDAMPER6 / MUDAMPER8 Universal Make-Up Air Damper

Satisfies make-up air requirements, this kit uses an air switch to activate the make-up air damper to open and bring fresh air into the home when the hood fan is on. It then closes tightly when the hood is off. The CFM level is not reduced with this accessory



Rev : 11/20

TEL: (508) 358-5353 • www.faberonline.com

WARNING! Product specifications are subject to change without notification. Consult the installation instructions before you begin installing this range hood. * Check local make up air codes for guidelines.



Imagined in Italy